

# metabo **HPT**

Instruction and safety manual

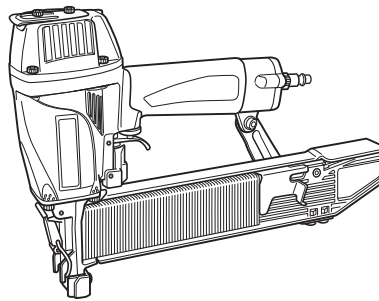
Manuel d'instructions et de sécurité

Instrucciones y manual de seguridad

Model  
Modèle  
Modelo

**N 5008AC2 • N 5010A**

Stapler  
Agrafeuse  
Grapadora



## **⚠ DANGER**

Improper use of this Stapler can result in death or serious injury!  
This Manual contains important information about product safety.  
Read and understand this Manual before operating the Stapler.  
Never allow anyone who has not reviewed this manual to use the tool.  
This manual should be stored in safe place.

## **⚠ DANGER**

Une utilisation incorrecte et sans respecter la sécurité de cette agrafeuse risque d'entraîner la mort ou des blessures graves !  
Ce manuel renferme des instructions importantes sur la sécurité de l'outil.  
Lire et bien assimiler ce manuel avant d'utiliser l'agrafeuse.  
Cet outil ne doit jamais être utilisé par une personne n'ayant pas pris connaissance du manuel.  
Ce mode d'emploi doit être conservé dans un endroit sûr.

## **⚠ PELIGRO**

¡La utilización inadecuada e insegura de esta grapadora puede resultar en lesiones serias o en la muerte!  
Este manual contiene información importante sobre la seguridad del producto.  
Lea y entienda este manual antes de utilizar la grapadora.  
La herramienta no deberá utilizarse sin haber leído previamente este manual.  
Este manual debe ser guardado en un lugar seguro.

## CONTENTS

English	Page	Page	
IMPORTANT SAFETY INFORMATION .....	3	APPLICATIONS .....	11
DEFINITIONS OF SIGNAL WORDS.....	3	BEFORE OPERATION.....	11
EXPLANATION OF THE STAPLING ACTION OF THE metabo HPT STAPLER.....	3	WORKING ENVIRONMENT.....	11
<b>SAFETY</b>		AIR SUPPLY .....	11
IMPORTANT SAFETY INSTRUCTIONS - FOR USING STAPLERS.....	4	LUBRICATION .....	12
RESPONSIBILITIES OF EMPLOYER, TOOL OWNER AND TOOL OPERATOR .....	8	COLD WEATHER CARE .....	12
<b>OPERATION</b>		TESTING THE STAPLER .....	12
NAME OF PARTS .....	9	ADJUSTING AIR PRESSURE .....	13
SPECIFICATIONS.....	10	LOADING STAPLES .....	14
STAPLE SELECTION.....	10	STAPLER OPERATION .....	14
ACCESSORIES.....	11	METHODS OF OPERATION .....	15
STANDARD ACCESSORIES.....	11	ADJUSTING THE STAPLING DEPTH.....	16
OPTIONAL ACCESSORIES .....	11	<b>MAINTENANCE</b>	
		MAINTENANCE AND INSPECTION .....	17
		SERVICE AND REPAIRS .....	18
		PARTS LIST .....	56

## TABLE DES MATIÈRES

Français	Page	Page	
INFORMATION IMPORTANTE DE SÉCURITÉ.....	20	APPLICATIONS .....	28
DEFINITION DES MOTS DE SIGNALISATION .....	20	AVANT L'UTILISATION .....	28
EXPLICATION DE L'ACTION D'AGRAFAGE DE L'AGRAFEUSE metabo HPT .....	20	ENVIRONNEMENT DE TRAVAIL.....	28
<b>SECURITE</b>		ALIMENTATION D'AIR.....	28
CONSIGNES DE SECURITE IMPORTANTES POUR L'UTILISATION DE L'AGRAFEUSE .....	21	GRAISSAGE.....	29
RESPONSABILITÉS DE L'EMPLOYEUR, DU PROPRIÉTAIRE DE L'OUTIL ET DE L'OPÉRATEUR DE L'OUTIL.....	25	ENTRETIEN PAR TEMPS FROID .....	29
<b>UTILISATION</b>		ESSAI DE L'AGRAFEUSE .....	29
NOM DES PIÈCES .....	26	REGLAGE DE LA PRESSION D'AIR.....	31
SPECIFICATIONS.....	27	CHARGEMENT DES AGRAFES .....	31
SELECTION DES AGRAFES.....	27	UTILISATION DE L'AGRAFEUSE .....	31
ACCESSOIRES.....	28	METHODES D'UTILISATION .....	32
ACCESSOIRES STANDARD.....	28	REGLAGE DE LA PROFONDEUR DE AGRAFAGE... 34	
ACCESSOIRES EN OPTION .....	28	<b>ENTRETIEN</b>	
		ENTRETIEN ET INSPECTION.....	35
		ENTRETIEN ET REPARATIONS .....	36
		LISTE DES PIÈCES .....	56

## ÍNDICE

Español	Página	Página	
INFORMACIÓN DE SEGURIDAD		APLICACIONES .....	46
IMPORTANTE.....	38	ANTES DE LA OPERACIÓN.....	46
DEFINICIÓN DE LAS PALABRAS CLAVE .....	38	ENTORNO DE TRABAJO .....	46
EXPLICACIÓN LA ACCIÓN DE GRAPADO DE LA GRAPADORA metabo HPT .....	38	SUMINISTRO DE AIRE .....	46
<b>SEGURIDAD</b>		LUBRICACIÓN .....	47
INSTRUCCIONES IMPORTANTES DE SEGURIDAD PARA LA UTILIZACIÓN DE LA GRAPADORA.....	39	CUIDADOS PARA CLIMAS FRÍOS .....	47
RESPONSABILIDADES DEL EMPLEADOR, EL PROPIETARIO DE LA HERRAMIENTA Y EL OPERADOR DE LA HERRAMIENTA .....	43	PRUEBA DE LA GRAPADORA .....	48
<b>OPERACIÓN</b>		AJUSTE DE LA PRESIÓN DE AIRE.....	49
NOMENCLATURA .....	44	CARGA DE GRAPAS .....	49
ESPECIFICACIONES .....	45	OPERACIÓN DE LA GRAPADORA.....	50
SELECCIÓN DE GRAPAS .....	45	MÉTODOS DE OPERACIÓN .....	50
ACCESORIOS .....	46	AJUSTE DE LA PROFUNDIDAD DE GRAPADO.....	52
ACCESORIOS ESTÁNDAR.....	46	<b>MANTENIMIENTO</b>	
ACCESORIOS OPCIONALES.....	46	MANTENIMIENTO E INSPECCIÓN .....	53
		SERVICIO Y REPARACIONES .....	54
		LISTA DE PIEZAS .....	56

---

## IMPORTANT SAFETY INFORMATION

---



Read and understand tool labels and all of the operating instructions, safety precautions and warnings in this manual before operating or maintaining this Stapler.  
Failure to follow warnings could result in DEATH or SERIOUS INJURY.

Most accidents that result from the operation and maintenance of Staplers are caused by the failure to observe basic safety rules or precautions. An accident can often be avoided by recognizing a potentially hazardous situation before it occurs, and by observing appropriate safety procedures.

Basic safety precautions are outlined in the "SAFETY" section of this Manual and in the sections which contain the operation and maintenance instructions.

Hazards that must be avoided to prevent bodily injury or machine damage are identified by DANGERS and WARNINGS on the Stapler and in this Manual.

**NEVER** use this Stapler for applications other than those specified in this Manual.

---

## DEFINITIONS OF SIGNAL WORDS

---

**DANGER** indicates an imminently hazardous situation which, if not avoided, will result in death or serious injury.

**WARNING** indicates a potentially hazardous situation which, if not avoided, could result in death or serious injury.

**CAUTION** indicates a potentially hazardous situation which, if not avoided, may result in minor or moderate injury, or may cause machine damage.

**NOTE** emphasizes essential information.

---

## EXPLANATION OF THE STAPLING ACTION OF THE metabo HPT STAPLER

---

○ CONTACT ACTUATION MECHANISM:

First, press the push lever against the wood; next, pull the trigger to drive the fastener.

First, pull the trigger; next, press the push lever against the wood to drive the fastener.

If the Trigger is held back, a fastener will be driven each time the Push Lever is pressed against the wood.

## SAFETY

### IMPORTANT SAFETY INSTRUCTIONS-FOR USING STAPLERS

#### INSTRUCTIONS PERTAINING TO A RISK OF FIRE, ELECTRIC SHOCK, OR INJURY TO PERSONS

- **General**

To reduce the risks of electric shock, fire, and injury to persons, **READ ALL THE INSTRUCTIONS BEFORE USING THE TOOL.**

#### ⚠ DANGER

**1. OPERATORS AND OTHERS IN WORK AREA MUST WEAR EYE PROTECTION (SAFETY GLASSES WITH SIDE SHIELDS).**



When operating the Stapler, always wear safety glasses with side shields, and make sure others in work area wear safety glasses, too.

Safety glasses must conform to the requirements of American National Standards Institute, ANSI Z87.1 and provide protection against flying particles both from the front and side.

Ordinary eyeglasses do not provide adequate protection.

The employer must enforce the use of safety glasses by the Stapler operator and others in work area.

**2. NEVER USE REACTIVE GASES OR OTHER BOTTLED GASES. EXPLOSION MAY OCCUR.**



Never use reactive gases such as oxygen, combustible gases or any other bottled gases as a power source for the Stapler.

Use of the above gases is dangerous, as the Stapler will explode.

Use only clean, dry, regulated compressed air.

#### ⚠ WARNING

**3. NEVER POINT TOOL AT YOURSELF OR OTHERS IN WORK AREA.**



Always assume that the Stapler contains fasteners.

Never point the Stapler toward yourself or others, whether it contains fasteners or not.

If fasteners are mistakenly driven, it can lead to severe injuries.

Never engage in horseplay with the Stapler.

Respect the Stapler as a working implement.

**4. DO NOT PLACE FINGER ON TRIGGER AND KEEP FINGERS AWAY FROM TRIGGER WHEN NOT DRIVING FASTENERS TO AVOID ACCIDENTAL DISCHARGE.**

Never carry the Stapler with finger on Trigger since you could drive a fastener unintentionally and injure yourself or someone else.

Always carry the Stapler by the handle only.

**5. KNOW AND UNDERSTAND WHAT TRIGGER SYSTEM YOU ARE USING.**

Read and understand section titled "METHODS OF OPERATION." (pages 15 – 16)

**6. DO NOT MAKE CONTACT WITH SAFETY TIP (PUSH LEVER) WHEN NOT DRIVING FASTENERS.**

## SAFETY — Continued

### ⚠ WARNING

When using tools, basic precautions should always be followed, including the following:

#### 1. Work area

- (1) **Keep the work area clean and well lighted.**

Cluttered benches and dark areas increase the risks of electric shock, fire, and injury to persons.

- (2) **Do not operate the Stapler in explosive atmospheres, such as in the presence of flammable liquids, gases, or combustible dust.**

The Stapler is able to create sparks resulting in the ignition of the dust or fumes.

- (3) **Keep bystanders, children, and visitors away while operating the Stapler.** Distractions are able to result in the loss of control of the Stapler.

#### 2. Personal safety

- (1) **Stay alert. Focus on your work and use common sense when working with the Stapler. Do not use the Stapler while tired, after having consumed drugs or alcohol, or while under the influence of medication.**

A moment of inattention while operating the Stapler increases the risk of injury to persons.

- (2) **Dress properly. Do not wear loose clothing or jewelry. Contain long hair. Keep hair, clothing, and gloves away from moving parts.**

Loose clothes, jewelry, or long hair increases the risk of injury to persons as a result of being caught in moving parts.

- (3) **Avoid unintentional starting. Be sure the switch is off before connecting to the air supply.** Do not carry the Stapler with your finger on the switch or connect the Stapler to the air supply with the switch on.

- (4) **⚠ WARNING** – **Disconnect the Stapler from the air source before making adjustments, doing Stapler maintenance, clearing jams, touching the Push Lever, when not in use, leaving work area, leaving the Stapler outside of the operator's supervision or control, loading, or unloading the Stapler, handing it to another person, elevating, lowering or otherwise moving the Stapler to a new location.** Never attempt to clear a jam or repair the Stapler unless you have disconnected air hose from the Stapler and removed all remaining fasteners from the Stapler. The Stapler

should never be left unattended since people who are not familiar with the Stapler might handle it and injure themselves.

Such precautionary measures reduce the risk of injury to persons.

- (5) **Do not overreach. Keep proper footing and balance at all times.** Proper footing and balance enables better control of the Stapler in unexpected situations.

- (6) **Use safety equipment.** A dust mask, non-skid safety shoes and a hard hat must be used for the applicable conditions.

- (7) **⚠ WARNING** – **Risk of hearing loss. Wear hearing protection.** Hearing protection shall have a Noise Reduction Rating (NRR) determined in accordance with US Environmental Protection Agency rules that is appropriate for noise exposure.

- (8) **Always wear head protection. Always wear head protection to protect your head from flying objects.**

- (9) **Do not attach the hose or Stapler to your body.** Attach the hose to the structure to reduce the risk of loss of balance if the hose shifts.

- (10) **⚠ WARNING** – **Drive Staples into proper work surface only.** Do not drive staple into other staples. This is able to cause the fastener to be deflected and hit someone, or cause the Stapler to react and result in a risk of injury to persons.

#### 3. Stapler use and care

- (1) **Use clamps or another practical way to secure and support the workpiece to a stable platform.**

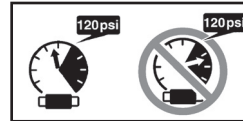
Holding the work by hand or against the body is unstable and is able to lead to loss of control.

- (2) **Do not force the Stapler.** Use the correct Stapler for the application. The correct Stapler will do the job better and safer at the rate for which the Stapler is designed.

## SAFETY — Continued

### ⚠ WARNING

- (3) **Do not use the Stapler if the switch does not turn the Stapler on or off.** Any Stapler that cannot be controlled with the switch is dangerous and must be repaired.  
**Never use Stapler which is defective or operating abnormally.** If the Stapler appears to be operating unusually, making strange noises, or otherwise appears defective, stop using it immediately and arrange for repairs by a metabo HPT authorized service center.
- (4) **Disconnect the Stapler from the air source before making any adjustments, changing accessories, or storing the Stapler.** Such preventive safety measures reduce the risk of starting the Stapler unintentionally.
- (5) **Store the Stapler when it is idle out of reach of children and other untrained persons.** A Stapler is dangerous in the hands of untrained users.
- (6) **Maintain the Stapler with care.** Keep the Stapler Clean and lubricated for better and safer performance.
- (7) **Check for misalignment or binding of moving parts, breakage of parts, and any other condition that may affect the Stapler's operation.**  
 If damaged, have the Stapler serviced before using. Because of high air pressure in the Stapler, cracks in the surface are dangerous. To avoid this, do not drop the Stapler or strike the Stapler against hard surfaces; and do not scratch or engrave signs on the Stapler. Many accidents are caused by poorly maintained Staplers. There is a risk of bursting if the Stapler is damaged.
- (8) **Do not use the Stapler that is not in proper working order. Tags and physical segregation shall be used for control.**
- (9) **Use only accessories that are identified by metabo HPT for the specific Stapler.** Use of an accessory not intended for use with the specific Stapler, increases the risk of injury to persons.
- (10) **Use only those fasteners listed in the Accessories section of this manual.** Fasteners not identified for use with this Stapler by metabo HPT are able to result in a risk of injury to persons or Stapler damage when used in this Stapler.
- 4. Service**
- (1) **Tool service must be performed only by qualified repair personnel.**
- (2) **When servicing a Stapler, use only identical replacement parts. Use only authorized parts.**
- (3) **Use only the lubricants supplied with the Stapler or specified by metabo HPT.**
- 5. Air source**
- (1) **Never connect to an air source that is capable of exceeding 200 psi (13.7 bar 14 kgf/cm<sup>2</sup>) if a regulator fails.**  
 Over pressurizing the Stapler is able to result in bursting, abnormal operation, breakage of the Stapler or serious injury to persons.



**DO NOT EXCEED 120 psi (8.3 bar 8.5 kgf/cm<sup>2</sup>).**

Use only clean, dry, regulated compressed air at the rated pressure or within the rated pressure range as marked on the Stapler.

Always verify prior to using the Stapler that the air source has been adjusted to the rated air pressure or within the rated air-pressure range.

- (2) **Never use reactive gases such as oxygen, carbon dioxide, combustible gases or any bottled gas as an air source for the Stapler.** Such gases are capable of explosion and serious injury to persons.

**6. Others**

- (1) **Be careful of double fire and being hit by the Stapler due to spring back ("recoil").**

After driving a staple, the Stapler may recoil causing it to move away from the work surface.

To reduce risk of injury always manage recoil by:

- 1) always maintaining control of the Stapler.
- 2) allowing recoil to move the Stapler away from work surface.

## SAFETY — Continued

### ⚠ WARNING

- 3) not resisting recoil such that the Stapler will be forced back into the work surface. In “CONTACT ACTUATION MECHANISM”, if push lever is allowed to re-contact work surface before the trigger is released, an unintended discharge of a staple will occur. In order to avoid this undesirable double fire,
    - Intermittent operation (Trigger fire)
      - ① Pull the trigger rapidly and firmly.
      - ② Release the trigger QUICKLY.
    - Continuous operation (Push lever fire)
      - ① Do not press the Stapler against the wood with excessive force.
      - ② Separate the Stapler from the wood as it recoils after stapling
  - 4) keeping face and body parts away from the Stapler.
- (2) Never Use NON relieving coupler on Stapler.** If a non relieving coupler is used on the Stapler, the Stapler can remain charged with air after disconnecting and thus will be able to drive a fastener even after disconnecting. The Stapler and air hose must have a hose coupling such that all pressure is removed from the Stapler when the coupling joint is disconnected.
- (3) Check Push Lever before use.** Make sure the Push Lever operates properly, and is not inoperable, disconnected, or altered. (The Push Lever may be called “Safety”.) Never use the Stapler unless the Push Lever is operating properly, otherwise the Stapler could drive a fastener unexpectedly. Do not tamper with or remove the Push Lever, or otherwise cause the Push Lever to become inoperable.
- (4) Keep all screws and covers tightly in place.** Keep all screws and covers tightly mounted. Check their condition periodically. Never use the Stapler if parts are missing or damaged.
- (5) Do not load fasteners with Trigger or Push Lever depressed.** When loading fasteners into the Stapler or when connecting the air hose,
- 1) do not depress the Trigger;
  - 2) do not depress the Push Lever; and
  - 3) keep the Stapler pointed downward.
- (6) Keep hands and body away from firing head during use.** Never place your hands or feet closer than 8 inches (200 mm) from the firing head. A serious injury can result if the fasteners are deflected by the workpiece, or are driven away from the point of entry.
- (7) When working close to an edge of a workpiece or at steep angles, or driving fasteners into thin workpiece use care to minimize chipping, splitting or splintering, or free flight, ricochet or piercing of fasteners, which may cause injury.**
- (8) Never drive fasteners from both sides of a wall at the same time.** The fasteners can be driven into and through the wall and hit a person on the opposite side.
- (9) Use extra caution when driving the Stapler into existing walls or other blind areas to prevent contact with hidden objects or persons on other side (eg., wires, pipes).**
- (10) Check for live wires.** Avoid the risk of severe electrical shock by checking for live electrical wires that may be hidden by walls, floors or ceilings. Turn off the breaker switch to ensure there are no live wires.
- (11) Do not lift, pull or lower the Stapler by the hose.**
- (12) Do not disconnect air hose from Stapler with finger on Trigger.** The Stapler can fire when reconnected to An air supply.
- (13) Handle Stapler correctly.** Operate the Stapler according to this Manual. Never allow the Stapler to be operated by children, individuals unfamiliar with its operation or unauthorized personnel.
- (14) Never use Stapler for applications other than those specified in this manual.**
- (15) Never modify or alter a Stapler.** Doing so may cause it to malfunction and personal injuries may result.

## **SAFETY** — Continued

### **RESPONSIBILITIES OF EMPLOYER, TOOL OWNER AND TOOL OPERATOR**

1. Ensure that this MANUAL is available to operators and personnel performing maintenance.
2. Train the operator in the safe use of the Stapler as described in this MANUAL.
3. Ensure that only persons who have read and understand this MANUAL operate the Stapler.
4. Ensure that Staplers are used only when operators and others in work area are wearing EYE PROTECTION, and other appropriate personal protective equipment such as HEAD, HEARING, FOOT PROTECTION.
5. Enforce the use of EYE PROTECTION by operators and others in work area.
6. Ensure that Staplers are kept in safe working order as described in this MANUAL.
7. Maintain Staplers properly.
8. Ensure that only qualified personnel shall repair Staplers.
9. Ensure that Staplers that require repair are removed from service and that tags and physical segregation are used as a means of control.

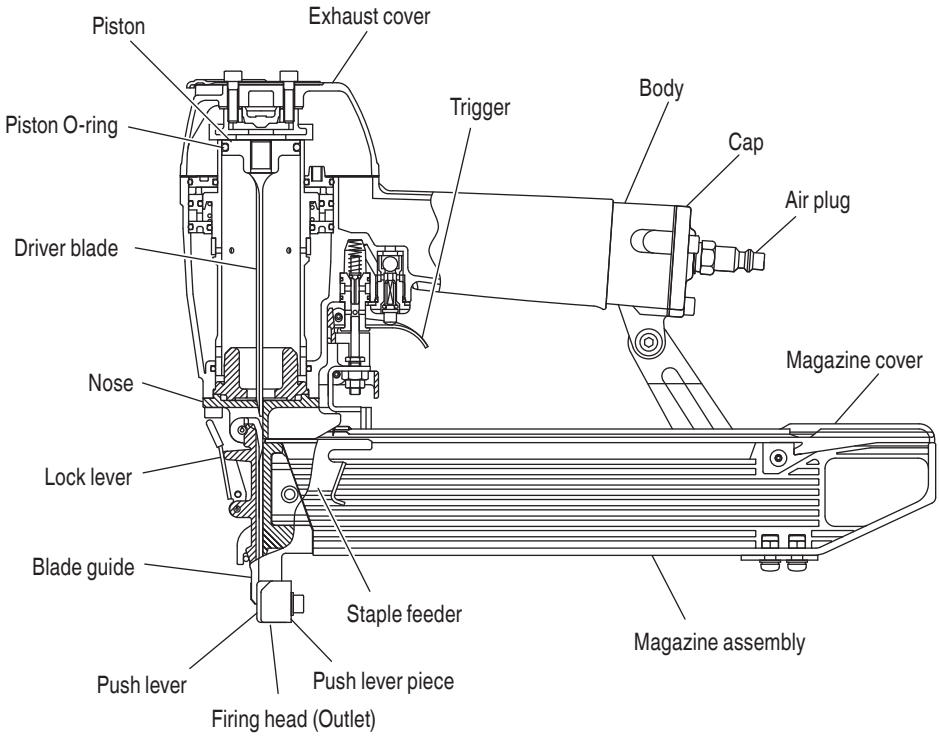
**SAVE THIS MANUAL AND  
KEEP IT AVAILABLE FOR OTHERS!**



## OPERATION

**NOTE:** The information contained in this Manual is designed to assist you in the safe operation of the Stapler.  
Some illustrations in this Manual may show details or attachments that differ from those on your own Stapler.

### NAME OF PARTS



**SPECIFICATIONS**

Operating pressure	70 – 120 psi (4.9 – 8.3 bar 5 – 8.5 kgf/cm <sup>2</sup> )
Dimensions Length x Height x Width	14-3/8" x 10-5/32" x 3" (365 mm x 258 mm x 76 mm)
Weight	4.4 lbs. (2.0 kg)
Staple capacity	150 Staples
Air consumption	.040 ft <sup>3</sup> /cycle at 100 psi (1.1 ltr/cycle at 6.9 bar) (1.1 ltr/cycle at 7 kgf/cm <sup>2</sup> )

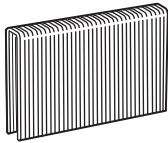
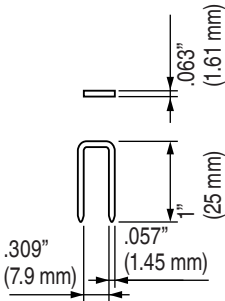
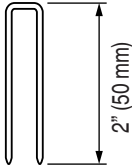
**STAPLE SELECTION**

**⚠ WARNING**

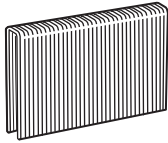
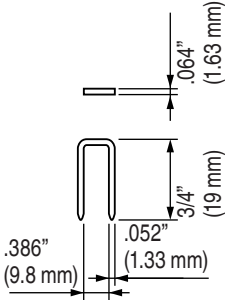
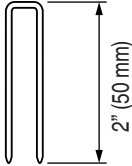
- Be sure to use only the genuine metabo HPT staples for the N5008AC2, N5010A. The use of any other staples can result in tool malfunction and/or staple breakdown, leading to serious injuries.

Only staples shown in the Table below can be driven with this Stapler.

**Dimensions of staples for N5008AC2**

16 Gauge 7/16" Crown staple	Min.	Max.
		

**Dimensions of staples for N5010A**

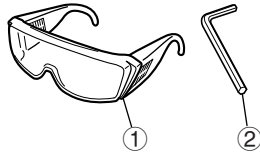
16 Gauge 1/2" Crown staple	Min.	Max.
		

**ACCESSORIES**

**⚠ WARNING**

- Accessories other than those shown below can lead to malfunction and resulting injuries.

**STANDARD ACCESSORIES**



- ① Eye protection ..... 1
- ② Allen wrench for M5 screw ..... 1

**OPTIONAL ACCESSORIES** ... sold separately

- Sequential Trip Mechanism Kit (Single Shot Parts) (Code No. 876762)
- Pneumatic Tool Lubricant
  - 1 oz. (30 cc) oil feeder (Code No. 877153)
  - 4 oz. (120 cc) oil feeder (Code No. 874042)
  - 1 quart (1 ltr) can (Code No. 876212)

**NOTE:** Accessories are subject to change without any obligation on the part of metabo HPT.

**APPLICATIONS**

- Construction work such as wall sheathing, roof decking, subflooring.
- Mobile and modular home construction.
- Making wooden boxes, and expendable pallets.

**BEFORE OPERATION**

Read section titled “SAFETY” (pages 4 – 8).

Make sure of the following before operation.

**WORKING ENVIRONMENT**

**⚠ WARNING**

- No flammable gas, liquid or other flammable objects at worksite.
- Clear the area of children or unauthorized personnel.

**AIR SUPPLY**

**⚠ DANGER**

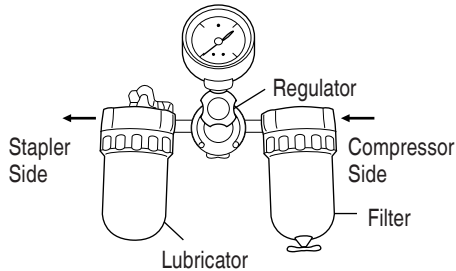


- NEVER use reactive gases or other bottled gases. Explosion may occur.

**⚠ WARNING**

- Never connect Stapler to pressure which potentially exceeds 200 psi (13.7 bar 14 kgf/cm<sup>2</sup>) if a regulator fails.
- Never use non relieving coupler on Stapler.

1. Power source
  - Use only clean, dry, regulated compressed air as a power source for this Stapler.
  - Air compressors used to supply compressed air to this Stapler must comply with the requirements of the latest version of ANSI Standard B 19.3 “Safety Standard For Compressors For Process Industries.”
  - Moisture or oil in the air compressor may accelerate wear and corrosion in the Stapler. Drain daily.
2. Filter-Regulator-Lubricator
  - Use a regulator with a pressure range of 0 – 120 psi (0 – 8.3 bar 0 – 8.5 kgf/cm<sup>2</sup>).
  - Filter-regulator-lubricator units supply an optimum condition for the Stapler and extend the Stapler life. These units should always be used.
    - Filter .....The filter removes moisture and dirt mixed in compressed air. Drain daily unless fitted with an automatic drain. Keep the filter clean by regular maintenance.
    - Regulator.....The regulator controls the operating pressure for safe operation of the Stapler. Inspect the regulator before operation to be sure it operates properly.
    - Lubricator .....The lubricator supplies an oil mist to the Stapler. Inspect the lubricator before operation to be sure the supply of lubricant is adequate. Use metabo HPT pneumatic tool lubricant.



3. Air hose  
Compressed air supply hoses shall have a minimum working pressure rating equal to or greater than the pressure from the power source if a regulator fails, or 150 psi (10.4 bar 10.6 kgf/cm<sup>2</sup>), whichever is greater.
4. Air consumption  
Using the Air consumption table and the Air compressor size formula, find a correct compressor size.

Air consumption table

Operating pressure	psi	80	90	100
	(bar)	(5.5)	(6.2)	(6.9)
	(kgf/cm <sup>2</sup> )	(5.6)	(6.3)	(7)
Air consumption	ft <sup>3</sup> /cycle	.028	.032	.039
	(ltr/cycle)	(.8)	(.9)	(1.1)

#### Air compressor size formula

Amount of air required  
=number of Staplers  
x average staples driven each minute per Stapler  
x air consumption at given air pressure  
x safety factor (always 1.2)

Example: 3 Staplers (N5010A) operating at 100 psi driving 30 staples per minute

Amount of air required  
=3 x 30 x .039 (1.1) x 1.2  
=4.2 CFM (ft<sup>3</sup>/min) (119 ltr/min)

After making the calculations as shown above, you should find a compressor providing 4.2 CFM of air that is required.

#### LUBRICATION

It is important that the Stapler be properly lubricated. Without proper lubrication, the Stapler will not work properly and parts will wear prematurely.

- Use metabo HPT pneumatic tool lubricant. Do not use detergent oil or additives. These lubricants will harm the O-rings and other rubber parts. This will cause the Stapler to malfunction.

- Filter-regulator-lubricator units should always be used. Keep the lubricator filled with metabo HPT pneumatic tool lubricant.
- If a lubricator is not available, supply 5 – 10 drops of metabo HPT pneumatic tool lubricant into the air plug on the Stapler twice a day.

#### COLD WEATHER CARE

- Do not store the Stapler in a cold weather environment. Keep the Stapler in a warm area until beginning the work.
- If the Stapler is already cold, bring it in a warm area and allow the Stapler to warm up before use.
  - ① Reduce the air pressure to 64 psi (4.4 bar 4.5 kgf/cm<sup>2</sup>).
  - ② Remove all staples from the Stapler.
  - ③ Connect the air hose and free-fire (blank-fire) the Stapler. The lowered air pressure will be enough to free-fire the Stapler. Slow speed operation tends to warm up the moving part.

#### ⚠ CAUTION

- Do not free-fire the Stapler at high pressure.

#### TESTING THE STAPLER

##### ⚠ DANGER



- Operators and others in work area **MUST wear safety glasses with side shields which conforms to ANSI Z87.1 specifications.** Ordinary eyeglasses do not provide adequate protection.

##### ⚠ WARNING

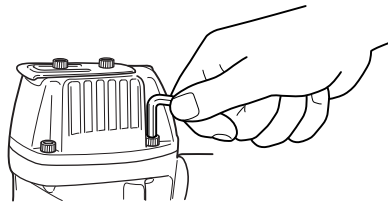
- Never use Stapler unless push lever is operating properly.

Before actually beginning the stapling work, test the Stapler by using the checklist below. Conduct the tests in the following order.

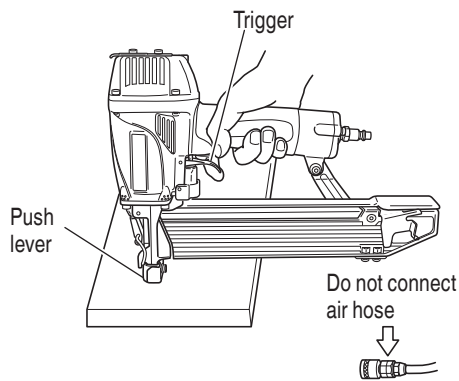
If abnormal operation occurs, stop using the Stapler and contact a metabo HPT authorized service center immediately.

- (1) DISCONNECT AIR HOSE FROM STAPLER.  
REMOVE ALL STAPLES FROM STAPLER.

- ALL SCREWS MUST BE TIGHTENED.  
If any screws are loose, tighten them.



- THE PUSH LEVER AND TRIGGER MUST MOVE SMOOTHLY.



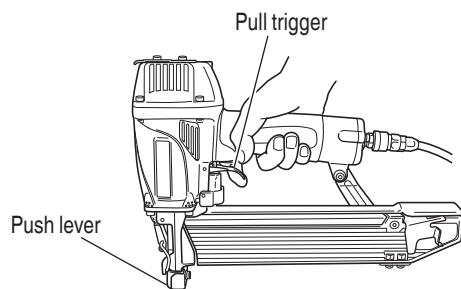
- (2) Adjust the air pressure to 70 psi (4.9 bar 5 kgf/cm<sup>2</sup>).  
Connect the air hose.

Do not load any staples in the Stapler.

- THE STAPLER MUST NOT LEAK AIR.

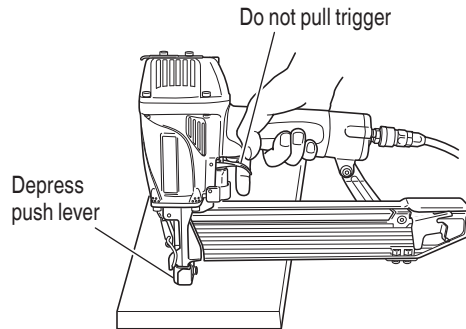
Hold the Stapler downward and pull the trigger.

- THE STAPLER MUST NOT OPERATE.



- (3) With finger off the trigger, depress the push lever against the workpiece.

- THE STAPLER MUST NOT OPERATE.



- (4) Without touching the trigger, depress the push lever against the workpiece.  
Pull the trigger.

- THE STAPLER MUST OPERATE.

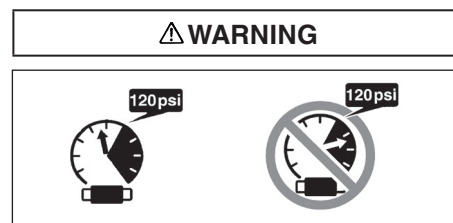
- (5) With the Stapler off the workpiece, pull the trigger.  
Depress the push lever against the workpiece.

- THE STAPLER MUST OPERATE.

- (6) If no abnormal operation is observed, you may load staples in the Stapler.  
Drive staples into the workpiece that is the same type to be used in the actual application.

- THE STAPLER MUST OPERATE PROPERLY.

#### ADJUSTING AIR PRESSURE



- Do not exceed 120 psi (8.3 bar 8.5 kgf/cm<sup>2</sup>).

Adjust the air pressure at recommended operating pressure 70 – 120 psi (4.9 – 8.3 bar 5 – 8.5 kgf/cm<sup>2</sup>) according to the length of staples and the hardness of workpiece.

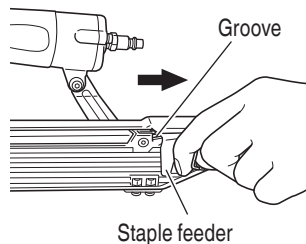
The correct air pressure is the lowest pressure which will do the job. Using the Stapler at a higher than required air pressure unnecessarily over stresses the Stapler.

## LOADING STAPLES

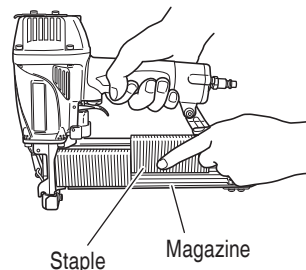
### ⚠ WARNING

- When loading staples into Stapler,
  - 1) do not pull trigger;
  - 2) do not depress push lever; and
  - 3) keep Stapler pointed downward.

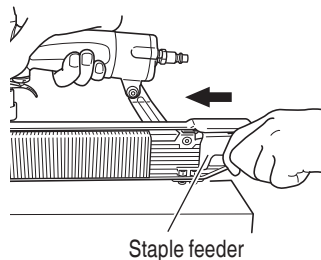
- (1) Pull the staple feeder backward and attach it securely to a groove of the magazine.



- (2) Place the staple strip over the magazine. Make sure that the staple strip slides freely on the magazine.



- (3) Pull the staple feeder backward. Then, detach it from the groove of magazine and softly bring the staple back as if it were being gently pushed, avoiding any impact.



The Stapler is now ready to operate.

### ⚠ CAUTION

If the staple feeder is released all of a sudden, it can return abruptly, causing deformation and/or scatter, eventually ending up in clogged staples. Be absolutely sure to bring back the staple feeder, avoiding any impact.

## STAPLER OPERATION

Read section titled "SAFETY"(pages 4 – 8).

### ⚠ DANGER



- Operators and others in work area **MUST** wear safety glasses with side shields which conforms to ANSI Z87.1 specifications. Ordinary eyeglasses do not provide adequate protection.

### ⚠ WARNING



- Only person who have read and understand this **MANUAL** should operate the Stapler.
- **NEVER** point tool at yourself or others in work area.
- Keep fingers **AWAY** from trigger when not driving staples to avoid accidental discharge.
- Know and understand what trigger system you are using. Please read and understand "METHODS OF OPERATION" found below.
- Never place your hands or body closer than 8 inches (200 mm) from firing head when using.
- Do not drive staples into other staples; staples can ricochet and hurt someone.
- Do not actuate Stapler unless Stapler is placed firmly against the workpiece.
- In order to avoid double fire or unwanted ejection of a staple due to bouncing of the Stapler,
  - 1) do not push Stapler on workpiece with strong force;
  - 2) take Stapler away from workpiece using recoil;
  - 3) release trigger quickly when performing trigger fire.

- When working close to an edge of a workpiece or at steep angles, or driving fasteners into thin workpiece use care to minimize chipping, splitting or splintering, or free flight, ricochet or piercing of fasteners, which may cause injury.
- Never drive staples from both sides of a wall at the same time. Staples can be driven into and through the wall and hit a person on the opposite side.
- Never use Stapler which is defective or operating abnormally.
- Do not use Stapler as hammer.
- Disconnect air hose from Stapler when:
  - 1) it is not in use;
  - 2) leaving work area;
  - 3) elevating, lowering or otherwise moving it to another location;
  - 4) handing it to another person;
  - 5) performing any maintenance or repairs;
  - 6) clearing a jam;
  - 7) Stapler is outside of the operator's supervision or control;
  - 8) removing staples from the magazine; and
  - 9) adjusting stapling depth;

This metabo HPT Stapler has a STANDARD CONTACT TRIP MECHANISM (Bounce Fire). An OPTIONAL SEQUENTIAL TRIP MECHANISM kit (SINGLE SHOT) is available as order part number 876762.

THE STANDARD CONTACT TRIP MECHANISM (Bounce Fire) is for use where rapid fastener placement is desired and must be operated in accordance with the following "Methods of Operation".

#### METHODS OF OPERATION

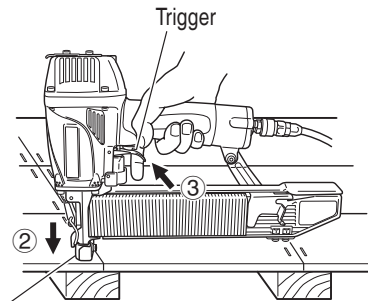
This Stapler is equipped with the push lever and does not operate unless the push lever is depressed (upward position).

There are two methods of operation to drive staples with this Stapler.

They are:

1. Intermittent operation (Trigger fire);
  2. Continuous operation (Push lever fire);
- (1) Intermittent operation (Trigger fire)
- ① Position the staple outlet on the workpiece with finger off the trigger.
  - ② Depress the push lever firmly until it is completely depressed.
  - ③ Pull the trigger to drive a staple.
  - ④ Remove finger from the trigger.

To drive another staple, move the Stapler along the workpiece and repeat this procedure.



- (2) Continuous operation (Push lever fire)

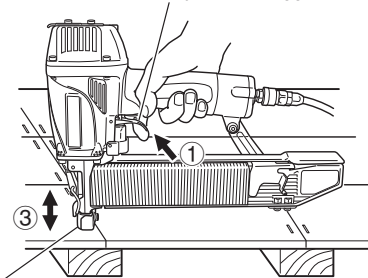
#### ⚠ WARNING

- To avoid double firing or accidental firing due to recoil.
  - 1) Do not press the stapler against the workpiece with excessive force.
  - 2) Separate the stapler from the workpiece as it recoils after stapling.

- ① Pull the trigger with the Stapler off the workpiece.
- ② Depress the push lever against the workpiece to drive a staple.
- ③ Move the Stapler along the workpiece with a bouncing motion. Each depression of the push lever will drive a staple.

As soon as the desired number of staples have been driven, remove finger from the trigger.

Previously pull the trigger



Push lever

**⚠ WARNING**

- Keep your finger off the trigger except during fastening operation, because serious injury could result if the push lever accidentally contacts you or others in work area.
- Keep hands and body away from the discharge area. The Stapler with contact trip mechanism may bounce from the recoil of driving a fastener and unwanted subsequent fastener may be driven, possibly causing injury.
- Some types of loaded staples can spark out of the muzzle during a staple driving operation. Exercise caution!

THE OPTIONAL SEQUENTIAL TRIP MECHANISM (SINGLE SHOT PARTS) is for use where precision fastener placement is desired and must be operated in accordance with the following "Method of Operation".

You must first depress the push lever (upward position) where you want to drive a staple and then pull the trigger. After the each staple is driven, completely release the trigger and lift the tool off the work surface. An OPTIONAL SEQUENTIAL TRIP MECHANISM may reduce the possibility of bodily injury to you or others in the work area. This is because it is less likely to drive an unwanted staple if you keep the trigger pulled and accidentally bump the push lever against yourself or others. An OPTIONAL SEQUENTIAL TRIP MECHANISM may also reduce the speed of operation compared to the standard contact trip mechanism.

**NOTE:**

- Both STANDARD CONTACT TRIP MECHANISM and OPTIONAL SEQUENTIAL TRIP MECHANISM are safe if used as described above and according to all warnings and instructions.
- Always handle staples and package carefully. If staples are dropped, collating bond may be broken.
- After stapling:
  - 1) disconnect air hose from the Stapler;
  - 2) remove all staples from the Stapler;
  - 3) supply 5 – 10 drops of metabo HPT pneumatic tool lubricant into the air plug on the Stapler; and
  - 4) open the petcock on the air compressor tank to drain any moisture.

**ADJUSTING THE STAPLING DEPTH**

**⚠ WARNING**

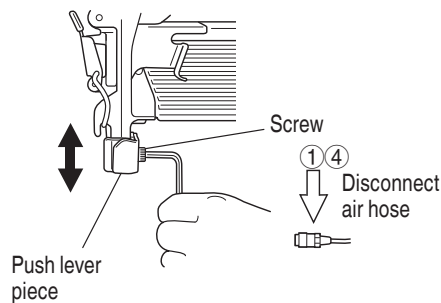
- When adjusting the Adjuster, be sure to remove your finger from the trigger and disconnect the air hose from the stapler.

To assure that each staple penetrates to the same depth, be sure that:

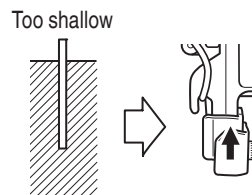
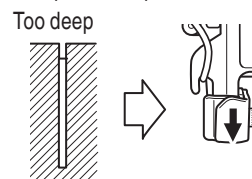
- 1) the air pressure to the Stapler remains constant (regulator is installed and working properly), and
- 2) the Stapler is always held firmly against the workpiece.

If staples are driven too deep or shallow into the workpiece, adjust the stapling in the following order.

- ① DISCONNECT AIR HOSE FROM STAPLER.



- ② To adjust the driven-in depth of a staple, loosen the screw that secures a push lever piece. If the staple is driven in deeply, adjust the push lever piece to "down", and if it's driven in shallowly, adjust the push lever piece to "up".





- ③ Tighten the screw to fasten the push lever piece when a suitable position is reached for a stapling test.
- ④ Connect the air hose.  
ALWAYS WEAR EYE PROTECTOR.  
Perform a stapling test.
- ⑤ DISCONNECT AIR HOSE FROM STAPLER.
- ⑥ Choose a suitable position for the push lever piece.

## MAINTENANCE

### NOTE:

The information contained in this Manual is designed to assist you in the safe maintenance of the Stapler.

Some illustrations in this Manual may show details or attachments that differ from those on your own Stapler.

### MAINTENANCE AND INSPECTION

Read section titled "SAFETY" (pages 4 – 8).

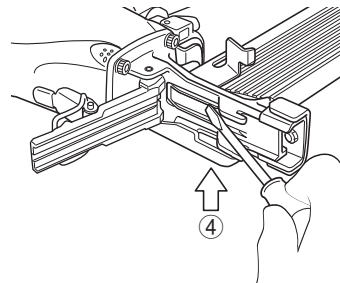
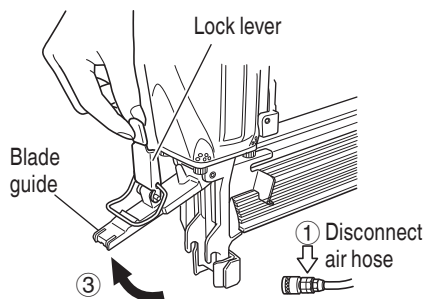
#### ⚠ WARNING

- Disconnect air hose and remove all staples from Stapler when:
  - 1) doing maintenance and inspection; and
  - 2) clearing a jam.

#### 1. Clearing a jam

Remove a jammed staple in the following order:

- ① DISCONNECT AIR HOSE.
- ② Remove all staples.
- ③ Release the lock lever and open the blade guide.
- ④ Remove the jammed staple with a slotted-head screwdriver.
- ⑤ Close the blade guide and latch.
- ⑥ In case of frequent jam, contact a metabo HPT authorized service center.



#### 2. Storing

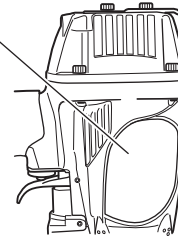
- When not in use for an extended period, apply a thin coat of the lubricant to the steel parts to avoid rust.
- Do not store the Stapler in a cold weather environment.  
Keep the Stapler in a warm area.
- When not in use, the Stapler should be stored in a warm and dry place.  
Keep out of reach of children.

#### 3. WARNING LABEL

Do not use the Stapler with missing or damaged WARNING LABEL.

A new WARNING LABEL is available from a metabo HPT authorized service center.

Warning label



4. Maintenance chart (Page 18)
5. Operator troubleshooting (Page 19)
6. Service parts list
  - A: Item No.
  - B: Code No.
  - C: No. Used
  - D: Remarks

**⚠ CAUTION**

- **Repair, modification and inspection of metabo HPT Power Tools must be carried out by a metabo HPT Authorized Service Center. This Parts List will be helpful if presented with the tool to the metabo HPT Authorized Service Center when requesting repair or other maintenance. In the operation and maintenance of power tools, the safety regulations and standards prescribed in each country must be observed.**

**MODIFICATIONS:**

metabo HPT Power Tools are constantly being improved and modified to incorporate the latest technological advancements. Accordingly, some parts (i.e. code numbers and/or design) may be changed without prior notice.

**SERVICE AND REPAIRS**

**⚠ WARNING**

- **Only service personnel trained by metabo HPT, distributor or employer shall repair the Stapler.**
- **Use only parts supplied or recommended by metabo HPT for repair.**

All quality Staplers will eventually require servicing or replacement of parts because of wear from normal use.

**NOTE:**

Specifications are subject to change without any obligation on the part of metabo HPT.

Maintenance chart

ACTION	WHY	HOW
Drain air line filter daily.	Prevent accumulation of moisture and dirt.	Open manual petcock.
Keep lubricator filled.	Keep the Stapler lubricated.	Fill with metabo HPT pneumatic tool lubricant.
Clean filter element and blow air through filter in direction opposite to normal flow daily.	Prevent clogging of filter with dirt.	Follow manufacturer's instructions.
Clean magazine and feeder mechanism.	Prevent a jam.	Blow clean daily.
Keep push lever working properly.	Promote operator safety and efficient Stapler operation.	Blow clean daily.
Lubricate the Stapler after stapling.	Extend the Stapler life.	Supply 5 – 10 drops of lubricant into the Stapler.
Drain air compressor daily.	Keep the Stapler operated properly.	Open petcock on air compressor tank.

Operator troubleshooting

Most minor problems can be resolved quickly and easily using the table below.

If problems persist, contact a metabo HPT authorized service center for assistance.

PROBLEM	CHECK METHOD	CORRECTION
Stapler operates but no staple is driven.	Check for a jam.	Clean jam per page 17.
	Staple feeder damaged?	Replace staple feeder.
	Ribbon spring weakened or damaged?	Replace ribbon spring.
	Check for proper staples.	Use only recommended staples.
Weak drive. Slow to cycle.	Check air pressure.	Increase air pressure. (Do not exceed 120 psi (8.3 bar 8.5 kgf/cm <sup>2</sup> ))
	Check position of stapling depth adjuster.	Readjust per page 16 – 17.
	————	Use metabo HPT pneumatic tool lubricant.
	Driver blade worn?	Contact metabo HPT for replacement.
	Piston O-ring worn or damaged?	
Drives too deep.	Check air pressure.	Reduce air pressure. (Adjust 70 – 120 psi (4.9 – 8.3 bar 5 – 8.5 kgf/cm <sup>2</sup> ))
	Check position of stapling depth adjuster.	Readjust per page 16 – 17.
Skipping staples. Intermittent feed.	Check for proper staples.	Use only recommended staples.
	Staple feeder damaged?	Replace staple feeder.
	Ribbon spring weakened or damaged?	Replace ribbon spring.
	Piston O-ring worn or damaged?	Contact metabo HPT for replacement.
Staples jam. Driven staple is bent.	Check for proper staples.	Use only recommended staples.
	Driven blade worn?	Contact metabo HPT for replacement.
Drives properly during normal operation, but does not drive fully at faster stapling speeds.	Check inside diameter of air hose.	Use larger air hose.

---

## INFORMATIONS IMPORTANTES DE SÉCURITÉ

---



Lire et bien assimiler toutes les étiquettes de l'outil ainsi que toutes les instructions de fonctionnement, les consignes de sécurité et les avertissements de ce mode d'emploi avant d'utiliser ou d'entretenir cette agrafeuse.

Le non respect des avertissements pourrait entraîner la MORT ou des BLESSURES GRAVES.

La plupart des accidents résultant de l'utilisation ou de l'entretien des agrafeuses sont dus au non respect de certaines consignes et précautions de sécurité élémentaires. Un accident peut souvent être évité en reconnaissant une situation potentiellement dangereuse avant qu'elle ne se produise, et en respectant les procédures de sécurité applicables.

Les consignes de sécurité élémentaires sont données dans la section "SECURITE" du manuel et dans les sections relatives aux instructions d'utilisation et d'entretien.

Les dangers à éviter pour empêcher tout risque de blessures ou de dommage de l'outil sont identifiés par les mots DANGER et AVERTISSEMENT, sur l'agrafeuse et dans ce manuel.

**Ne jamais** utiliser cette agrafeuse pour des applications autres que celles qui sont spécifiées dans ce manuel.

---

## DEFINITION DES MOTS DE SIGNALISATION

---

**DANGER** indique une situation imminente dangereuse qui, si elle n'est pas évitée, entraînera la mort ou des blessures graves.

**AVERTISSEMENT** indique une situation potentiellement dangereuse qui, si elle n'est pas évitée, risque d'entraîner la mort ou des blessures graves.

**ATTENTION** indique une situation potentiellement dangereuse qui, si elle n'est pas évitée, risque d'entraîner des blessures légères ou modérées, ou d'endommager l'outil.

**REMARQUE** met en relief les informations essentielles.

---

## EXPLICATION DE L'ACTION D'AGRAFAGE DE L'AGRAFEUSE metabo HPT

---

○ **MÉCANISME DE DÉCLENCHEMENT PAR CONTACT:**

Appuyer tout d'abord le levier-poussoir contre le bois, puis tirer sur la gâchette pour enfoncer le clou.

Tirer tout d'abord sur la gâchette, puis appuyer le levier-poussoir contre le bois pour enfoncer le clou.

Si la gâchette est maintenue tirée, un clou s'enfonce chaque fois que l'on appuie le levier-poussoir contre le bois.

## SECURITE

### CONSIGNES DE SECURITE IMPORTANTES POUR L'UTILISATION DE L'AGRAFEUSE

#### CONSIGNES RELATIVES À UN RISQUE D'INCENDIE, DE CHOC ÉLECTRIQUE OU DE BLESSURES CORPORELLES

##### ● Généralités

Afin de réduire les risques de choc électrique, d'incendie et de blessures physiques, **LIRE TOUTES LES INSTRUCTIONS AVANT D'UTILISER L'OUTIL.**

#### ⚠ DANGER

1. **LES OPÉRATEURS ET LES AUTRES PERSONNES DANS L'AIRE DE TRAVAIL DOIVENT PORTER UNE PROTECTION OCULAIRE (LUNETTES DE PROTECTION AVEC ÉCRANS LATÉRAUX).**



Quand on utilise l'agrafeuse, toujours porter des lunettes de protection avec visières latérales, et veiller à ce que les autres personnes dans la zone de travail en portent également.

Les lunettes de protection devront respecter les exigences de l'ANSI (American National Standards Institute) Z87.1 et assurer la protection contre les projections de particules arrivant par l'avant et par le côté.

Les lunettes ordinaires ne fournissent pas une protection adéquate.

L'employeur doit veiller à ce que la personne qui utilise l'agrafeuse et les autres personnes dans l'aire de travail portent des lunettes de protection.

2. **NE JAMAIS UTILISER DE GAZ RÉACTIFS NI AUCUN AUTRE GAZ EN BOUTEILLE. IL POURRAIT SE PRODUIRE UNE EXPLOSION.**



Ne jamais utiliser de gaz réactifs (tels que l'oxygène), de gaz combustibles ni aucun autre gaz en bouteille comme source d'alimentation de l'agrafeuse.

L'utilisation de ces gaz serait dangereuse, car l'agrafeuse exploserait. Utiliser exclusivement de l'air comprimé propre, sec et régulé.

#### ⚠ AVERTISSEMENT

3. **NE JAMAIS DIRIGER L'OUTIL VERS SOI NI VERS QUELQU'UN D'AUTRE DANS L'AIRE DE TRAVAIL.**



Toujours supposer que l'agrafeuse renferme des clous.

Ne jamais diriger l'agrafeuse vers soi, ni vers quelqu'un d'autre, qu'elle renferme des clous ou non.

Si l'on enfonce des clous par erreur, cela risque de provoquer des blessures graves.

Ne jamais s'amuser avec l'agrafeuse.

L'agrafeuse est un instrument de travail. Le respecter.

Ne jamais transporter l'outil avec le doigt sur la gâchette, car on risquerait d'enfoncer accidentellement un clou et de se blesser ou de blesser quelqu'un d'autre.

Toujours transporter l'agrafeuse exclusivement par sa poignée.

5. **CONNAÎTRE ET COMPRENDRE LE SYSTÈME DE GÂCHETTE UTILISÉ.**

Lire et bien assimiler la section intitulée "MÉTHODES D'UTILISATION". (pages 32 – 34)

4. **NE PAS PLACER LE DOIGT SUR LA GÂCHETTE ET MAINTENIR LES DOIGTS ÉLOIGNÉS DE CELLE-CI QUAND ON N'EFFECTUE PAS D'AGRAFAGE POUR ÉVITER TOUT RISQUE D'AGRAFAGE ACCIDENTEL.**

6. **NE PAS ENTRER EN CONTACT AVEC L'EMBOUT DE SÉCURITÉ (LEVIER-POUSOIR) QUAND ON N'EFFECTUE PAS DE CLOUAGE.**

## SECURITE — suite

## ⚠ AVERTISSEMENT

Lors de l'utilisation de ces outils, des précautions de base doivent être respectées, notamment:

### 1. Zone de travail

- (1) **Maintenir la zone de travail propre et bien éclairée.**

Les zones sombres et encombrées augmentent les risques de choc électrique, d'incendie ou blessures physiques.

- (2) **Ne pas utiliser l'agrafeuse dans un endroit présentant un risque d'explosion, par exemple en présence de liquides inflammables, de gaz ou de poussières combustibles.**

L'agrafeuse peut provoquer des étincelles susceptibles d'enflammer la poussière ou les vapeurs.

- (3) **Maintenir les passants, enfants et visiteurs à l'écart pendant l'utilisation de l'agrafeuse.** Toute distraction peut provoquer la perte de contrôle de l'agrafeuse.

### 2. Sécurité personnelle

- (1) **Rester sur ses gardes. Se concentrer sur la tâche et faire preuve de bon sens quand on travaille avec l'agrafeuse. Ne pas utiliser l'agrafeuse si on est fatigué, après avoir consommé des drogues ou de l'alcool, ou sous l'influence de médicaments.**

Tout moment d'inattention pendant l'utilisation de l'agrafeuse augmente le risque de blessures physiques.

- (2) **Porter des vêtements appropriés. Ne pas porter de vêtements amples ou de bijoux. Si l'on a les cheveux longs, les maintenir sous un couvrechef. Maintenir les cheveux, vêtements et gants à l'écart des pièces mobiles.**

Les vêtements amples, les bijoux et les cheveux longs augmentent le risque de blessures physiques car ils peuvent être entraînés par les pièces mobiles.

- (3) **Éviter toute mise en marche accidentelle. Vérifier que le commutateur est sur arrêt avant de brancher le tuyau d'air.** Ne pas transporter l'agrafeuse en gardant le doigt sur le commutateur ou raccorder le tuyau d'air quand le commutateur est sur marche.

- (4) **⚠ AVERTISSEMENT** - **Débrancher le tuyau d'air de l'agrafeuse quand on effectue des réglages ou l'entretien, on retire des agrafes**

**coincés, on actionne le levier-poussoir, on ne s'en sert pas, on quitte l'aire de travail, on le laisse hors de la supervision ou du contrôle de l'opérateur, on le charge ou le décharge, on le passe à quelqu'un d'autre, on le soulève ou l'abaisse, ou on le déplace dans un autre endroit.**

Ne jamais essayer de retirer des agrafes coincées ou de réparer l'agrafeuse si le tuyau d'air n'est pas débranché et que les agrafeuses restants n'ont pas été retirées de l'agrafeuse. L'agrafeuse ne doit jamais rester sans surveillance car des personnes non familiarisées avec ce type d'outil pourraient la manipuler et se blesser.

Ces mesures de précaution réduisent le risque de blessures physiques.

- (5) **Ne pas trop se pencher. Conserver une bonne assise et un bon équilibre en permanence.**

Une bonne assise et un bon équilibre favorisent un meilleur contrôle de l'agrafeuse dans des situations inattendues.

- (6) **Utiliser des équipements de sécurité.** Utiliser un masque anti-poussière, des chaussures de sécurité antidérapantes et un casque de sécurité lorsque les conditions l'exigent.

- (7) **⚠ AVERTISSEMENT** - **Risque de perte auditive. Porter une protection auditive.**

La protection auditive doit avoir un CAS (coefficient d'atténuation sonore) déterminé selon les règles de l'Agence américaine de la protection de l'environnement, approprié pour l'exposition au bruit.

- (8) **Toujours porter un casque.**

**Toujours porter un casque pour se protéger la tête contre les projectiles.**

- (9) **Ne pas attacher le tuyau ou l'agrafeuse à votre corps.**

Attacher le tuyau à la structure pour réduire le risque de perte d'équilibre en cas de mouvements brusques du tuyau.

- (10) **⚠ AVERTISSEMENT** - **Enfoncer les agrafes uniquement dans une surface de travail appropriée.** Ne pas enfoncer les agrafes dans d'autres agrafes. Celles-ci pourraient ricocher et blesser quelqu'un, ou provoquer une réaction inattendue de l'agrafeuse susceptible d'entraîner une blessure physique.

## SECURITE — suite

## ⚠ AVERTISSEMENT

**3. Utilisation et entretien de l'agrafeuse**

- (1) **Utiliser des serre-joints ou tout autre moyen pratique pour maintenir la pièce sur une surface stable en toute sécurité.**

Maintenir la pièce à la main ou contre soi est une technique instable et peut provoquer une perte de contrôle.

- (2) **Ne pas forcer sur l'agrafeuse.** Utiliser l'agrafeuse approprié à votre usage. L'agrafeuse approprié effectuera la tâche en toute sécurité selon les spécifications pour lesquelles elle est destinée.
- (3) **Ne pas utiliser l'agrafeuse si le commutateur ne permet pas de la mettre sur marche ou arrêt.** Toute agrafeuse ne pouvant pas être contrôlée par le commutateur est dangereux et doit être réparé.

**Ne jamais utiliser une agrafeuse défectueuse ou qui ne fonctionne pas normalement.** Si l'agrafeuse semble ne pas fonctionner comme d'habitude, qu'elle émet des bruits bizarres ou qu'elle semble défectueuse, cesser immédiatement de l'utiliser et la faire réparer par un service après-vente metabo HPT agréé.

- (4) **Débrancher le tuyau d'air de l'agrafeuse avant de procéder à des réglages, de changer des accessoires ou de la remiser.** Ces mesures de sécurité préventives réduisent le risque de déclenchement accidentel de l'agrafeuse.
- (5) **Remiser l'agrafeuse, lorsqu'elle est inutilisée, hors de portée des enfants et de toute personne non formée à son utilisation.** Une agrafeuse s'avère dangereuse entre les mains de personnes non formées à son utilisation.
- (6) **Entretien soigneusement l'agrafeuse.** Veiller à ce que l'agrafeuse soit toujours propre et graissée pour obtenir un fonctionnement optimal et en toute sécurité.
- (7) **Contrôler tout mauvais alignement ou grippage des pièces mobiles, toute rupture de pièces et toute autre situation pouvant affecter le fonctionnement de l'agrafeuse.**

Si elle est endommagée, faire réparer l'agrafeuse avant toute nouvelle utilisation. En raison de la pression d'air élevée à l'intérieur de l'agrafeuse, les fissures en surface sont dangereuses. Pour éviter tout risque, ne pas faire tomber l'agrafeuse ni la heurter contre des surfaces dures ; et ne pas la rayer ni y graver d'inscriptions. De nombreux accidents sont provoqués par des agrafeuses mal entretenues.

Il y a un risque d'éclatement si l'agrafeuse est endommagée.

- (8) **Ne pas utiliser une agrafeuse en mauvais état de marche. Des étiquettes et une séparation physique doivent être utilisées pour contrôle.**
- (9) **Utiliser exclusivement des accessoires fournis ou recommandés par metabo HPT pour cette agrafeuse spécifique.** L'utilisation d'un accessoire non destiné à cette agrafeuse spécifique augmente le risque de blessures physiques.
- (10) **Utiliser exclusivement les clous mentionnés dans la section Accessoires du présent manuel.** Les agrafeuses non recommandés par metabo HPT en vue d'une utilisation avec cette agrafeuse augmentent le risque de blessures physiques ou peuvent endommager l'agrafeuse.

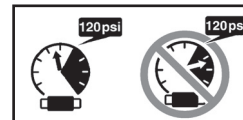
**4. Entretien**

- (1) **L'entretien de cet outil doit être confié exclusivement au personnel d'entretien qualifié.**
- (2) **Pour les réparations, utiliser exclusivement des pièces de rechange identiques. Utiliser exclusivement des pièces agréées.**
- (3) **Utiliser exclusivement la graisse fournie avec l'agrafeuse ou recommandée par metabo HPT.**

**5. Alimentation d'air**

- (1) **Ne jamais raccorder l'agrafeuse à une source d'alimentation qui risque de dépasser 200 psi (13.7 bars 14 kgf/cm<sup>2</sup>) si une défaillance du régulateur se produit.**

Une pression excessive à l'intérieur de l'agrafeuse peut provoquer son éclatement, un fonctionnement anormal, la panne de l'agrafeuse ou des blessures physiques graves.



**NE PAS DÉPASSER 120 psi (8.3 bars 8.5 kgf/cm<sup>2</sup>).**

Utiliser exclusivement de l'air comprimé propre, sec et régulé à la pression nominale ou dans la plage de pression nominale indiquée sur l'agrafeuse.

Toujours vérifier, avant d'utiliser l'agrafeuse, que l'alimentation d'air a été ajustée en fonction de la pression d'air nominale ou dans la plage de pression d'air nominale stipulée.

## SECURITE — suite

## ⚠ AVERTISSEMENT

- (2) **Ne jamais utiliser de gaz réactifs (tels que l'oxygène), de dioxyde de carbone, de gaz combustibles ou tout autre gaz en bouteille comme source d'alimentation de l'agrafeuse.** L'utilisation de ces gaz pourrait provoquer une explosion et causer de graves blessures physiques.
- 6. Autres**
- (1) **Faire attention aux doubles activations et aux coups par l'agrafeuse suite au retour brutal (« rappel »).**  
Après avoir enfoncé une agrafe, l'agrafeuse peut effectuer un rappel causant son éloignement de la surface de travail.  
Pour réduire le risque de blessure, toujours gérer le rappel en :
- 1) maintenant toujours le contrôle de l'agrafeuse.
  - 2) laissant le rappel éloigner l'agrafeuse de la surface de travail.
  - 3) ne résistant pas au rappel de sorte que l'agrafeuse sera refoulée contre la surface de travail. Dans « MÉCANISME DE DÉCLENCHEMENT PAR CONTACT », si on laisse le levier-poussoir entrer de nouveau en contact avec la surface de travail avant de relâcher la gâchette, un agrafage imprévu se produira. Afin d'éviter ces doubles activations indésirables,
    - Fonctionnement intermittent (déclenchement par gâchette)
      - ① Tirer sur la gâchette rapidement et fermement.
      - ② Relâcher la gâchette RAPIDEMENT.
    - Fonctionnement continu (déclenchement par levier-poussoir)
      - ① Ne pas appuyer l'agrafeuse trop fort contre le bois.
      - ② Eloigner l'agrafeuse du bois car elle effectue un rappel après l'agrafage.
  - 4) éloignant le visage et les parties du corps de l'agrafeuse.
- (2) **Ne jamais utiliser de coupleur NON dégageant sur l'agrafeuse.** Si l'on utilise un coupleur non dégageant sur l'agrafeuse, celui-là risque de rester chargé d'air après le débranchement et, par conséquent, d'enfoncer une agrafe même après avoir été débranché. L'agrafeuse et le tuyau d'air doivent avoir un coupleur de tuyau de façon à ce que toute la pression soit évacuée de l'agrafeuse quand on débranche le joint de couplage.
- (3) **Vérifier le levier-poussoir avant l'utilisation.** S'assurer que le levier-poussoir fonctionne correctement, et qu'il ne soit pas inutilisable, déconnecté, ou modifié. (Le levier-poussoir est parfois appelé "sécurité".) Ne jamais utiliser l'agrafeuse si le levier-poussoir ne fonctionne pas correctement. Une agrafe pourrait s'enfoncer accidentellement. Ne pas modifier ou retirer le levier-poussoir, car sinon il pourrait devenir inutilisable.
- (4) **Veiller à ce que toutes les vis et les couvercles soient en place et bien serrés.** Veiller à ce que les vis et les couvercles soient solidement fixés. Les vérifier périodiquement. Ne jamais utiliser l'agrafeuse si des pièces sont manquantes ou sont endommagées.
- (5) **Ne pas charger d'agrafes si la gâchette ou le levier-poussoir sont enfoncés.** Quand on charge des agrafes dans l'agrafeuse ou qu'on raccorde le tuyau d'air,
  - 1) ne pas appuyer sur la gâchette;
  - 2) ne pas actionner le levier-poussoir; et
  - 3) diriger l'agrafeuse vers le bas.
- (6) **Éloigner les mains et le corps de la tête d'agrafage pendant l'utilisation.** Ne jamais approcher les mains ni les pieds à moins de 8 pouces (200 mm) de la tête d'agrafage. Il y a un risque de blessure grave si les agrafes sont déviées par la pièce ou qu'elles sont déportées au-delà du point d'entrée.
- (7) **Quand on travaille près du bord d'une pièce ou à un angle prononcé, ou quand on enfonce des agrafes dans une pièce fine, prendre soin de minimiser le déchiquetage, le fractionnement ou l'éclatement, ou le vol libre, le ricochet ou le perçage des agrafes, pouvant provoquer des blessures.**
- (8) **Ne jamais enfoncer de clous des deux côtés d'un mur en même temps.** Les clous pourraient traverser le mur et blesser quelqu'un de l'autre côté.
- (9) **Redoubler de précaution quand on agrafe dans des murs existants ou d'autres zones mortes pour prévenir le contact avec des objets cachés ou des personnes de l'autre côté (par ex., câbles, tuyaux).**



**SECURITE** — suite**⚠ AVERTISSEMENT**

- (10) **Vérifier s'il y a des fils sous tension.** Pour éviter tout risque d'électrocution grave, vérifier s'il y a des fils sous tension dissimulés dans le mur, le plancher ou le plafond. Couper le disjoncteur pour s'assurer qu'il n'y a pas de fils sous tension.
- (11) **Ne pas lever, tirer ou abaisser l'agrafeuse par le tuyau.**
- (12) **Ne pas débrancher le tuyau d'air de l'agrafeuse avec le doigt sur la gâchette.** Le pourrait se déclencher lorsque l'alimentation d'air sera à nouveau raccordée.
- (13) **Manipuler l'agrafeuse correctement.** Utiliser l'agrafeuse en suivant les instructions du manuel. Ne jamais permettre que l'agrafeuse soit utilisée par des enfants, des personnes non familiarisées avec son fonctionnement ou du personnel non autorisé.
- (14) **Ne jamais utiliser l'agrafeuse pour des applications autres que celles spécifiées dans le présent manuel.**
- (15) **Ne jamais modifier ni altérer une agrafeuse.** Cela pourrait provoquer un mauvais fonctionnement et entraîner des blessures physiques.

**RESPONSABILITÉS DE L'EMPLOYEUR, DU PROPRIÉTAIRE DE L'OUTIL ET DE L'OPÉRATEUR DE L'OUTIL**

1. Veiller à ce que ce MANUEL reste à la disposition des personnes qui doivent utiliser ou entretenir l'agrafeuse.
2. Former l'opérateur à l'utilisation sécuritaire de l'agrafeuse comme décrit dans ce MANUEL.
3. Veiller à ce que seules les personnes qui ont lu et compris ce MANUEL utilisent l'agrafeuse.
4. Veiller à ce que les agrafeuses soient utilisées exclusivement lorsque les opérateurs et les autres personnes présentes dans l'aire de travail portent des LUNETTES DE PROTECTION et un autre équipement de protection individuelle approprié comme une PROTECTION POUR LA TÊTE, LES OREILLES ET LES PIEDS.
5. Obliger les opérateurs et les autres personnes présentes dans l'aire de travail à porter des LUNETTES DE PROTECTION.
6. Veiller à ce que les agrafeuses soient conservées en bon état de marche comme décrit dans ce MANUEL.
7. Entretenir les agrafeuses correctement.
8. Veiller à ce que seul le personnel qualifié répare les agrafeuses.
9. Veiller à ce que les agrafeuses qui ont besoin d'être réparées soient retirées du service et que des étiquettes et une séparation physique soient utilisées comme moyen de contrôle.

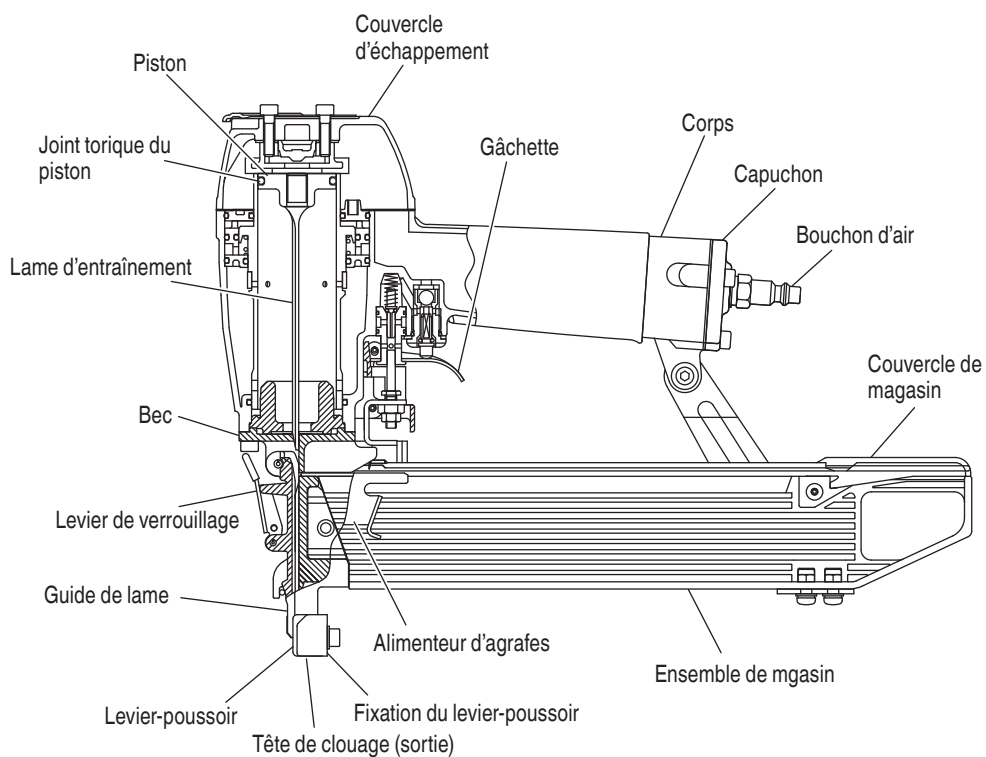
**CONSERVER CE MANUEL ET LE  
METTRE A LA DISPOSITION DES  
UTILISATEURS !**

## UTILISATION

**REMARQUE:** Les informations contenues dans ce manuel ont pour but d'aider l'opérateur à utiliser l'agrafeuse en toute sécurité.

Certaines des illustrations du manuel peuvent montrer des détails ou des accessoires qui diffèrent de ceux de votre agrafeuse.

### NOM DES PIÈCES



### SPECIFICATIONS

Pression d'utilisation	70 – 120 psi (4.9 – 8.3 bar s 5 – 8.5 kgf/cm <sup>2</sup> )
Dimensions Longueur x Hauteur x Largeur	14-3/8" x 10-5/32" x 3" (365 mm x 258 mm x 76 mm)
Poids	4.4 lbs. (2.0 kg)
Contenance d'agrafes	150 Staples
Consommation d'air	.040 ft <sup>3</sup> /cycle à 100 psi (1.1 ltr/cycle à 6.9 bar) (1.1 ltr/cycle à 7 kgf/cm <sup>2</sup> )

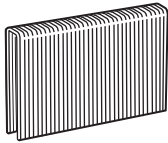
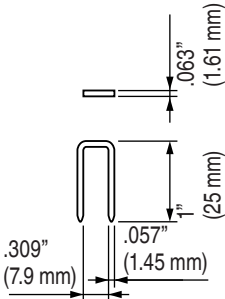
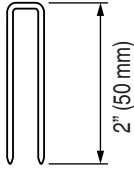
### SELECTION DES AGRAFES

#### ⚠ AVERTISSEMENT

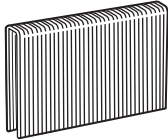
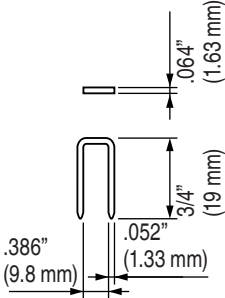
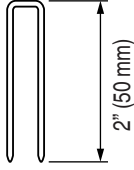
- **Bien utiliser exclusivement les agrafes metabo HPT d'origine avec le N5008AC2, N5010A. L'utilisation d'autres agrafes risque de provoquer un mauvais fonctionnement de l'outil et/ou une rupture des agrafes, et d'entraîner des blessures.**

Seuls les agrafes indiquées dans le tableau ci-dessous pourront être utilisées avec ce agrafeuse.

#### Dimensions des agrafes pour N5008AC2

Agrafe de Calibre 16 Couronne 7/16"	Min.	Max.
		

#### Dimensions des agrafes pour N5010A

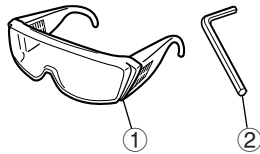
Agrafe de Calibre 16 Couronne 1/2"	Min.	Max.
		

## ACCESSOIRES

### ⚠ AVERTISSEMENT

- Les accessoires autres que ceux indiqués ci-dessous risquent de mal fonctionner et de provoquer des blessures.

### ACCESSOIRES STANDARD



- ① Lunettes de protection ..... 1
- ② Clé Allen pour vis M5..... 1

### ACCESSOIRES EN OPTION

... vendus séparément

- Mécanisme de déclenchement par contact (activation par band) (Code No. 876762)
- Huile de machine pneumatique
  - Alimenteur d'huile 1 oz (30 cc) (Code No. 877153)
  - Alimenteur d'huile 4 oz (120 cc) (Code No. 874042)
  - Alimenteur d'huile 1 quart (1 l) (Code No. 876212)

**REMARQUE:** Les accessoires sont sujets à modification sans préavis et sans aucune obligation de la part de metabo HPT.

## APPLICATIONS

- Travaux de construction tels que revêtements muraux, panneaux de toit, supports de revêtement de sol.
- Constructions de résidences mobiles et modulaires.
- Fabrication de boîtes en bois et de palettes perdues.

## AVANT L'UTILISATION

Lire la section intitulée "SECURITE" (pages 21 – 25).

Bien vérifier les points suivants avant de travailler.

## ENVIRONNEMENT DE TRAVAIL

### ⚠ AVERTISSEMENT

- Pas de gaz ou liquides inflammables, ni aucun autre objet inflammable sur le chantier.
- Evacuer les enfants et les personnes non autorisées de l'aire de travail.

## ALIMENTATION D'AIR

### ⚠ DANGER

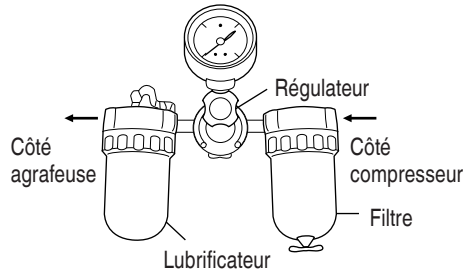


- NE JAMAIS utiliser de gaz réactifs ni aucun autre gaz en bouteille. Il pourrait se produire une explosion.

### ⚠ AVERTISSEMENT

- Ne jamais raccorder l'agrafeuse à une pression qui risque de dépasser 200 psi (13.7 bars 14 kgf/cm<sup>2</sup>) si une défaillance du régulateur se produit.
- Ne jamais utiliser de coupleur non dégageant sur l'agrafeuse.

1. Alimentation
  - Utiliser exclusivement de l'air comprimé propre, sec et régulé avec cette agrafeuse.
  - Les compresseurs d'air utilisés pour alimenter l'air comprimé à l'agrafeuse devront respecter les exigences ANSI B19.3 "Normes de sécurité pour les compresseurs des industries de transformation".
  - L'humidité ou l'huile dans le compresseur d'air peuvent accélérer l'usure et la corrosion de l'agrafeuse. Purger tous les jours.
2. Filtre-régulateur-lubrificateur
  - Utiliser un régulateur d'une pression comprise entre 0 – 120 psi (0 – 8.3 bars 0 – 8.5 kgf/cm<sup>2</sup>).
  - Les unités filtre-régulateur-lubrificateur procureront les conditions optimales de l'agrafeuse et accroîtront sa durée de service. Toujours les utiliser.
    - Filtre .....Le filtre enlève l'humidité et la saleté mélangées à l'air comprimé. Purger tous les jours, sauf si l'outil possède une purge automatique. Nettoyer régulièrement le filtre.
    - Régulateur....Le régulateur contrôle la pression de fonctionnement afin d'assurer la sécurité de l'agrafeuse. Inspecter le régulateur avant le travail pour s'assurer qu'il fonctionne correctement.
    - Inspecter .....Le lubrificateur alimente de l'huile vaporisée à l'agrafeuse. Inspecter le lubrificateur avant le travail pour s'assurer que l'alimentation d'huile est adéquate. Utiliser une huile de machine pneumatique metabo HPT.



3. Tuyau d'air  
Les tuyaux d'alimentation d'air comprimé doivent avoir une pression de travail minimum égale ou supérieure à la pression de la source d'alimentation si une défaillance du régulateur se produit, ou égale ou supérieure à 150 psi (10.4 bar 10.6 kgf/cm<sup>2</sup>), à savoir la plus élevée.
4. Consommation d'air  
Sélectionner la taille du compresseur en se reportant au tableau de consommation d'air et aux formules de taille du compresseur.

Tableau de consommation d'air

Pression de fonctionnement	psi	80	90	100
	(bar)	(5.5)	(6.2)	(6.9)
	(kgf/cm <sup>2</sup> )	(5.6)	(6.3)	(7)
Consommation d'air	ft <sup>3</sup> /cycle	.028	.032	.039
	(ltr/cycle)	(.8)	(.9)	(1.1)

Formules de taille du compresseur d'air

Quantité d'air requise  
= nombre d'agrafes  
× agrafes moyennes enfoncées par minute par l'agrafeuse  
× consommation d'air à une pression donnée  
× facteur de sécurité (toujours 1.2)

Exemple: 3 agrafeuses (N5010A) fonctionnant à 100 psi et enfonçant 30 agrafes par minute

Quantité d'air requise  
= 3 × 30 × .039 (1.1) × 1.2  
= 4.2 CFM (ft<sup>3</sup>/min) (119 l/min)

Effectuer le calcul ci-dessus pour obtenir un compresseur fournissant les 4.2 CFM d'air nécessaires.

**GRAISSAGE**

Il est essentiel que l'agrafeuse soit graissée correctement. Si l'agrafeuse est mal graissée, elle ne fonctionnera pas correctement et les pièces s'useront prématurément.

- Utiliser une huile de machine metabo HPT.  
Ne pas utiliser d'huile détergente ni d'additifs. Ces lubrifiants endommageraient les joints toriques et les autres pièces en caoutchouc. Cela provoquerait un mauvais fonctionnement de l'agrafeuse.
- Toujours utiliser des unités filtre-régulateur-lubrificateur.  
Veiller à ce que le régulateur soit toujours plein d'huile de machine pneumatique metabo HPT.
- Si l'on ne possède pas de lubrificateur, mettre 5 à 10 gouttes d'huile de machine pneumatique metabo HPT dans le bouchon d'air de l'agrafeuse deux fois par jour.

**ENTRETIEN PAR TEMPS FROID**

- Ne pas ranger l'agrafeuse dans un environnement froid.  
La laisser dans un endroit chaud jusqu'à ce que l'on soit prêt à travailler.
- Si l'agrafeuse est déjà froide, l'amener dans un endroit chaud et la laisser réchauffer avant de l'utiliser.
  - ① Réduire la pression d'air à 64 psi (4.4 bars 4.5 kgf/cm<sup>2</sup>).
  - ② Sortir tous les agrafes de l'agrafeuse.
  - ③ Raccorder le tuyau d'air et faire un essai d'agrafage (agrafage à blanc).  
La pression d'air inférieure sera suffisante pour l'agrafage à blanc.  
Les opérations à vitesse lente ont tendance à chauffer les pièces mobiles.

**ATTENTION**

- Ne pas faire un essai d'agrafage à blanc à haute pression.

**ESSAI DE L'AGRAFEUSE**

**⚠ DANGER**



- Les opérateurs et les autres personnes dans l'aire de travail DOIVENT porter des lunettes de protection avec visières latérales respectant les exigences ANSI Z87.1. Les lunettes ordinaires ne fournissent pas une protection adéquate.

**⚠ AVERTISSEMENT**

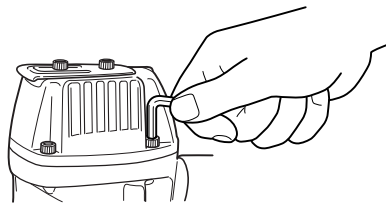
- **Ne jamais utiliser l'agrafeuse si le levier-poussoir ne fonctionne pas correctement.**

Avant de commencer le travail proprement dit, faire un essai d'agrafage en vérifiant les points ci-dessous. Effectuer les essais dans l'ordre indiqué.

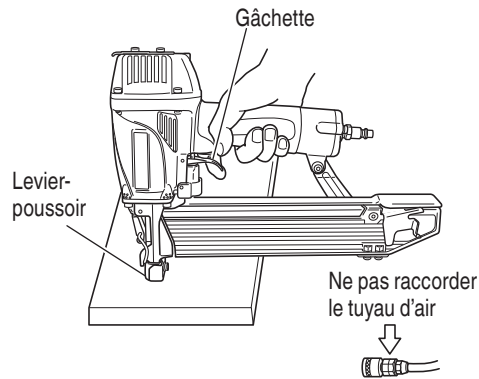
S'il se produit un fonctionnement anormal, cesser immédiatement d'utiliser l'agrafeuse et contacter un service après-vente agréé metabo HPT.

- (1) **DEBRANCHER LE TUYAU D'AIR D'AGRAFAGE. SORTIR TOUS LES AGRAFES D'AGRAFAGE.**

- TOUTES LES VIS DOIVENT ETRE SERREES A FOND.**  
Si certaines vis sont relâchées, les revisser.



- LE LEVIER-POUSOIR ET LA GACHETTE DOIVENT FONCTIONNER AVEC SOUPLESSE.**



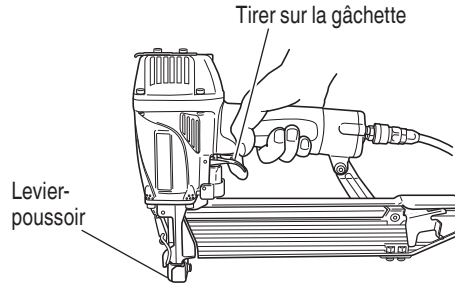
- (2) **Régler la pression d'air sur 70 psi (4.9 bars 5 kgf/cm<sup>2</sup>).**

Raccorder le tuyau d'air.  
Ne pas mettre d'agrafes dans l'agrafeuse.

- L'AGRAFEUSE NE DOIT PAS AVOIR DE FUITE D'AIR.**

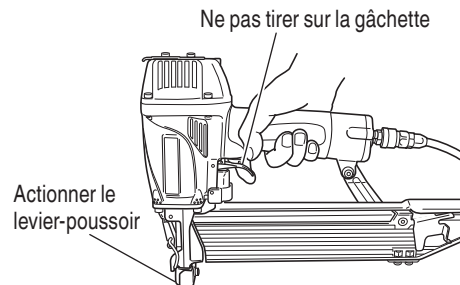
Diriger l'agrafeuse vers le bas et tirer sur la gâchette.

- L'AGRAFEUSE NE DOIT PAS FONCTIONNER.**



- (3) **Le doigt étant retiré de la gâchette, actionner le levier-poussoir contre la pièce.**

- L'AGRAFEUSE NE DOIT PAS FONCTIONNER**



- (4) **Sans toucher la gâchette, actionner le levier-poussoir contre la pièce. Tirer sur la gâchette.**

- L'AGRAFEUSE DOIT FONCTIONNER.**

- (5) **L'agrafeuse ne touchant plus la pièce, tirer sur la gâchette. Actionner le levier-poussoir contre la pièce.**

- L'AGRAFEUSE DOIT FONCTIONNER.**

- (6) **Si l'on ne remarque aucun fonctionnement anormal, on pourra mettre des agrafes dans l'agrafeuse. Enfoncer les agrafes dans un matériau du même type que celui du travail proprement dit.**

- L'AGRAFEUSE DOIT FONCTIONNER CORRECTEMENT.**

## REGLAGE DE LA PRESSION D'AIR

### ⚠ AVERTISSEMENT



- Ne pas dépasser 120 psi (8.3 bars 8.5 kgf/cm<sup>2</sup>)

Régler la pression d'air à la pression de travail recommandée de 70 – 120 psi (4.9 – 8.3 bars 5 – 8.5 kgf/cm<sup>2</sup>) en fonction de la longueur des agrafes et de la dureté du matériau.

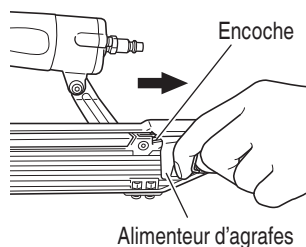
La pression d'air correcte est la pression la plus basse capable d'effectuer le travail. L'utilisation d'une pression d'air supérieure à la pression nécessaire fatiguera inutilement l'agrafeuse.

## CHARGEMENT DES AGRAFES

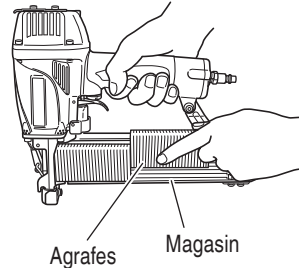
### ⚠ AVERTISSEMENT

- Lors du chargement des agrafes dans l'agrafeuse,
  - 1) ne pas tirer sur la gâchette ;
  - 2) ne pas actionner le levier-poussoir ; et
  - 3) diriger l'agrafeuse vers le bas.

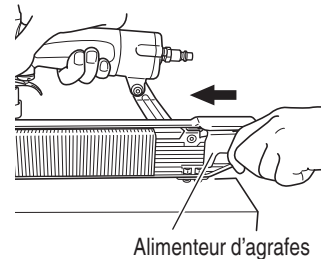
- (1) Tirer l'alimenteur d'agrafes vers l'arrière et le fixer solidement à une encoche du magasin.



- (2) Placer la bande d'agrafes sur le magasin. Vérifier que la bande d'agrafes glisse en douceur sur le magasin.



- (3) Tirer l'alimenteur d'agrafes vers l'arrière. Ensuite, le détacher de l'encoche du magasin et ramener doucement l'agrafe en arrière comme si elle subissait une poussée douce, en évitant tout impact.



L'agrafeuse est maintenant prête à fonctionner.

### ⚠ ATTENTION

Si l'on relâche l'alimenteur d'agrafes subitement, il risque de revenir brusquement, ce qui pourrait déformer et/ou éparpiller les agrafes, et qui finirait par coincer les agrafes.

Bien ramener l'alimenteur d'agrafes en arrière en évitant absolument tout impact.

## UTILISATION DE L'AGRAFEUSE

Lire la section intitulée "SECURITE" (pages 21 – 25).

### ⚠ DANGER



- Les opérateurs et les autres personnes dans l'aire de travail DOIVENT porter des lunettes de protection avec visières latérales respectant les exigences ANSI Z87.1. Les lunettes ordinaires ne fournissent pas une protection adéquate.

**⚠ AVERTISSEMENT**



- Seules les personnes qui ont lu et compris ce MANUEL doivent utiliser l'agrafeuse.
- NE JAMAIS diriger l'outil vers soi ni vers quelqu'un d'autre dans l'aire de travail.
- Maintenir les doigts ÉLOIGNÉS de la gâchette quand on n'enfoncé pas d'agrafes pour éviter un agrafage accidentel.
- Connaître et comprendre le système de gâchette utilisé.  
Lire et bien assimiler la "METHODES D'UTILISATION" ci-dessous.
- Ne jamais approcher les mains ni les pieds à moins de 8 pouces (200 mm) de la tête d'agrafage lors de l'utilisation.
- Ne pas enfoncer d'agrafes sur d'autres agrafes; les agrafes pourraient ricocher et blesser quelqu'un.
- Ne pas actionner l'agrafeuse à moins qu'il ne soit placé fermement contre la pièce de travail.
- Pour éviter tout risque de déclenchement double ou toute éjection inadvertante d'une agrafe de à un bondissement de l'agrafeuse,
  - 1) ne pas appuyer l'agrafeuse trop fort contre la pièce ;
  - 2) éloigner complètement l'agrafeuse de la pièce avec le rappel ;
  - 3) relâcher la gâchette rapidement lorsqu'on effectue un clouage par gâchette.
- Quand on travaille près du bord d'une pièce ou à un angle prononcé, ou quand on enfonce des agrafes dans une pièce fine, prendre soin de minimiser le déchiquetage, le fractionnement ou l'éclatement, ou le vol libre, le ricochet ou le perçage des agrafes, pouvant provoquer des blessures.
- Ne jamais enfoncer d'agrafes des deux côtés d'un mur en même temps. Les agrafes pourraient traverser le mur et blesser quelqu'un de l'autre côté.
- Ne jamais utiliser l'agrafeuse si elle est défectueuse ou qu'elle ne fonctionne pas normalement.
- Ne pas se servir de l'agrafeuse comme d'un marteau.

- Débrancher le tuyau d'air de l'agrafeuse quand:
  - 1) on ne s'en sert pas;
  - 2) on quitte l'aire de travail;
  - 3) on le soulève ou l'abaisse, ou on le déplace dans un autre endroit;
  - 4) on le passe à quelqu'un d'autre;
  - 5) on effectue tout entretien ou réparation ;
  - 6) on retire les agrafes bloquées;
  - 7) l'agrafeuse n'est pas sous la supervision ou le contrôle de l'opérateur;
  - 8) on retire les agrafes du chargeur; et
  - 9) on règle la profondeur d'agrafage;

Cette agrafeuse metabo HPT possède un MÉCANISME DE DÉCLENCHEMENT PAR CONTACT STANDARD (activation par band). Il existe un lot de MÉCANISME DE DÉCLENCHEMENT SÉQUENTIEL EN OPTION (CLOUAGE SIMPLE) dont le numéro de pièce de commande est 876762.

On utilisera LE MÉCANISME DE DÉCLENCHEMENT PAR CONTACT STANDARD (activation par band) pour effectuer un clouage rapide, et en respectant la "méthode d'utilisation" ci-dessous.

**METHODES D'UTILISATION**

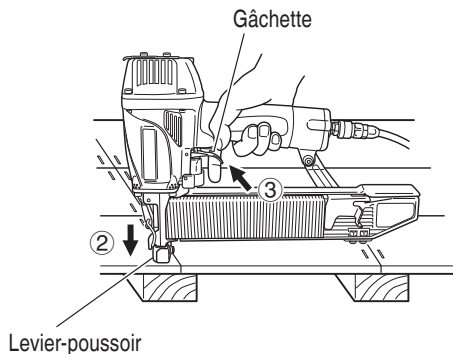
L'agrafeuse est équipée d'un levier-poussoir et elle ne fonctionne pas tant que le levier-poussoir n'est pas enfoncé (position supérieure).

Il y a deux façons d'enfoncer des agrafes avec l'agrafeuse.

Ces deux méthodes sont :

1. Fonctionnement intermittent (déclenchement par gâchette) :
  2. Fonctionnement continu (déclenchement par levier-poussoir) :
- (1) Fonctionnement intermittent (déclenchement par gâchette)
- ① Placer l'orifice de sortie des agrafes sur la pièce en enlevant le doigt de la gâchette.
  - ② Actionner fermement le levier-poussoir jusqu'à ce qu'il soit complètement enfoncé.
  - ③ Tirer sur la gâchette pour enfoncer une agrafe.
  - ④ Retirer le doigt de la gâchette.
- Pour enfoncer une autre agrafe, déplacer agrafes sur la pièce, et recommencer.





(2) Fonctionnement continu (déclenchement par levier-poussoir)

**⚠ AVERTISSEMENT**

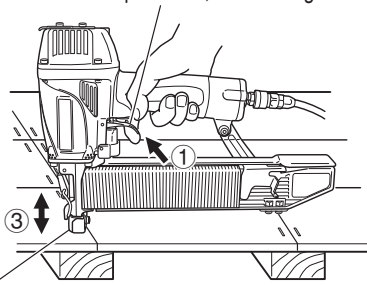
● Pour éviter tout déclenchement double ou tout déclenchement accidentel du fait d'un rappel.

- 1) Ne pas appuyer trop fort l'agrafeuse contre la pièce à usiner.
- 2) Éloigner l'agrafeuse de la pièce à usiner, car elle effectue un rappel après l'agrafage.

- ① Tirer sur la gâchette en retirant l'agrafeuse de la pièce.
- ② Actionner le levier-poussoir contre la pièce pour enfoncer une agrafe.
- ③ Déplacer l'agrafeuse le long de la pièce en lui faisant faire des bonds.  
Chaque pression du levier-poussoir enfonce une agrafe.

Dès que le nombre d'agrafes voulu est enfoncé, retirer le doigt de la gâchette.

Au préalable, tirer sur la gâchette



Levier-poussoir

**⚠ AVERTISSEMENT**

- Ne pas mettre le doigt sur la gâchette sauf pendant une opération de agrafage, car un contact accidentel du levier-poussoir sur l'opérateur ou sur les personnes alentour pourrait entraîner des blessures graves.
- Ne pas approcher les mains ni le corps de la section de sortie des agrafes. L'agrafeuse avec mécanisme de déclenchement par contact risque de faire un bond après avoir enfoncé une agrafe, ce qui pourrait enfoncer une autre agrafe et provoquer des blessures.
- Certains types d'agrafes chargées peuvent s'éjecter de la buse pendant une opération d'agrafage. Faire attention !

On utilisera LE MÉCANISME DE DÉCLENCHEMENT SÉQUENTIEL EN OPTION (CLOUAGE SIMPLE) pour effectuer un clouage précis et en respectant la "méthode de fonctionnement" ci-dessous.

Appuyer tout d'abord sur le levier-poussoir (position "haut") à l'endroit où l'on veut enfoncer l'agrafe, puis tirer sur la gâchette. Après avoir enfoncé chaque agrafe, relâcher complètement la gâchette et relever l'outil de la surface de travail. Le MÉCANISME DE DÉCLENCHEMENT SÉQUENTIEL EN OPTION réduit les risques de blessures pour l'opérateur et les personnes qui se trouvent dans l'aire de travail. En effet, il risque moins d'enfoncer accidentellement une agrafe si l'on garde le doigt sur la gâchette et qu'on appuie accidentellement le levier-poussoir contre soi ou contre une autre personne. Le MÉCANISME DE DÉCLENCHEMENT SÉQUENTIEL EN OPTION réduit également la vitesse de clouage par rapport au mécanisme de déclenchement par contact standard.

**REMARQUE:**

- Le MÉCANISME DE DÉCLENCHEMENT PAR CONTACT STANDARD et le MÉCANISME DE DÉCLENCHEMENT SÉQUENTIEL EN OPTION sont tous deux parfaitement sûrs s'ils sont utilisés conformément aux avertissements et aux instructions.
- Toujours manier les agrafes et le paquet avec précaution. Si les agrafes tombent, la colle d'assemblage risque de se briser.
- Après l'agrafage :
  - 1) débrancher le tuyau d'air de l'agrafeuse ;
  - 2) sortir toutes les agrafes de l'agrafeuse ;

- 3) mettre 5 ou 10 gouttes d'huile de machine pneumatique metabo HPT dans le bouchon d'air de l'agrafeuse ; et
- 4) ouvrir le robinet de purge du réservoir du compresseur d'air pour purger toute l'humidité.

### REGLAGE DE LA PROFONDEUR DE AGRAFAGE

#### ⚠ AVERTISSEMENT

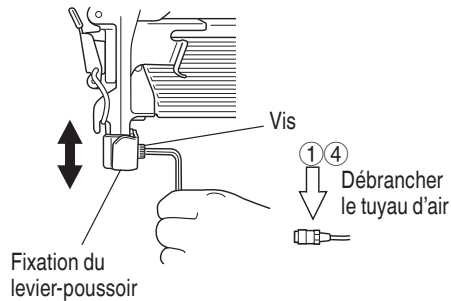
- Lors de l'ajustement de l'ajusteur, s'assurer de retirer son doigt de la gâchette et de débrancher le tuyau d'air de l'agrafeuse.

Pour que les agrafes s'enfoncent toutes à la même profondeur, s'assurer que:

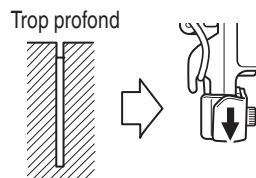
- 1) la pression d'air de l'agrafeuse reste constante (le régulateur est installé et il fonctionne normalement), et
- 2) l'agrafeuse est toujours maintenue fermement contre la pièce.

Si les agrafes sont enfoncées trop loin ou pas assez dans la pièce, régler l'agrafage dans l'ordre suivant.

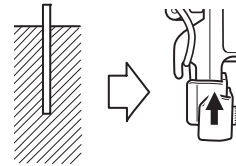
- ① DEBRANCHER LE TUYAU D'AIR DE L'AGRAFEUSE.



- ② Pour régler la profondeur de clouage, desserrer la vis de fixation du levier-poussoir. Si l'agrafe doit être clouée profondément, régler le levier-poussoir sur «bas», et si elle doit être clouée peu profondément, régler le levier-poussoir sur «haut».



Pas assez profond



- ③ Serre la vis pour fixer le levier-poussoir une fois la position d'agrafage d'essai adéquate atteinte.
- ④ Brancher le tuyau d'air. TOUJOURS PORTER DES LUNETTES DE PROTECTION. Effectuer un essai d'agrafage.
- ⑤ DÉBRANCHER LE TUYAU D'AIR DE L'AGRAFEUSE.
- ⑥ Sélectionner la position du levier-poussoir qui convient.

## ENTRETIEN

### REMARQUE:

Les informations contenues dans ce manuel ont pour but d'aider l'opérateur à utiliser l'agrafeuse en toute sécurité.

Certaines des illustrations du manuel peuvent montrer des détails ou des accessoires qui diffèrent de ceux de votre agrafeuse.

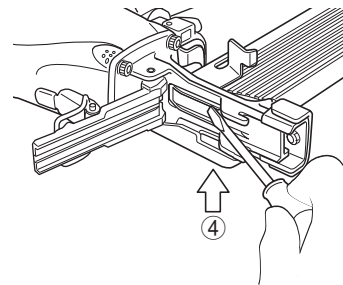
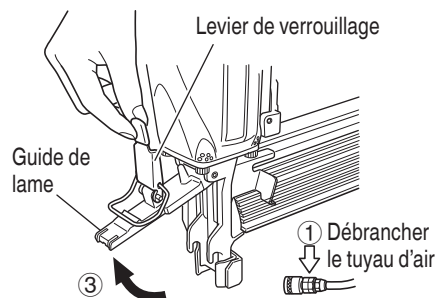
### ENTRETIEN ET INSPECTION

Lire la section intitulée "SECURITE" (pages 21 - 25).

#### ⚠ AVERTISSEMENT

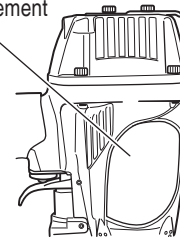
- Débrancher le tuyau d'air et sortir toutes les agrafes de l'agrafeuse quand :
  - 1) on entretient ou on inspecte l'agrafeuse ;
  - et
  - 2) on retire des agrafes coincées.

1. Dégagement des agrafes coincées  
 Pour dégager une agrafe coincée, procéder comme suit :
  - ① DÉBRANCHER LE TUYAU D'AIR.
  - ② Retirer toutes les agrafes.
  - ③ Libérer le levier de verrouillage et ouvrir le guide de lame.
  - ④ Retirer l'agrafe coincée avec un tournevis pour écrou à fente.
  - ⑤ Refermer le guide de lame et la fermeture.
  - ⑥ Si les agrafes se coincent fréquemment, contacter un service après-vente metabo HPT agréé.



2. Remisage
  - Si l'on ne se sert pas de l'agrafeuse pendant un certain temps, enduire ses pièces en acier d'une mince couche de graisse pour éviter toute corrosion.
  - Ne pas remisage l'agrafeuse dans un environnement froid. La laisser dans un endroit chaud.
  - Lorsqu'on ne se sert pas de l'agrafeuse, la remisage dans un endroit chaud et sec. La ranger hors de portée des enfants.
3. ETIQUETTE D'AVERTISSEMENT  
 Ne pas utiliser l'agrafeuse si l'ÉTIQUETTE D'AVERTISSEMENT manque ou est endommagée. Se procurer une nouvelle ETIQUETTE D'AVERTISSEMENT auprès d'un service après-vente metabo HPT agréé.

Etiquette d'avertissement



4. Tableau d'entretien (Page 36)
5. Guide de dépannage de l'opérateur (Page 37)
6. Liste des pièces de rechange
  - A: No. élément
  - B: No. code
  - C: No. utilisé
  - D: Remarques

**⚠ ATTENTION**

- Les réparations, modifications et inspections des outils électriques metabo HPT doivent être confiées à un service après-vente metabo HPT agréé.

Il sera utile de présenter cette liste de pièces au service après-vente metabo HPT agréé lorsqu'on apporte un outil nécessitant des réparations ou tout autre entretien.

Lors de l'utilisation et de l'entretien d'un outil électrique, respecter les règlements et les normes de sécurité en vigueur dans le pays en question.

**MODIFICATIONS:**

Les outils électriques metabo HPT sont constamment améliorés et modifiés afin d'incorporer les tous derniers progrès technologiques.

En conséquence, il est possible que certaines pièces (c.-à-d. no. de code et/ou dessin) soient modifiées sans avis préalable.

**ENTRETIEN ET REPARATIONS**

**⚠ AVERTISSEMENT**

- Les réparations de l'agrafeuse seront confiées exclusivement au personnel d'entretien formé par metabo HPT, au distributeur ou à l'employeur.
- Pour les réparations, utiliser exclusivement des pièces fournies ou recommandées par metabo HPT.

Du fait de l'usure normale, les agrafeuses de qualité finissent toujours par avoir besoin d'un entretien ou d'un remplacement de pièce.

**REMARQUE:**

Les spécifications sont sujettes à modification sans préavis et sans aucune obligation de la part de metabo HPT.

Tableau d'entretien

ACTION	POURQUOI	COMMENT
Purger le filtre de la ligne d'air tous les jours.	Eviter l'accumulation d'humidité et de poussière.	Ouvrir le robinet de purge manuel.
Veiller à ce que le lubrificateur soit toujours plein.	Maintenir l'agrafeuse bien graissée.	Remplir d'huile de machine pneumatique metabo HPT.
Nettoyer l'élément du filtre et souffler de l'air à travers le filtre dans le sens opposé au flux normal tous les jours.	Eviter le colmatage du filtre par la saleté.	Suivre les instructions du fabricant.
Nettoyer le magasin et le mécanisme de l'alimenteur.	Eviter que les agrafes ne se coincent.	Nettoyer en soufflant de l'air tous les jours.
Veiller à ce que le levier-poussoir fonctionne toujours correctement.	Assurer la sécurité de l'opérateur et un fonctionnement efficace de l'agrafeuse.	Nettoyer en soufflant de l'air tous les jours
Graisser l'agrafeuse après l'utilisation.	Rallonger la durée de service de l'agrafeuse.	Mettre 5 ou 10 gouttes de graisse dans l'agrafeuse.
Purger le compresseur d'air tous les jours.	Maintenir l'agrafeuse en bon ordre de marche.	Ouvrir le robinet de purge du réservoir du compresseur d'air.

Guide de dépannage de l'opérateur

En suivant le tableau ci-dessous, la plupart des problèmes mineurs pourront être corrigés rapidement et en toute facilité.

Si le problème persiste, contacter un service après-vente metabo HPT agréé.

PROBLEME	VERIFICATION	CORRECTION
L'agrafeuse fonctionne, mais les agrafes ne s'enfoncent pas.	Vérifier si une agrafe est coincée.	Dégager l'agrafe coincée page 35.
	L'alimenteur d'agrafes est-il endommagé ?	Remonter l'alimenteur d'agrafes.
	Le ressort à ruban est-il distendu ou endommagé ?	Remplacer le ressort à ruban.
	Vérifier si l'on utilise les bonnes agrafes.	Utiliser uniquement les agrafes recommandées.
Entraînement faible. Cycle lent.	Vérifier la pression d'air.	Augmenter la pression d'air. (Ne pas dépasser 120 psi (8.3 bar 8.5 kgf/cm <sup>2</sup> ))
	Vérifier la position du dispositif de réglage de profondeur d'agrafage.	Refaire le réglage selon les indications de la page 34.
	-----	Utiliser une hile de machine pneumatique metabo HPT.
	La lame d'entraînement est-elle usée ? La joint torique du piston est-il usé ou endommagé ?	Contactez metabo HPT pour le remplacement.
Les agrafes s'enfoncent trop profondément.	Vérifier la pression d'air.	Réduire la pression d'air. (Régler sur 70 – 120 psi (4.9 – 8.3 bar 5 – 8.5 kgf/cm <sup>2</sup> ))
	Vérifier la position du dispositif de réglage de profondeur d'agrafage.	Refaire le réglage selon les indications de la page 34.
Certaines agrafes sont sautées. Alimentation intermittente.	Vérifier si l'on utilise les bonnes agrafées.	Utiliser uniquement les agrafes recommandées.
	L'alimenteur d'agrafes est-il endommagé ?	Nettoyer et graisser.
	Le ressort à ruban est-il distendu ou endommagé ?	Replacer le ressort à ruban.
	Le joint torique du piston est-il usé ou endommagé ?	Contactez metabo HPT pour le remplacement.
Des agrafes se coincent. Les agrafes efoncées sont tordues.	Vérifier si l'on utilise les bonnes agrafes.	Utiliser uniquement les grafes recommandées.
	La lame d'entraînement est-elle usée ?	Contactez metabo HPT pour le remplacement.
Les agrafes endoncent bien normalment, mais pas complètement à des vitesses supérieures.	Vérifier la diamètre interieur du tuyau d'air.	Utiliser un tuyau d'air plus large.

---

## INFORMACIÓN DE SEGURIDAD IMPORTANTE

---



Lea y comprenda el significado de las etiquetas de la herramienta y todas las instrucciones de funcionamiento, las precauciones de seguridad y las advertencias de este manual antes de realizar la operación o el mantenimiento de esta grapadora.

La negligencia en la observación de las advertencias puede producir la MUERTE o LESIONES DE GRAVEDAD.

La mayoría de los accidentes ocurridos al utilizar o mantener esta grapadora se deben a la falta de tener en cuenta las normas de seguridad y precauciones básicas. Los accidentes podrán evitarse en muchos casos dándose cuenta de una situación peligrosa antes de que se produzca, y observando fielmente los procedimientos de seguridad apropiados.

Las precauciones básicas de seguridad se describen en la sección "SEGURIDAD" de este manual, y en las secciones que contienen las instrucciones sobre operación y mantenimiento.

Los riesgos que habrá que eludir para evitar lesiones o el daño de la máquina se identifican mediante "PELIGRO" y "ADVERTENCIA" en la grapadora y en este manual.

**NO** utilice **NUNCA** esta grapadora para aplicaciones que no sean las especificadas en este manual.

---

## DEFINICIÓN DE LAS PALABRAS CLAVE

---

**PELIGRO** indica una situación inminentemente peligrosa que, si no se evita, puede resultar en lesiones serias o en la muerte.

**ADVERTENCIA** indica una situación potencialmente peligrosa que, si no se evita, puede resultar en lesiones serias o en la muerte.

**PRECAUCIÓN** indica una situación potencialmente peligrosa que, si no se evita, puede resultar en lesiones menores, o en el daño de la máquina.

**NOTA** enfatiza información esencial.

---

## EXPLICACIÓN LA ACCIÓN DE GRAPADO DE LA GRAPADORA metabo HPT

---

○ MECANISMO DE ACTUACIÓN POR CONTACTO:

En primer lugar, presione la palanca de empuje contra la madera y, a continuación, jale el gatillo para introducir el sujetador.

En primer lugar, jale el gatillo y, seguidamente, presione la palanca de empuje contra la madera para que se introduzca el sujetador.

Si mantiene el gatillo apretado, se introducirá un sujetador cada vez que se presiona la palanca de empuje contra la madera.

## SEGURIDAD

### INSTRUCCIONES IMPORTANTES DE SEGURIDAD PARA LA UTILIZACIÓN DE LA GRAPADORA

#### INSTRUCCIONES PARA EVITAR UN RIESGO DE INCENDIO, UNA DESCARGA ELÉCTRICA O LESIONES

- **General**

Para reducir el riesgo de descarga eléctrica, incendio o lesiones, **LEA TODAS LAS INSTRUCCIONES ANTES DE UTILIZAR LA HERRAMIENTA.**

#### ⚠ PELIGRO

- 1. LOS OPERADORES Y DEMÁS PERSONAS QUE SE ENCUENTREN EN EL ÁREA DE TRABAJO DEBEN USAR PROTECCIÓN PARA LOS OJOS (GAFAS DE SEGURIDAD CON BLINDAJES LATERALES).**



Antes de utilizar la grapadora, utilice siempre gafas protectoras con blindajes laterales, y asegúrese de que también sea utilizada por todas las personas que se encuentren en el área de trabajo.

Las gafas protectoras deberán estar de acuerdo con los requisitos del Instituto de Normas Nacionales Americanas, ANSI Z87.1 y proporcionar protección contra las partículas despedidas desde la parte frontal y posterior.

Las gafas ordinarias no brindan una protección adecuada.

El empresario deberá hacer que el operador de la grapadora y demás personas que se encuentren en el área de trabajo utilicen en todo momento gafas protectoras.

- 2. NO UTILICE GASES REACTIVOS NI OTROS GASES EMBOTELLADOS. PODRÍA PRODUCIRSE UNA EXPLOSIÓN.**



No utilice nunca gases reactivos, como oxígeno, gases combustibles, etc. como fuente de propulsión de esta grapadora. La utilización de estos gases, o de otros gases embotellados, es peligrosa, ya que la grapadora podría explotar. Utilice solamente aire comprimido limpio, seco, y regulado.

#### ⚠ ADVERTENCIA

- 3. NO DIRIJA NUNCA LA HERRAMIENTA HACIA SÍ MISMO O HACIA OTRAS PERSONAS DEL ÁREA DE TRABAJO.**



Piense siempre que la grapadora puede tener fijaciones cargadas.

No dirija nunca la grapadora hacia sí mismo o hacia otras personas, independiente de que contenga o no fijaciones.

Si utilizase las grapas incorrectamente, podrían producirse lesiones serias.

No juegue nunca con la grapadora.

Trate la grapadora como herramienta de trabajo.

- 4. NO COLOQUE EL DEDO EN EL GATILLO Y MANTENGA LOS DEDOS ALEJADOS DEL GATILLO CUANDO NO CLAVE GRAPAS PARA EVITAR UNA DESCARGA ACCIDENTAL.**

No transporte nunca la grapadora con el dedo en el gatillo, porque podría lanzar una grapa y lesionarse usted mismo o a otra persona.

Transporte siempre la grapadora por la empuñadura solamente.

- 5. CONOZCA Y COMPRENDA EL SISTEMA DE GRAPADORA QUE ESTÁ UTILIZANDO.**

Lea y comprenda la sección titulada "MÉTODOS DE OPERACIÓN". (páginas 50 – 51)

- 6. NO REALICE NINGÚN CONTACTO CON EL EXTREMO DE SEGURIDAD (PALANCA DE EMPUJE) CUANDO NO CLAVE.**

## SEGURIDAD — Continuación

### ⚠ ADVERTENCIA

Cuando utilice herramientas, deberán tomarse siempre precauciones básicas, incluidas las siguientes:

#### 1. Zona de trabajo

- (1) **Mantenga la zona de trabajo limpia y bien iluminada.**

Los bancos llenos de cosas y las zonas oscuras aumentan el riesgo de descarga eléctrica, incendio y lesiones.

- (2) **No utilice la grapadora en atmósferas explosivas, como por ejemplo en presencia de líquidos inflamables, gases inflamables o polvo combustible.**

La grapadora puede crear chispas que podrían incendiar el polvo o los gases.

- (3) **Mantenga a los viandantes, los niños y los visitantes alejados mientras utiliza la grapadora.**

Las distracciones podrían causar la pérdida de control de la grapadora.

#### 2. Seguridad personal

- (1) **Permanezca alerta. Céntrase en su trabajo y utilice el sentido común cuando trabaje con la grapadora. No utilice la grapadora cuando esté cansado, después de haber consumido drogas o alcohol, o mientras esté bajo la influencia de medicamentos.**

Un momento de despiste cuando se utiliza la grapadora aumenta el riesgo de lesiones.

- (2) **Utilice ropa adecuada. No utilice ropa suelta o joyas. Recójase el pelo. Mantenga el pelo, la ropa y los guantes alejados de las partes móviles.**

La ropa suelta, las joyas o el pelo largo aumentan el riesgo de lesiones, ya que podrían pillarse con las partes móviles.

- (3) **Evite una puesta en marcha involuntaria. Asegúrese de que el interruptor está apagado antes de conectar el aparato al suministro de aire. No transporte la grapadora con el dedo colocado en el interruptor o lo conecte al suministro de aire con el interruptor encendido.**

- (4) **⚠ ADVERTENCIA** - Desconecte la grapadora del suministro de aire antes de realizar ajustes, realizar el mantenimiento de la grapadora, eliminar atascos, tocar la palanca de empuje, cuando no la esté usando, al salir del

área de trabajo, al dejar la grapadora fuera de la supervisión o el control del operador, al cargar o descargar la grapadora, al entregársela a otra persona, al elevar, bajar o mover en cualquier otra forma la grapadora a una nueva ubicación.

No trate de desatascar o reparar la grapadora salvo que haya desconectado el conducto de aire de la grapadora y retirado todas las fijaciones que queden en el mismo. La grapadora no deberá dejarse nunca desatendida, ya que podría ser utilizada por personas no familiarizadas con la misma, pudiéndose lesionar. Dichas medidas de precaución reducen el riesgo de lesiones.

- (5) **No estire el cuerpo. Mantenga los pies bien colocados y el equilibrio en todo momento.**

El mantener los pies bien colocados y el equilibrio permite un mayor control de la grapadora en situaciones inesperadas.

- (6) **Utilice equipo de seguridad.** Deberán utilizarse una máscara para el polvo, zapatos de seguridad anti-deslizamiento y un casco para las condiciones aplicables.

- (7) **⚠ ADVERTENCIA** - **Riesgo de pérdida auditiva. Lleve protección auditiva.**

La protección auditiva deberá tener una Calificación de reducción de ruido (NRR) determinada de acuerdo con las reglas de la Agencia de Protección Medioambiental de los Estados Unidos que sea adecuada para la exposición al ruido.

- (8) **Utilice siempre protección para la cabeza. Utilice siempre protección para la cabeza para protegerse de objetos que salgan despedidos.**

- (9) **No coloque la manguera o la grapadora en su cuerpo.**

Coloque la manguera en la estructura para reducir el riesgo de pérdida de equilibrio en caso de que la manguera se mueva.

- (10) **⚠ ADVERTENCIA** - **Clave Grapas solo en una superficie de trabajo adecuada.** No clave la grapa en otras grapas. Esto podría hacer que las fijaciones se desvíen y golpeen a alguna persona, o hagan que la grapadora reaccione y provoque lesiones.



## SEGURIDAD — Continuación

### ⚠ ADVERTENCIA

#### 3. Uso y cuidado la grapadora

- (1) **Utilice agarraderas u otra forma práctica de fijación y apoye la pieza de trabajo sobre una plataforma estable.**

Sujetar el trabajo con las manos o contra el cuerpo es inestable y podría causar una pérdida de control.

- (2) **No fuerce la grapadora.** Utilice la grapadora correcta para la aplicación. La grapadora correcta hará el trabajo mejor y de forma más segura a la velocidad a la que la grapadora está diseñada.

- (3) **No utilice la grapadora si el interruptor no enciende o apaga la grapadora.** Las grapadoras que no pueden controlarse con el interruptor son peligrosos y deberán repararse.

**No utilice grapadoras defectuosas o que funcionen de forma anormal.** Si la grapadora funciona de forma anormal, hace ruidos extraños o parece estar defectuoso, deje de utilizarlo inmediatamente y llévelo a un centro de servicio autorizado de metabo HPT para su reparación.

- (4) **Desconecte la grapadora de la fuente de aire antes de realizar cualquier ajuste, cambiar accesorios o guardar la grapadora.** Dichas medidas de seguridad preventivas reducen el riesgo de que la grapadora se ponga en marcha involuntariamente.

- (5) **Guarde la grapadora fuera del alcance de los niños y de las personas no capacitadas para su uso cuando no se utilice.** Las grapadora son peligrosas en manos de usuarios no capacitados.

- (6) **Mantenga la grapadora con cuidado.** Mantenga la Grapadora limpia y lubricado para un funcionamiento mejor y más seguro.

- (7) **Verifique el fallo de alineación o de unión de las partes móviles, la rotura de las partes y otras condiciones que puedan afectar a la operación de la grapadora.**

Si la grapadora está dañada, llévelo a reparar antes de utilizarlo. Debido a la alta presión de aire en la grapadora, las grietas en la superficie son peligrosas. Para evitarlo, no deje que se caiga la grapadora ni lo golpee contra superficies duras, y no arañe o haga grabaciones en el mismo. Muchos accidentes se producen por un mantenimiento incorrecto de las grapadoras. Existe riesgo de explosión si la grapadora está dañada.

- (8) **No utilice la grapadora si no está en orden de operación adecuado.** Etiquetas y divisiones físicas deberán ser usadas para el control.

- (9) **Utilice solo accesorios identificados por metabo HPT para la grapadora específica.** El uso de accesorios con la grapadora no previstos aumenta el riesgo de lesiones.

- (10) **Utilice solo las fijaciones indicados en la sección Accesorios de este manual.** Las fijaciones que metabo HPT no identifique para su utilización con esta grapadora podrían producir un riesgo de lesiones o podrían dañar la grapadora cuando se utilicen en el mismo.

#### 4. Mantenimiento

- (1) **El mantenimiento de la herramienta deberá ser realizado sólo por personal de reparación cualificado.**

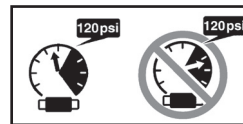
- (2) **Cuando realice el mantenimiento de una grapadora, utilice sólo piezas de repuesto idénticas. Utilice solo piezas autorizadas.**

- (3) **Utilice solo los lubricantes suministrados con la grapadora o especificados por metabo HPT.**

#### 5. Fuente de aire

- (1) **No realice la conexión nunca a una fuente de aire que pueda superar 200 psi (13.7 bar 14 kgf/cm<sup>2</sup>) si un regulador falla.**

El exceso de presión en la grapadora podría provocar una explosión, un funcionamiento anormal, una rotura de la grapadora o lesiones graves.



#### **NO SUPERE 120 psi (8.3 bar 8.5 kgf/cm<sup>2</sup>).**

Utilice solo aire comprimido limpio, seco y regulado a la presión nominal o dentro del rango de presión nominal tal como se indique en la grapadora.

Antes de utilizar la grapadora, compruebe siempre que la fuente de aire se ha ajustado a la presión de aire nominal o dentro del rango aire-presión nominal.

- (2) **No utilice nunca gases reactivos, como oxígeno, dióxido de carbono, gases combustibles o botellas de gas como fuente de aire para la grapadora.** Dichos gases podrían explotar y producir lesiones graves.

## SEGURIDAD — Continuación

### ⚠ ADVERTENCIA

#### 6. Otros

- (1) **Tenga cuidado del doble fuego y de ser golpeado por la grapadora debido al retroceso. Luego de clavar una grapa, la grapadora podría retroceder causando que se aleje de la superficie de trabajo.**

Para reducir el riesgo de lesión, controle el retroceso:

- 1) Manteniendo siempre el control de la grapadora.
- 2) Permitiendo que el retroceso aleje la grapadora de la superficie de trabajo.
- 3) No resistiéndose al retroceso de forma que la grapadora se fuerce de nuevo hacia la superficie de trabajo. En "MECANISMO DE ACCIONAMIENTO DEL CONTACTO", si se permite que la palanca de empuje vuelva a contactar con la superficie de trabajo antes de soltar el gatillo, ocurrirá una descarga no deseada de una grapa. Para evitar este doble fuego no deseado,
  - Operación intermitente (Disparo de gatillo)
    - ① Jale el gatillo rápida y firmemente.
    - ② Suelte el gatillo RÁPIDAMENTE.
  - Funcionamiento continuo (Presione el disparo de palanca)
    - ① No presione la grapadora contra la madera con una fuerza excesiva.
    - ② Retire la grapadora de la madera después de efectuar el grapado.
- 4) Manteniendo la cara y las partes del cuerpo alejadas de la grapadora.

- (2) **No utilice nunca un acoplador sin descarga con la grapadora.** Si utiliza un acoplador sin descarga en la grapadora, éste podría permanecer cargado con aire después de haberlo desconectado y, por lo tanto, disparar una fijación incluso después de haberlo desconectado. La grapadora y la manguera de aire deben contar con un acople de manguera, de manera que se pueda remover toda la presión de la grapadora al desconectar la junta de acoplamiento.

- (3) **Compruebe la palanca de empuje antes de la utilización.** Cerciórese de que la palanca de empuje funciona adecuadamente y de que no está inutilizada, desconectada o modificada. (La palanca de empuje puede denominarse "Seguridad"). No utilice nunca la grapadora a menos que la palanca de empuje funcione adecuadamente, ya que de lo contrario la

grapadora podría disparar inesperadamente una fijación. No cambie ni quite la palanca de empuje, ya que de lo contrario la palanca de empuje se volverá inoperable.

- (4) **Mantenga todos los tornillos y cubiertas bien apretados en su lugar.** Mantenga todos los tornillos y cubiertas firmemente apretados. Compruebe periódicamente su condición.

Compruebe periódicamente su condición. No utilice nunca la grapadora si hay piezas perdidas o dañadas.

- (5) **No cargue fijaciones con el gatillo o la palanca de empuje presionada.** Cuando cargue fijaciones en la grapadora, o cuando conecte la manguera de aire,

- 1) no apriete el gatillo;
- 2) no presione la palanca de empuje; y
- 3) mantenga la grapadora apuntada hacia abajo.

- (6) **Mantenga las manos y el cuerpo alejados del cabezal de disparo durante su uso.** No coloque las manos ni los pies a menos de 8 pulgadas (200 mm) de la cabeza de salida de grapas. Si la pieza de trabajo desvía las grapas o si éstas salen del punto de introducción puede sufrir lesiones serias.

- (7) **Cuando trabaje cerca del borde de una pieza de trabajo o en ángulos muy agudos, o al clavar grapas en una pieza de trabajo fina, tenga cuidado para minimizar la aparición de virutas, astillas y divisiones, o el vuelo libre, el rebote o la perforación de las grapas, ya que podrían causar lesiones.**

- (8) **No clave nunca clavos desde ambos lados de una pared al mismo tiempo.** Los clavos podrían traspasar el panel y lesionar a la persona que se encuentra en el lado opuesto.

- (9) **Tenga cuidado adicional cuando clave grapas con la grapadora en paredes existentes y otras áreas ciegas, para evitar el contacto con objetos (p. ej. cables, tuberías, etc.) o personas ocultas que se encuentren en el otro lado.**

- (10) **Compruebe si hay cables activos.** Evite el riesgo de descargas eléctricas comprobando si hay cables activos escondidos en paredes, suelos o techos. Abra el disyuntor para asegurarse de que no quedan cables activos.

**SEGURIDAD** — Continuación**⚠ ADVERTENCIA**

- (11) **No levante, tire de la grapadora ni la baje jalando de la manguera.**
- (12) **No desconecte la manguera de aire de la grapadora con el dedo puesto en el gatillo.** La grapadora podría disparar una fijación cuando reconectase el suministro de aire.
- (13) **Maneje correctamente la grapadora.** Maneje la grapadora de acuerdo con las instrucciones de este manual. No permita que la grapadora sea utilizada por niños, personal no autorizado o personas que no estén familiarizadas con su funcionamiento.
- (14) **No utilice nunca la grapadora para aplicaciones que no sean las especificadas en este manual.**
- (15) **No modifique ni altere nunca la grapadora.** Si lo hiciera podría funcionar mal y provocar lesiones.

**RESPONSABILIDADES DEL EMPLEADOR, EL PROPIETARIO DE LA HERRAMIENTA Y EL OPERADOR DE LA HERRAMIENTA**

1. Asegúrese de que este MANUAL esté al alcance de los operadores y del personal de mantenimiento.
2. Capacite al operador en el uso seguro de la grapadora, como se describe en este MANUAL.
3. Asegúrese de que solo las personas que hayan leído y comprenden este MANUAL utilizan la grapadora.
4. Asegúrese de que las grapadoras son usadas únicamente cuando los operadores y otras personas que se encuentran en el área de trabajo llevan PROTECCIÓN OCULAR y otro equipo de protección personal apropiado, como PROTECCIÓN DE CABEZA, OÍDOS Y PIES.
5. Recalque que el operador y las demás personas que se encuentren en el área de trabajo necesitan utilizar GAFAS PROTECTORAS PARA LOS OJOS.
6. Asegúrese de que las grapadoras son conservadas en estado de operación seguro según se describe en este MANUAL.
7. Mantenga adecuadamente la grapadora.
8. Asegúrese de que solo el personal cualificado repara la grapadora.
9. Asegúrese de que las grapadoras que requieren reparación se remueven del servicio, y de que son utilizadas etiquetas y división física como método de control.

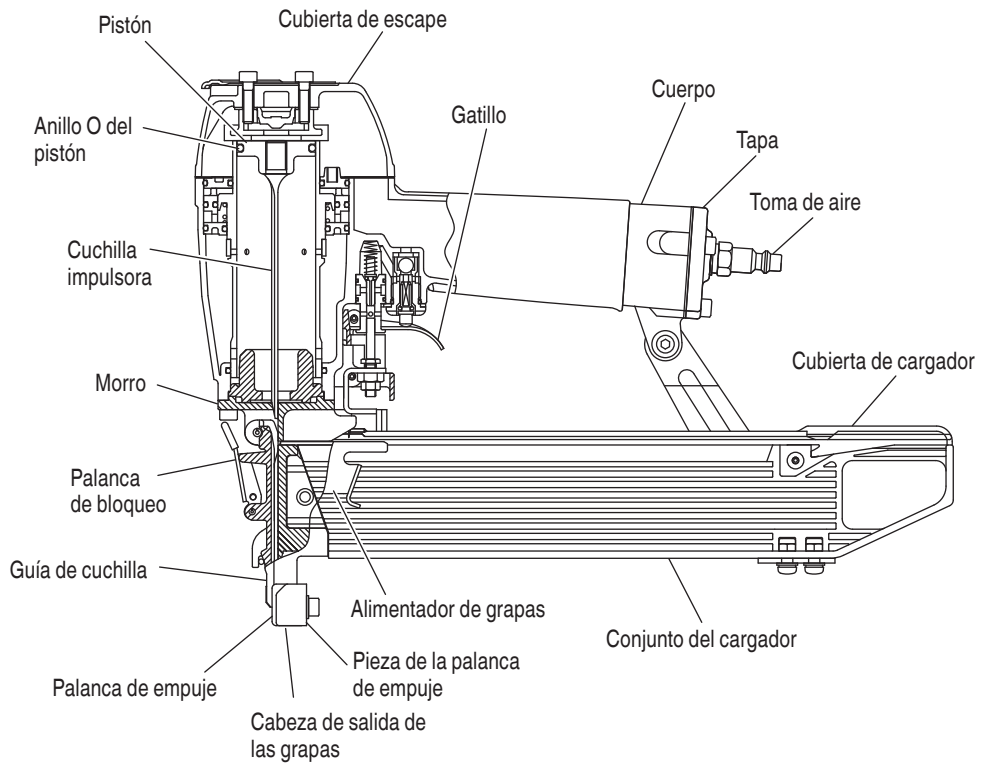
**¡GUARDE ESTE MANUAL  
AL ALCANCE DE LOS DEMÁS OPERADORES!**

## OPERACIÓN

**NOTA:** La información contenida en este manual ha sido diseñada para ayudarle a utilizar con seguridad esta grapadora.

Algunas de las ilustraciones de este manual pueden mostrar detalles o accesorios diferentes a los de su propia grapadora.

### NOMENCLATURA



## ESPECIFICACIONES

Presión de operación	70 – 120 psi (4.9 – 8.3 barías 5 – 8.5 kgf/cm <sup>2</sup> )
Dimensiones Longitud x Altura x Anchura	14-3/8" x 10-5/32" x 3" (365 mm x 258 mm x 76 mm)
Peso	4.4 libras (2.0 kg)
Capacidad de la grapadora	150 grapas
Consumo de aire	.040 pies <sup>3</sup> /ciclo a 100 psi (1.1 litros/ciclo a 6.9 barías) (1.1 litros/ciclo a 7kgf/cm <sup>2</sup> )

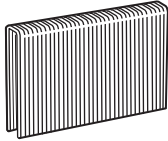
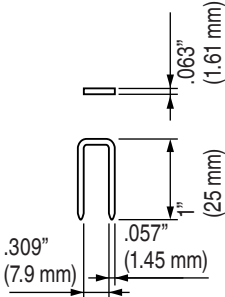

## SELECCIÓN DE GRAPAS

### ⚠ ADVERTENCIA

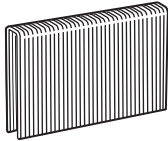
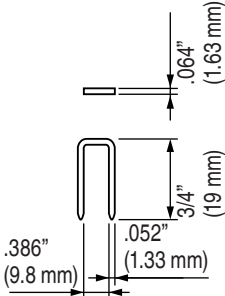

- Asegúrese de usar únicamente grapas legítimos metabo HPT para el N5008AC2, N5010A. El uso de otras grapas puede producir un fallo de funcionamiento de la herramienta y/o la rotura del grapa, lo que provocaría a su vez lesiones de gravedad.

Con esta grapadora solamente podrán utilizarse las grapas indicadas en la tabla siguiente.

### Dimensiones de las grapas para N5008AC2

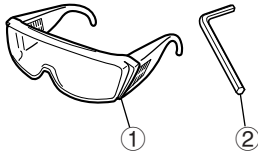
Grapa de calibre 16 y corona de 7/16"	Min.	Máx.
		

### Dimensiones de las grapas para N5010A

Grapa de calibre 16 y corona de 1/2"	Min.	Máx.
		

**ACCESORIOS****⚠ ADVERTENCIA**

- Los accesorios que no sean los mostrados a continuación pueden provocar el mal funcionamiento de la grapadora y resultar en lesiones.

**ACCESORIOS ESTÁNDAR**

- ① Gafas protectoras para los ojos ..... 1  
 ② Llave Allen para tornillos M5 ..... 1

**ACCESORIOS OPCIONALES**

... vendido aparte

- Mecanismo de disparo por contacto (Disparo con rebote) (Núm. de código 876762)
- Lubricante para herramientas neumáticas Aceitador de 1 onzas (30 cc) (Núm. de código 877153)
- Aceitador de 4 onzas (120 cc) (Núm. de código 874042)
- Lata de 1 cuarto de galón (1 litro) (Núm. de código 876212)

**NOTA:** Los accesorios están sujetos a cambio sin ninguna obligación por parte de metabo HPT.

**APLICACIONES**

- Trabajo de construcción, como forrado de paredes, y colocación de plataformas para techos y pisos.
- Construcción de casas móviles y modulares.
- Fabricación de cajas de madera y bandejas de carga extensibles.

**ANTES DE LA OPERACIÓN**

Lea la sección titulada “SEGURIDAD” (páginas 39 – 43).

Antes de la utilización, cerciórese de lo siguiente.

**ENTORNO DE TRABAJO****⚠ ADVERTENCIA**

- En el lugar de trabajo no deberá haber gases, líquidos, ni demás objetos inflamables.
- No permita que en el área de trabajo haya niños ni demás personas no autorizadas

**SUMINISTRO DE AIRE****⚠ PELIGRO**

- No utilice gases reactivos ni otros gases embotellados. Podría producirse una explosión.

**⚠ ADVERTENCIA**

- No conecte nunca la grapadora a una presión que pueda sobrepasar potencialmente 200 psi (13.7 bares 14 kgf/cm<sup>2</sup>) si un regulador falla.
- No utilice nunca un acoplador sin descarga con la grapadora.

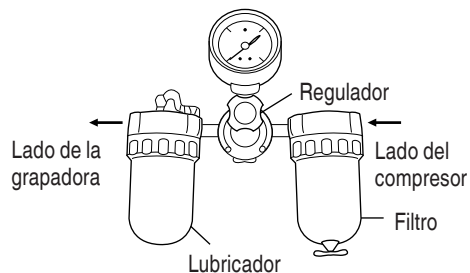
- Fuente de propulsión
  - Utilice solamente aire comprimido limpio, seco, y regulado como fuente de propulsión para esta grapadora.
  - Los compresores de aire para suministrar aire comprimido a esta grapadora deberán cumplir los requisitos de la última versión de la norma B 19.3 ANSI “Normas de Seguridad para Compresores para Industrias de Procesos”.
  - La humedad o el aceite en el compresor de aire puede acelerar el desgaste y la corrosión de la grapadora. Drénela diariamente.
- Filtro-Regulador-Lubricador
  - Utilice un regulador con una presión de 0 – 120 psi (0 – 8.3 barías 0 – 8.5 kgf/cm<sup>2</sup>)
  - Las unidades de filtro-regulador-lubricador ofrecen la condición óptima para la grapadora y prolongan su duración útil. Estas unidades deberán utilizarse siempre.
    - Filtro .....El filtro elimina la humedad y la suciedad del aire comprimido. Drene diariamente la grapadora a menos que tenga instalado un dispositivo de drenado automático.

Mantenga limpio el filtro realizando regularmente su mantenimiento.

**Regulador.....**El regulador controla la presión de operación para poder utilizar con seguridad la grapadora.

Inspeccione el regulador antes de la operación a fin de asegurarse de que funcione adecuadamente.

**Lubricador ....**El lubricador rocía aceite a la grapadora. Inspeccione el lubricador antes de utilizarlo para comprobar si el suministro de lubricante es adecuado. Utilice lubricante para herramientas neumáticas metabo HPT.



- Manguera de aire**  
Las mangueras de suministro de aire comprimido deben tener una presión operativa mínima igual o mayor que la presión procedente de la fuente de potencia si un regulador falla, o 150 psi (10.4 bares 10.6 kgf/cm<sup>2</sup>), el valor que sea mayor.
- Consumo de aire**  
Utilizando la tabla de consumo de aire y la fórmula de tamaño del compresor de aire, busque el tamaño de compresor correcto.

Tabla de consumo de aire

	psi	80	90	100
Presión de operación	(barias)	(5.5)	(6.2)	(6.9)
	(kgf/cm <sup>2</sup> )	(5.6)	(6.3)	(7)
Consumo de aire	pies <sup>3</sup> /ciclo	.028	.032	.039
	(litros/ciclo)	(.8)	(.9)	(1.1)

Fórmula de tamaño del compresor

- Cantidad de aire requerida  
= número de grapadoras  
× promedio de grapas clavadas cada minuto por grapadora  
× consumo de aire a la presión dada  
× factor de seguridad (siempre 1.2)

Ejemplo: 3 grapadoras (N5010A) funcionando a 100 psi para clavar 30 grapas por minuto

Cantidad de aire requerida  
= 3 × 30 × .039 (1.1) × 1.2  
= 4.2 CFM (pies<sup>3</sup>/min) (119 litros/min)

Después de haber realizado los cálculos indicados arriba, tendrá que buscar un compresor que proporcione 4.2 CFM de aire, que es el valor requerido.

### LUBRICACIÓN

Es muy importante que la grapadora esté adecuadamente lubricada.

Sin la lubricación apropiada, la grapadora no trabajará correctamente y las piezas se desgastarán prematuramente.

- Utilice lubricante para herramientas neumáticas metabo HPT.  
No utilice aceite detergente ni aditivos. Estos lubricantes dañarían las juntas tóricas y demás piezas de caucho. Esto haría que la grapadora funcionase mal.
- Habrá que utilizar siempre unidades de filtro-regulador-lubricador.  
Mantenga el lubricador lleno con lubricante para herramientas neumáticas metabo HPT.
- Si no dispone de lubricador, aplique 5 – 10 gotas de lubricante para herramientas neumáticas metabo HPT a la entrada de aire de la grapadora dos veces al día.

### CUIDADOS PARA CLIMAS FRÍOS

- No guarde la grapadora en lugares fríos. Déjelo en un lugar cálido antes de comenzar a trabajar.
- Si la grapadora está fría, póngala en un lugar cálido y deje que se caliente antes de utilizarla.
  - ① Reduzca la presión de aire a 64 psi (4.4 barias 4.5 kgf/cm<sup>2</sup>).
  - ② Quite todas las grapas de la grapadora.
  - ③ Conecte la manguera de aire y dispare (disparo en vacío) la grapadora.  
La reducción de la presión de aire será suficiente para disparar en vacío la grapadora.  
La operación a baja velocidad tiende a calentar las partes móviles.

### ⚠ PRECAUCIÓN

- No dispare en vacío la grapadora a alta presión.

**PRUEBA DE LA GRAPADORA**

**⚠ PELIGRO**



● Los operadores y demás personas que se encuentren en el área de trabajo **DEBEN** usar gafas protectoras con blindajes laterales que cumplan con las especificaciones ANSI Z87.1. Las gafas ordinarias no brindan una protección adecuada.

**⚠ ADVERTENCIA**

● **No utilice nunca la grapadora a menos que la palanca de empuje funcione adecuadamente.**

Antes de comenzar el trabajo, pruebe la grapadora utilizando la lista de comprobaciones siguiente. Realice las comprobaciones en el orden indicado.

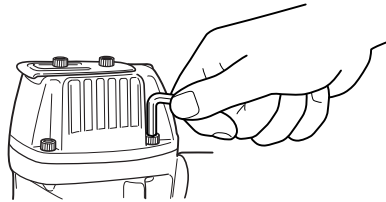
Si se produce alguna operación anormal, deje de utilizar la grapadora y póngase inmediatamente en contacto con un centro de reparaciones autorizado por metabo HPT.

(1) **DESCONECTE LA MANGUERA DE AIRE DE LA GRAPADORA.**

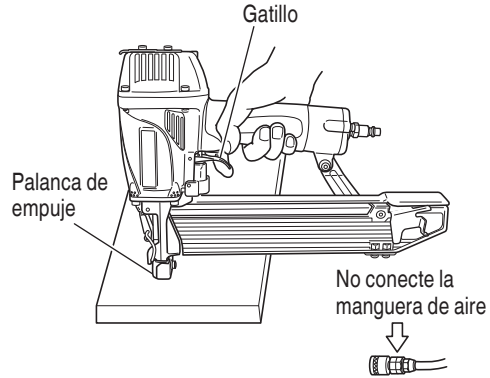
**QUITE TODAS LAS GRAPAS DE LA GRAPADORA.**

**TODOS LOS TORNILLOS DEBERÁN ESTAR BIEN APRETADOS.**

Si hay algún tornillo flojo, apriételo.



**LA PALANCA DE EMPUJE Y EL GATILLO DEBERÁN PODER ACCIONARSE SIN DIFICULTAD.**



(2) **Ajuste la presión del aire a 70 psi (4.9 barías 5 kgf/cm<sup>2</sup>).** Conecte la manguera de aire.

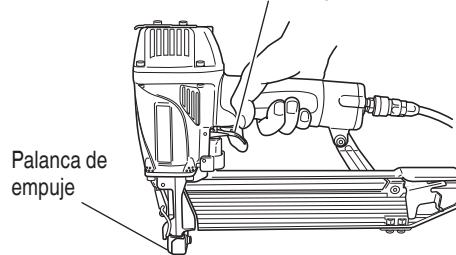
**No cargue grapas en la grapadora.**

**LA GRAPADORA NO DEBERÁ TENER FUGAS DE AIRE.**

Sujete la grapadora hacia abajo y apriete el gatillo.

**LA GRAPADORA NO DEBERÁ FUNCIONAR.**

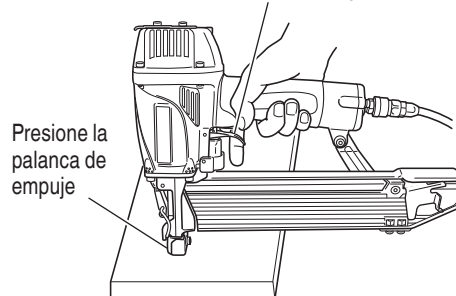
Apriete el gatillo



(3) **Con el dedo en el gatillo, presione la palanca de empuje contra la pieza de trabajo.**

**LA GRAPADORA NO DEBE OPERAR.**

No apriete el gatillo





- (4) Sin tocar el gatillo, presione la palanca de empuje contra la pieza de trabajo. Apriete el gatillo.

LA GRAPADORA DEBE OPERAR.

- (5) Con la grapadora fuera de la pieza de trabajo, usted podrá cargar grapas en la misma. Inserte las grapas en la pieza de trabajo adecuadas a la aplicación.

LA GRAPADORA DEBERÁ FUNCIONAR.

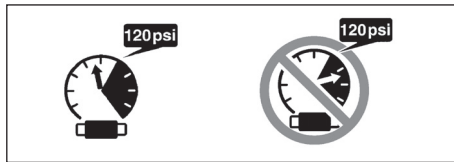
- (6) Si no observa nada anormal, cargue grapas en la grapadora.

Clave en la pieza de trabajo las mismas grapas que vaya a utilizar en la aplicación real.

LA GRAPADORA DEBERÁ FUNCIONAR ADECUADAMENTE.

#### AJUSTE DE LA PRESIÓN DE AIRE

##### ⚠ ADVERTENCIA



- No sobrepase 120 psi (8.3 barías 8.5 kgf/cm<sup>2</sup>).

Ajuste la presión del aire al valor recomendado, 70 – 120 psi (4.9 – 8.3 barías 5 – 8.5 kgf/cm<sup>2</sup>) de acuerdo con la longitud de las grapas y la dureza de la pieza de trabajo.

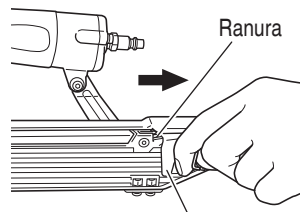
La presión de aire correcta es la más baja con la que pueda realizarse el trabajo. La utilización de la grapadora con una presión de aire más alta de la requerida lo forzará innecesariamente.

#### CARGA DE GRAPAS

##### ⚠ ADVERTENCIA

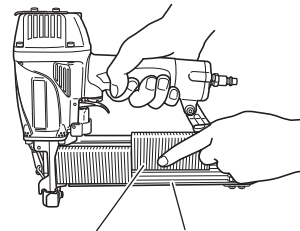
- Cuando cargue las grapas en la grapadora,
  - 1) no apriete el gatillo;
  - 2) no apriete la palanca de empuje; y
  - 3) mantenga la grapadora apuntando hacia abajo.

- (1) Tire del alimentador de grapas hacia atrás y fíjelo firmemente a la ranura del cargador.



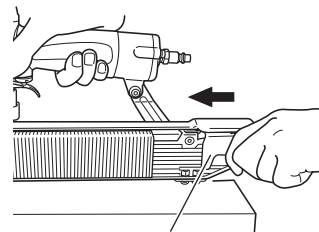
Alimentador de grapas

- (2) Coloque la tira de grapas sobre el cargador. Asegúrese de que la tira de grapas se deslice libremente sobre el cargador.



Grapas Cargador

- (3) Tire del alimentador de grapas hacia atrás. Luego, sepárelo de la ranura del cargador y regrese suavemente el alimentador de grapas como si lo estuviera empujando levemente, evitando cualquier posible impacto.



Alimentador de grapas

La grapadora habrá quedado lista ahora para poder utilizarse.

##### ⚠ PRECAUCIÓN

Si libera repentinamente el alimentador de grapas, podrá retornar con brusquedad, provocando deformación y/o dispersión, y eventualmente, el bloqueo de las grapas.

Asegúrese de regresar el alimentador de grapas con suavidad, evitando cualquier posible impacto.

## OPERACIÓN DE LA GRAPADORA

Lea la sección titulada “SEGURIDAD” (páginas 39–43).

### ⚠ PELIGRO



- Los operadores y demás personas que se encuentren en el área de trabajo **DEBEN** usar gafas protectoras con blindajes laterales que cumplan con las especificaciones ANSI Z87.1.

Las gafas ordinarias no brindan una protección adecuada.

### ⚠ ADVERTENCIA



- Solo las personas que hayan leído y comprenden este **MANUAL** pueden utilizar la grapadora.
- No dirija **NUNCA** la herramienta hacia sí mismo o hacia otras personas del área de trabajo.
- Mantenga los dedos **ALEJADOS** del gatillo cuando no clave grapas, para evitar descargas accidentales.
- Conozca y comprenda el sistema de grapadora que está utilizando. Por favor lea y comprenda la sección “MÉTODOS DE OPERACIÓN” a continuación.
- Nunca coloque las manos o el cuerpo a menos de 8 pulgadas (200 mm) del cabezal de disparo cuando lo use.
- No clave grapas en otras grapas, las grapas pueden rebotar y herir a alguien.
- No accione la grapadora a menos que esté firmemente colocado contra la pieza de trabajo.
- Para evitar el doble disparo o la expulsión inesperado de un clavo debido al rebote de la grapadora,
  - 1) no empuje la grapadora con demasiada fuerza contra la pieza de trabajo;
  - 2) separe la grapadora de la pieza de trabajo utilizando el coletazo;
  - 3) suelte el gatillo rápidamente después del disparo.

- Cuando trabaje cerca del borde de una pieza de trabajo o en ángulos muy agudos, o al clavar grapas en una pieza de trabajo fina, tenga cuidado para minimizar la aparición de virutas, astillas y divisiones, o el vuelo libre, el rebote o la perforación de las grapas, ya que podrían causar lesiones.
- No clave nunca grapas desde ambos lados de una pared al mismo tiempo. Las grapas podrían traspasar la pared y lesionar a la persona de la otra parte.
- No utilice nunca una grapadora defectuosa o que funcione anormalmente.
- No utilice la grapadora a modo de martillo.
- Desconecte la manguera de aire de la grapadora cuando:
  - 1) no vaya a utilizarla;
  - 2) vaya a abandonar el área de trabajo;
  - 3) la eleve, la descienda o de otra manera vaya a trasladarla a otro lugar;
  - 4) vaya a entregársela a otra persona;
  - 5) realice mantenimientos o reparaciones;
  - 6) desatasque la grapadora;
  - 7) la grapadora está fuera de la supervisión o el control del operador;
  - 8) remueve grapas del cartucho; y
  - 9) ajuste la profundidad de engrapado;

Esta grapadora metabo HPT posee un MECANISMO DE DISPARO POR CONTACTO ESTÁNDAR (Disparo con rebote). También existe un juego de MECANISMO DE DISPARO SECUENCIAL OPCIONAL (DISPARO ÚNICO), con número de pieza de pedido 876762.

EL MECANISMO DE DISPARO POR CONTACTO ESTÁNDAR (Disparo con rebote) es para utilizarse cuando se desee clavar rápidamente clavos y haya que seguir los “Métodos de operación”.

### MÉTODOS DE OPERACIÓN

Esta grapadora está equipada con una palanca de empuje, y no funcionará a menos que ésta esté presionada (posición hacia arriba).

Existen dos métodos de operación para clavar grapas con esta grapadora.

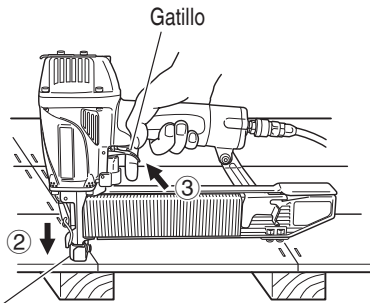
Estos métodos son:

1. Operación intermitente (Disparo con el gatillo);
  2. Operación continua (Disparo con la palanca de empuje);
- (1) Operación intermitente (Disparo con el gatillo)
- ① Coloque la salida de las grapas sobre la pieza de trabajo con el dedo fuera del gatillo.
  - ② Presione a fondo la palanca de empuje.

③ Apriete el gatillo para clavar la grapa.

④ Separe el dedo del gatillo.

Para clavar otra grapa, mueva la grapadora hasta la posición siguiente de la pieza de trabajo y repita este procedimiento.



Palanca de empuje

(2) Operación continua (Disparo con la palanca de empuje)

### ⚠ ADVERTENCIA

● Para evitar el doble disparo o el disparo accidental debido a la reculada.

1) No presione la grapadora contra la pieza de trabajo con fuerza excesiva.

2) Separe la grapadora de la pieza de trabajo mientras la repliega.

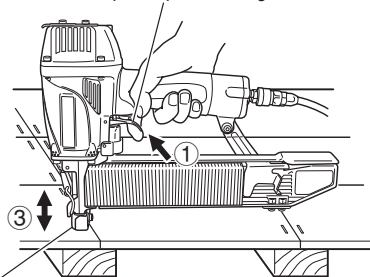
① Accione el gatillo con la grapadora fuera de la pieza de trabajo.

② Presione la palanca de empuje contra la pieza de trabajo para clavar una grapa.

③ Desplace la grapadora por la pieza de trabajo con un movimiento de rebote. Con cada presión de la palanca de empuje se clavará una grapa.

Después de haber clavado las grapas necesarias, separe el dedo del gatillo.

Apriete primero el gatillo



Palanca de empuje

### ⚠ ADVERTENCIA

● Mantenga el dedo separado del gatillo excepto durante la operación, porque esto podría resultar en lesiones si la palanca de presión entrase en contacto con su cuerpo o con el de otras personas del área de trabajo.

● Mantenga las manos y el cuerpo alejados del área de descarga. La grapadora con mecanismo de disparo por contacto puede rebotar una grapa ya clavada y clavar otra no deseada, provocando una posible lesión.

● Algunos tipos de grapas cargadas pueden salirse de la boca durante la operación de clavado de grapas. ¡Tenga cuidado!

EL MECANISMO DE DISPARO SECUENCIAL OPCIONAL (PIEZAS DE DISPARO ÚNICO) es para clavar clavos con precisión y deberá utilizarse de acuerdo con el "Método de operación" siguiente.

Usted tendrá que presionar en primer lugar la palanca de empuje (posición superior) cuando desee introducir una grapa, y apriete el gatillo. Después de haber introducido cada grapa, suelte completamente el gatillo y levante la herramienta de la superficie de trabajo. El MECANISMO DE DISPARO SECUENCIAL OPCIONAL puede reducir la posibilidad de lesiones tanto personales como de otras personas del área de trabajo. Esto se debe a que es menos probable que pueda introducir grapas si mantiene el disparador apretado y golpea accidentalmente la palanca de empuje contra su cuerpo o el de otras personas. El MECANISMO DE DISPARO SECUENCIAL OPCIONAL puede reducir también la velocidad de operación en comparación con el mecanismo de disparo por contacto estándar.

### NOTA:

● Tanto el MECANISMO DE DISPARO POR CONTACTO ESTÁNDAR como el MECANISMO DE DISPARO SECUENCIAL OPCIONAL serán seguros si se utilizan como se ha descrito y de acuerdo con todas las advertencias e instrucciones.

● Maneje con cuidado el paquete de grapas. Si las grapas se cayesen, el adhesivo de la ristra podría romperse.

● Después de haber clavado grapas:

- 1) desconecte la manguera de aire de la grapadora;
- 2) extraiga todas las grapas de la grapadora;
- 3) aplique 5 - 10 gotas de lubricante para herramientas neumáticas metabo HPT a la entrada de aire de la grapadora; y
- 4) abra la llave de escape del depósito del compresor de aire para drenar la humedad que pueda existir.

## AJUSTE DE LA PROFUNDIDAD DE GRAPADO

### ⚠ ADVERTENCIA

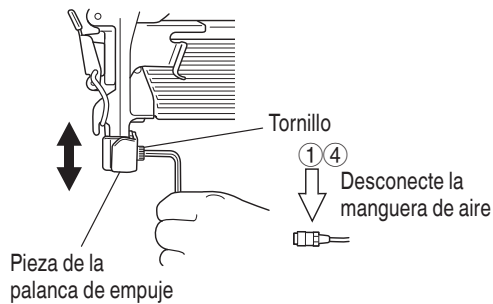
- Al efectuar el ajuste del ajustador, asegúrese de retirar su dedo del disparador y de desconectar la manguera de aire del grapadora.

Para asegurar que cada grapa penetre con la misma profundidad, cerciórese de que:

- 1) la presión de aire suministrada a la grapadora permanezca constante (regulador instalado y trabajando adecuadamente), y
- 2) esté sujetando firmemente la grapadora contra la pieza de trabajo.

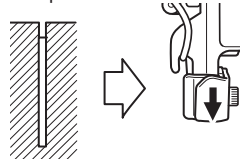
Si las grapas penetran demasiado o demasiado poco en la pieza de trabajo, realice el ajuste en el orden siguiente.

- ① DESCONECTE LA MANGUERA DE AIRE DE LA GRAPADORA.

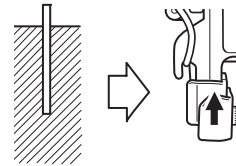


- ② Para ajustar la profundidad de penetración de la grapa, afloje el tornillo que asegura a la pieza de la palanca de empuje. Para introducir la grapa profundamente, ajuste la pieza de la palanca de empuje a "down" (abajo), y para introducirla superficialmente, ajuste a "up" (arriba).

Demasiada profundidad



Poca profundidad



- ③ Apriete el tornillo que sujeta a la pieza de la palanca de ajuste cuando se alcance la posición adecuada para una prueba de grapado.
- ④ Conecte la manguera de aire. UTILICE SIEMPRE GAFAS PROTECTORAS PARA LOS OJOS. Realice un test de engrapado.
- ⑤ DESCONECTE LA MANGUERA DE AIRE DE LA GRAPADORA.
- ⑥ Elija la posición adecuada para el ajustador.

## MANTENIMIENTO

### NOTA:

La información contenida en este manual ha sido diseñada para ayudarle a mantener con seguridad esta grapadora.

Algunas ilustraciones de este manual pueden mostrar detalles o dispositivos diferentes a los de su propia grapadora.

### MANTENIMIENTO E INSPECCIÓN

Lea la sección titulada "SEGURIDAD" (páginas 39 – 43).

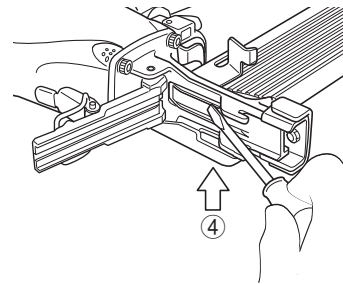
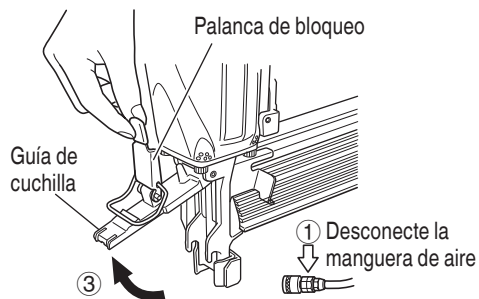
#### ⚠ ADVERTENCIA

- **Desconecte la manguera y extraiga todas las grapas de la grapadora antes de:**
  - 1) realizar trabajos de mantenimiento e inspección; y
  - 2) desatascar la grapadora.

1. Desatasco de una grapa
 

Quite la grapa atascada en el orden siguiente:

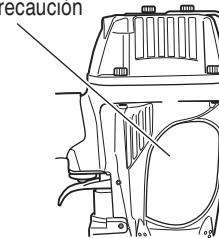
  - ① DESCONECTE LA MANGUERA DE AIRE.
  - ② Quite todas las grapas.
  - ③ Suelte la palanca de bloqueo y abra la guía de la cuchilla.
  - ④ Extraiga la grapa atascada con un destornillador de punta plana.
  - ⑤ Cierre la guía de la cuchilla y guía de la cuchilla y el enganche.
  - ⑥ En caso de atasco frecuente, póngase en contacto con un centro de reparaciones autorizado por metabo HPT.



2. Almacenamiento
  - Cuando no vaya a utilizar la grapadora durante mucho tiempo, aplique una capa fina de lubricante a las piezas de acero para evitar que se oxiden.
  - No guarde la grapadora en un lugar frío. Guarde la grapadora en un lugar cálido.
  - Cuando no vaya a utilizar la grapadora, deberá guardarla en un lugar cálido y seco. Mantenga la grapadora fuera del alcance de los niños.
3. ETIQUETA DE PRECAUCIÓN
 

No utilice la grapadora si la ETIQUETA DE ADVERTENCIA falta o está dañada. Solicite la nueva ETIQUETA DE PRECAUCIÓN a un centro de reparaciones autorizado por metabo HPT.

Etiqueta de precaución



4. Tabla de mantenimiento (Página 54)
5. Solución de problemas por parte del operador (Página 55)

6. Lista de repuestos  
 A: N.º. ítem  
 B: N.º. código  
 C: N.º. usado  
 D: Observaciones

**⚠ PRECAUCIÓN**

- La reparación, modificación e inspección de las herramientas eléctricas metabo HPT deben ser realizadas por un Centro de Servicio Autorizado de metabo HPT.

Esta lista de repuestos será de utilidad si es presentada junto con la herramienta al Centro de Servicio Autorizado de metabo HPT para solicitar la reparación o cualquier otro tipo de mantenimiento.

En el manejo y el mantenimiento de las herramientas eléctricas, se deberán observar las normas y reglamentos vigentes en cada país.

**MODIFICACIONES:**

metabo HPT Power Tools introduce constantemente mejoras y modificaciones para incorporar los últimos avances tecnológicos.

Por consiguiente, algunas partes (por ejemplo, números de códigos y/o diseño) pueden ser modificadas sin previo aviso.

Tabla de mantenimiento

ACCIÓN	PARA	CÓMO
Drenaje diario del filtro de la línea de aire.	Evitar la acumulación de humedad y suciedad.	Abra la llave de escape manual.
Mantenimiento del lubricador lleno.	Mantener la grapadora lubricada.	Rellene con lubricante para herramientas neumáticas metabo HPT.
Limpie el elemento de filtrado y sople aire a través del filtro en dirección opuesta al flujo normal diario.	Evitar que el filtro se atasque con suciedad.	Siga las instrucciones del fabricante.
Limpie el cargador y el mecanismo del alimentador.	Evitar atascos.	Sople diariamente.
Mantenimiento de la palanca de empuje en perfectas condiciones.	Garantizar la seguridad del operador y la operación eficaz de la grapadora.	Sople diariamente.
Lubricación de la grapadora después de haberla utilizada.	Prolongar la duración de la grapadora.	Aplique 5 – 10 gotas de lubricante a la grapadora.
Drene el compresor de aire todos los días.	Mantener la grapadora en buenas condiciones de operación.	Abra la llave de de operación.

**SERVICIO Y REPARACIONES**

**⚠ ADVERTENCIA**

- Esta grapadora solamente deberá repararla personal entrenado por metabo HPT, un distribuidor, o el empresario.
- Para la reparación, utilice solamente las piezas suministradas o recomendadas por metabo HPT.

Todas las grapadoras de calidad requerirán el servicio de mantenimiento o de reemplazo de piezas debido al desgaste con la utilización normal.

**NOTA:**

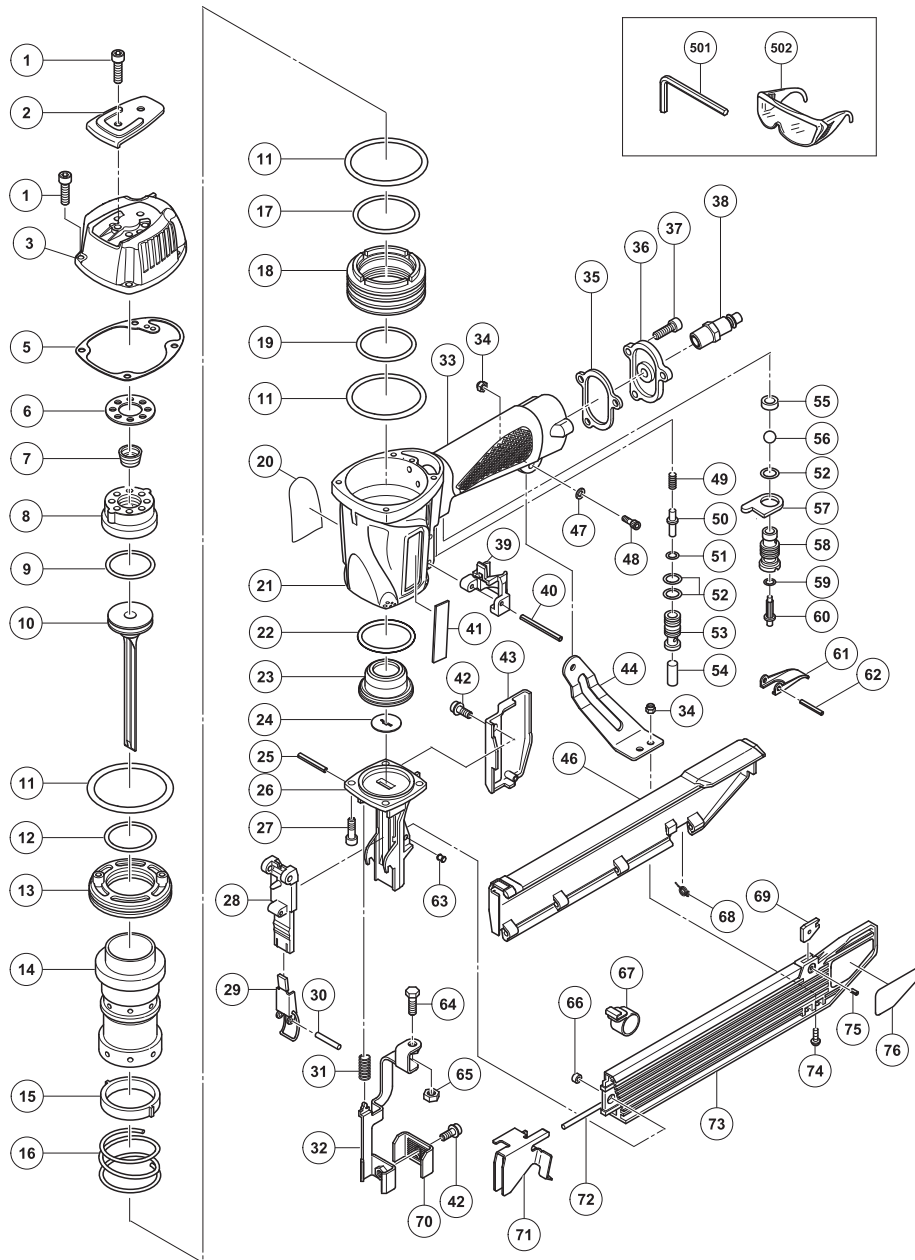
Las especificaciones están sujetas a cambio sin previo aviso sin ninguna obligación por parte de metabo HPT.

## Solución de problemas por parte del operador

La mayoría de los problemas sin importancia podrán resolverse fácilmente utilizando la tabla siguiente.  
Si el problema persiste, póngase en contacto con un centro de reparaciones autorizado por metabo HPT.

PROBLEMA	MÉTODO DE COMPROBACIÓN	SOLUCIÓN
La grapadora funciona pero las grapas no se introducen.	Compruebe si está atascado.	Desatasque como se indica en la página 53.
	¿Está dañado el alimentador de grapas?	Reemplace el alimentador de grapas.
	¿Está flojo o dañado el resorte de cinta?	Reemplácelo.
	Compruebe si las grapas son las apropiadas.	Utilice solamente las grapas recomendadas.
Poca fuerza. Reciclado lento.	Compruebe la presión de aire.	Aumente la presión de aire. (No sobrepase 120 psi (8.3 barías, 8.5 kgf/cm <sup>2</sup> ))
	Controle la posición del ajustador de profundidad de engrapado.	Reajuste de acuerdo a la página 52.
	-----	Utilice lubricante para neumáticos metabo HPT.
	¿Está gastada la cuchilla impulsora? ¿Está desgastada o dañada la junta tórica del pusón?	Solicite otra de reemplazo a metabo HPT.
Las grapas penetran demasiado.	Compruebe la presión de aire.	Reduzca la presión de aire. (Ajustela a 70 – 120 psi (4.9 – 8.3 barías, 5 – 8.5 kgf/cm <sup>2</sup> ))
	Controle la posición del ajustador de profundidad de engrapado.	Reajuste de acuerdo a la página 52.
Salto de grapas. Alimentación intermitente.	Compruebe si las grapas las apropiadas.	Utilice solamente las grapas recomendadas.
	¿Está dañado el alimentador de grapas?	Reemplace el alimentador de grapas.
	¿Está flojo o dañado el resorte de cinta?	Reemplácelo.
	¿Está desgastada o dañada la junta tórica del pistón?	Póngase en contacto con metabo HPT para reemplazarlo.
Grapas atascadas. Las grapas se clavan dobladas.	Compruebe si las grapas son las apropiadas.	Utilice solamente las grapas recomendadas.
	¿Está gastada la cuchilla impulsora?	Póngase en contacto con metabo HPT para reemplazarlo.
El funcionamiento es normal, pero no es posible grapar a gran velocidad.	Compruebe el diámetro interior de la manguera de aire.	Utilice otra manguera de aire de mayor diámetro.

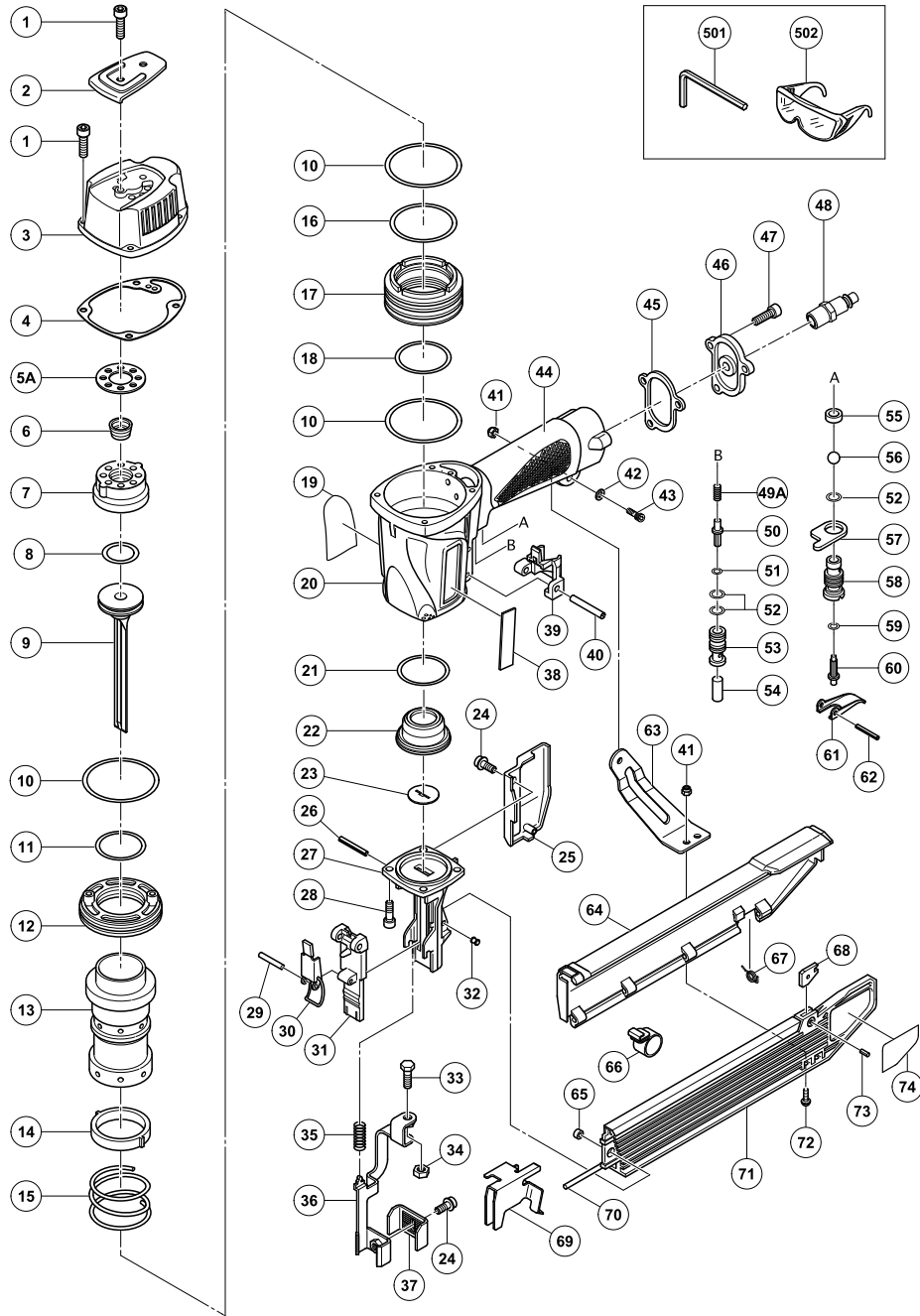
N5008AC2





A	B	C	D	A	B	C	D
1	949757	6	M5 × 20	41	886342	1	
2	876179	1		42	878540	2	M5 × 8
3	886444	1		43	883724	1	
5	883892	1		44	883723	1	
6	886466	1		46	883718	1	
7	878539	1		47	876205	1	
8	878026	1		48	949658	1	M5 × 18
9	876174	1		49	886725	1	
10	883716	1		50	878542	1	
11	885793	3	I.D. 64.5	51	877705	1	
12	877126	1		52	875638	3	S-12
13	876168	1		53	877880	1	
14	885792	1		54	877882	1	
15	876167	1		55	878734	1	
16	876172	1		56	875645	1	D7.14
17	877123	1		57	875644	1	
18	877122	1		58	877335	1	
19	877124	1		59	874820	1	
20	————	1		60	878121	1	
21	886443	1	“33”	61	876203	1	
22	877125	1		62	949866	1	D3 × 30
23	886434	1		63	881044	1	
24	883712	1		64	875650	1	
25	949547	1	D4 × 36	65	949555	1	M5
26	886717	1		66	881045	1	
27	878181	4	M5 × 16	67	881047	1	
28	886718	1		68	881043	1	
29	886441	1		69	881039	1	
30	949685	1	D3 × 20	70	883715	1	
31	877873	1		71	886724	1	
32	883714	1		72	883719	1	
33	————	1		73	883717	1	“69, 75”
34	877371	3	M5	74	678653	2	M5 × 14
35	886719	1		75	881040	1	D3 × 6
36	885795	1		76	————	1	
37	949821	3	M5 × 16	501	944458	1	4MM
38	————	1		502	875769	1	
39	884356	1					
40	884025	1	D3 × 45				

N5010A



A	B	C	D	A	B	C	D
1	949757	6	M5 × 20	41	877371	3	M5
2	876179	1		42	876205	1	
3	886444	1		43	949658	1	M5 × 18
4	883892	1		44	—————	1	
5A	886466	1		45	877131	1	
6	878539	1		46	885795	1	
7	878026	1		47	949821	3	M5 × 16
8	876174	1		48	—————	1	
9	886437	1		49A	886725	1	
10	885793	3	I.D. 64.5	50	878542	1	
11	877126	1		51	877705	1	
12	876168	1		52	875638	3	S-12
13	885792	1		53	877880	1	
14	876167	1		54	877882	1	
15	876172	1		55	878734	1	
16	877123	1		56	875645	1	D7.14
17	877122	1		57	875644	1	
18	877124	1		58	877335	1	
19	—————	1		59	874820	1	
20	886443	1	INCLUD.44	60	878121	1	
21	877125	1		61	876203	1	
22	886434	1		62	949866	1	D3 × 30
23	886435	1		63	886442	1	
24	878540	2	M5 × 8	64	883718	1	
25	883724	1		65	881045	1	
26	949547	1	D4 × 36	66	881047	1	
27	886436	1		67	881043	1	
28	878181	4	M5 × 16	68	881039	1	
29	949685	1	D3 × 20	69	886439	1	
30	886441	1		70	883719	1	
31	886440	1		71	886438	1	"68, 73"
32	881044	1		72	678653	2	M5 × 14
33	875650	1		73	949749	1	D3 × 8
34	949555	1	M5	74	—————	1	
35	877873	1		501	944458	1	4MM
36	883714	1		502	875769	1	
37	883715	1					
38	886342	1					
39	884356	1					
40	884025	1	D3 × 45				

Issued by

**Koki Holdings Co., Ltd.**

Shinagawa Intercity Tower A, 15-1, Konan 2-chome,  
Minato-ku, Tokyo 108-6020, Japan

Distributed by

**Koki Holdings America Ltd.**

1111 Broadway Ave,  
Braselton, Georgia, 30517

**Koki Holdings America Ltd. Canadian Branch**

3405 American Drive, Units 9-10,  
Mississauga, ON, L4V 1T6

806

Code No. C99178862 T  
Printed in Taiwan