

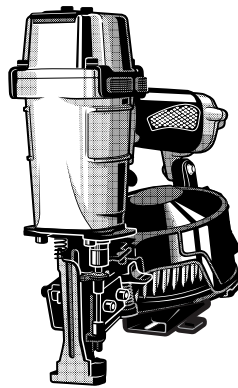
# metabo **HPT**

**Instruction and safety manual**  
**Manuel d'instructions et de sécurité**  
**Instrucciones y manual de seguridad**

**Model**  
**Modèle**  
**Modelo**

**NV 45AB2**

**Nailer**  
**Cloueur**  
**Clavador**



**⚠ DANGER**

Improper use of this Nailer can result in death or serious injury!  
This Manual contains important information about product safety.  
Read and understand this Manual before operating the Nailer.  
Never allow anyone who has not reviewed this manual to use the tool.  
This manual should be stored in safe place.

**⚠ DANGER**

Une utilisation incorrecte et sans respecter la sécurité de ce cloueur risque d'entraîner la mort ou des blessures graves !  
Ce manuel renferme des instructions importantes sur la sécurité de l'outil.  
Lire et bien assimiler ce manuel avant d'utiliser le cloueur.  
Cet outil ne doit jamais être utilisé par une personne n'ayant pas pris connaissance du manuel.  
Ce mode d'emploi doit être conservé dans un endroit sûr.

**⚠ PELIGRO**

¡La utilización inadecuada e insegura de este clavador puede resultar en lesiones serias o en la muerte!  
Este manual contiene información importante sobre la seguridad del producto.  
Lea y entienda este manual antes de utilizar el martillo neumático.  
La herramienta no deberá utilizarse sin haber leído previamente este manual.  
Este manual debe ser guardado en un lugar seguro.

## CONTENTS

| English                                                             | Page |                                   | Page |
|---------------------------------------------------------------------|------|-----------------------------------|------|
| IMPORTANT SAFETY INFORMATION .....                                  | 3    | APPLICATIONS .....                | 11   |
| DEFINITIONS OF SIGNAL WORDS .....                                   | 3    | BEFORE OPERATION .....            | 11   |
| EXPLANATION OF THE NAILING ACTION OF<br>THE metabo HPT NAILER ..... | 3    | WORKING ENVIRONMENT .....         | 11   |
| <b>SAFETY</b>                                                       |      | AIR SUPPLY .....                  | 11   |
| IMPORTANT SAFETY INSTRUCTIONS -<br>FOR USING NAILERS .....          | 4    | LUBRICATION .....                 | 12   |
| RESPONSIBILITIES OF EMPLOYER, TOOL<br>OWNER AND TOOL OPERATOR ..... | 8    | COLD WEATHER CARE .....           | 12   |
| <b>OPERATION</b>                                                    |      | TESTING THE NAILER .....          | 12   |
| NAME OF PARTS .....                                                 | 9    | ADJUSTING AIR PRESSURE .....      | 13   |
| SPECIFICATIONS .....                                                | 10   | LOADING NAILS .....               | 13   |
| NAIL SELECTION .....                                                | 10   | NAILER OPERATION .....            | 14   |
| ACCESSORIES .....                                                   | 10   | METHODS OF OPERATION .....        | 15   |
| STANDARD ACCESSORIES .....                                          | 10   | USING THE SHINGLE GUIDE .....     | 16   |
| OPTIONAL ACCESSORIES .....                                          | 11   | ADJUSTING THE NAILING DEPTH ..... | 16   |
|                                                                     |      | <b>MAINTENANCE</b>                |      |
|                                                                     |      | MAINTENANCE AND INSPECTION .....  | 18   |
|                                                                     |      | SERVICE AND REPAIRS .....         | 20   |
|                                                                     |      | PARTS LIST .....                  | 62   |

## TABLE DES MATIÈRES

| Français                                                                                            | Page |                                              | Page |
|-----------------------------------------------------------------------------------------------------|------|----------------------------------------------|------|
| INFORMATION IMPORTANTE DE SÉCURITÉ .....                                                            | 22   | APPLICATIONS .....                           | 30   |
| DEFINITION DES MOTS DE SIGNALISATION .....                                                          | 22   | AVANT L'UTILISATION .....                    | 30   |
| EXPLICATION DE L'ACTION DE CLOUAGE DU<br>CLOUEUR metabo HPT .....                                   | 22   | ENVIRONNEMENT DE TRAVAIL .....               | 30   |
| <b>SECURITE</b>                                                                                     |      | ALIMENTATION D'AIR .....                     | 30   |
| CONSIGNES DE SÉCURITÉ IMPORTANTES POUR<br>L'UTILISATION DU CLOUEUR .....                            | 23   | GRAISSAGE .....                              | 31   |
| RESPONSABILITÉS DE L'EMPLOYEUR,<br>DU PROPRIÉTAIRE DE L'OUTIL ET DE<br>L'OPÉRATEUR DE L'OUTIL ..... | 27   | ENTRETIEN PAR TEMPS FROID .....              | 31   |
| <b>UTILISATION</b>                                                                                  |      | ESSAI DU CLOUEUR .....                       | 31   |
| NOM DES PIÈCES .....                                                                                | 28   | RÉGLAGE DE LA PRESSION D'AIR .....           | 32   |
| SPECIFICATIONS .....                                                                                | 29   | CHARGEMENT DES CLOUS .....                   | 32   |
| SELECTION DES CLOUS .....                                                                           | 29   | UTILISATION DU CLOUEUR .....                 | 34   |
| ACCESSOIRES .....                                                                                   | 29   | MÉTHODES D'UTILISATION .....                 | 35   |
| ACCESSOIRES STANDARD .....                                                                          | 29   | UTILISATION DU GUIDE A BARDEAU .....         | 36   |
| ACCESSOIRES EN OPTION .....                                                                         | 30   | RÉGLAGE DE LA PROFONDEUR DE<br>CLOUAGE ..... | 36   |
|                                                                                                     |      | <b>ENTRETIEN</b>                             |      |
|                                                                                                     |      | ENTRETIEN ET INSPECTION .....                | 37   |
|                                                                                                     |      | ENTRETIEN ET REPARATIONS .....               | 39   |
|                                                                                                     |      | LISTE DES PIÈCES .....                       | 62   |

## ÍNDICE

| Español                                                                                                       | Página |                                              | Página |
|---------------------------------------------------------------------------------------------------------------|--------|----------------------------------------------|--------|
| INFORMACIÓN IMPORTANTE SOBRE<br>SEGURIDAD .....                                                               | 42     | APLICACIONES .....                           | 50     |
| DEFINICIÓN DE LAS PALABRAS CLAVE .....                                                                        | 42     | ANTES DE LA OPERACIÓN .....                  | 50     |
| EXPLICACIÓN LA ACCIÓN DE CLAVADO DEL<br>CLAVADOR metabo HPT .....                                             | 42     | ENTORNO DE TRABAJO .....                     | 50     |
| <b>SEGURIDAD</b>                                                                                              |        | SUMINISTRO DE AIRE .....                     | 50     |
| INSTRUCCIONES IMPORTANTES DE SEGURIDAD<br>PARA LA UTILIZACIÓN DEL CLAVADOR .....                              | 43     | LUBRICACIÓN .....                            | 51     |
| RESPONSABILIDADES DEL EMPLEADOR, EL<br>PROPIETARIO DE LA HERRAMIENTA Y EL<br>OPERADOR DE LA HERRAMIENTA ..... | 47     | CUIDADOS PARA CLIMAS FRÍOS .....             | 51     |
| <b>OPERACIÓN</b>                                                                                              |        | PRUEBA DEL CLAVADOR .....                    | 51     |
| NOMENCLATURA .....                                                                                            | 48     | AJUSTE DE LA PRESIÓN DE AIRE .....           | 52     |
| ESPECIFICACIONES .....                                                                                        | 49     | CARGA DE CLAVOS .....                        | 53     |
| SELECCIÓN DE CLAVOS .....                                                                                     | 49     | OPERACIÓN DEL CLAVADOR .....                 | 54     |
| ACCESORIOS .....                                                                                              | 49     | MÉTODOS DE OPERACIÓN .....                   | 55     |
| ACCESORIOS ESTÁNDAR .....                                                                                     | 49     | EMPLEO DE LA GUÍA PARA TEJAMANILES .....     | 56     |
| ACCESORIOS OPCIONALES .....                                                                                   | 50     | AJUSTE DE LA PROFUNDIDAD DE<br>CLAVADO ..... | 56     |
|                                                                                                               |        | <b>MANTENIMIENTO</b>                         |        |
|                                                                                                               |        | MANTENIMIENTO E INSPECCIÓN .....             | 58     |
|                                                                                                               |        | SERVICIO Y REPARACIONES .....                | 60     |
|                                                                                                               |        | LISTA DE PIEZAS .....                        | 62     |

---

## IMPORTANT SAFETY INFORMATION

---



Read and understand tool labels and all of the operating instructions, safety precautions and warnings in this manual before operating or maintaining this Nailer.  
Failure to follow warnings could result in DEATH or SERIOUS INJURY

Most accidents that result from the operation and maintenance of Nailers are caused by the failure to observe basic safety rules or precautions. An accident can often be avoided by recognizing a potentially hazardous situation before it occurs, and by observing appropriate safety procedures.

Basic safety precautions are outlined in the "SAFETY" section of this Manual and in the sections which contain the operation and maintenance instructions.

Hazards that must be avoided to prevent bodily injury or machine damage are identified by DANGERS and WARNINGS on the Nailer and in this Manual.

**NEVER** use this Nailer for applications other than those specified in this Manual.

---

## DEFINITIONS OF SIGNAL WORDS

---

**DANGER** indicates an imminently hazardous situation which, if not avoided, will result in death or serious injury.

**WARNING** indicates a potentially hazardous situation which, if not avoided, could result in death or serious injury.

**CAUTION** indicates a potentially hazardous situation which, if not avoided, may result in minor or moderate injury, or may cause machine damage.

**NOTE** emphasizes essential information.

---

## EXPLANATION OF THE NAILING ACTION OF THE metabo HPT NAILER

---

- CONTACT ACTUATION MECHANISM:
  - First, press the push lever against the wood; next, pull the trigger to drive the fastener.
  - First, pull the trigger; next, press the push lever against the wood to drive the fastener.
  - If the Trigger is held back, a nail will be driven each time the Push Lever is pressed against the wood.

## SAFETY

### IMPORTANT SAFETY INSTRUCTIONS - FOR USING NAILERS

#### INSTRUCTIONS PERTAINING TO A RISK OF FIRE, ELECTRIC SHOCK, OR INJURY TO PERSONS

● **General**

To reduce the risks of electric shock, fire, and injury to persons, **READ ALL THE INSTRUCTIONS BEFORE USING THE TOOL.**

**⚠ DANGER**

**1. OPERATORS AND OTHERS IN WORK AREA MUST WEAR EYE PROTECTION (SAFETY GLASSES WITH SIDE SHIELDS).**



When operating the Nailer, always wear safety glasses with side shields, and make sure others in work area wear safety glasses, too.

Safety glasses must conform to the requirements of American National Standards Institute, ANSI Z87.1 and provide protection against flying particles both from the front and side.

Ordinary eyeglasses do not provide adequate protection.

The employer must enforce the use of safety glasses by the Nailer operator and others in work area.

**2. NEVER USE REACTIVE GASES OR OTHER BOTTLED GASES. EXPLOSION MAY OCCUR.**



Never use reactive gases such as oxygen, combustible gases or any other bottled gases as a power source for the Nailer.

Use of the above gases is dangerous, as the Nailer will explode.

Use only clean, dry, regulated compressed air.

**⚠ WARNING**

**3. NEVER POINT TOOL AT YOURSELF OR OTHERS IN WORK AREA.**



Always assume that the Nailer contains fasteners.

Never point the Nailer toward yourself or others, whether it contains fasteners or not.

If fasteners are mistakenly driven, it can lead to severe injuries.

Never engage in horseplay with the Nailer.

Respect the Nailer as a working implement.

**4. DO NOT PLACE FINGER ON TRIGGER AND KEEP FINGERS AWAY FROM TRIGGER WHEN NOT DRIVING FASTENERS TO AVOID ACCIDENTAL DISCHARGE.**

Never carry the Nailer with finger on Trigger since you could drive a fastener unintentionally and injure yourself or someone else.

Always carry the Nailer by the handle only.

**5. KNOW AND UNDERSTAND WHAT TRIGGER SYSTEM YOU ARE USING.**

Read and understand section titled "METHODS OF OPERATION." (pages 15 – 16)

**6. DO NOT MAKE CONTACT WITH SAFETY TIP (PUSH LEVER) WHEN NOT DRIVING FASTENERS.**

## SAFETY — Continued

### ⚠ WARNING

When using tools, basic precautions should always be followed, including the following:

#### 1. Work area

- (1) **Keep the work area clean and well lighted.**

Cluttered benches and dark areas increase the risks of electric shock, fire, and injury to persons.

- (2) **Do not operate the Nailer in explosive atmospheres, such as in the presence of flammable liquids, gases, or combustible dust.**

The Nailer is able to create sparks resulting in the ignition of the dust or fumes.

- (3) **Keep bystanders, children, and visitors away while operating the Nailer.** Distractions are able to result in the loss of control of the Nailer.

#### 2. Personal safety

- (1) **Stay alert. Focus on your work and use common sense when working with the Nailer. Do not use the Nailer while tired, after having consumed drugs or alcohol, or while under the influence of medication.**

A moment of inattention while operating the Nailer increases the risk of injury to persons.

- (2) **Dress properly. Do not wear loose clothing or jewelry. Contain long hair. Keep hair, clothing, and gloves away from moving parts.**

Loose clothes, jewelry, or long hair increases the risk of injury to persons as a result of being caught in moving parts.

- (3) **Avoid unintentional starting. Be sure the switch is off before connecting to the air supply.** Do not carry the Nailer with your finger on the switch or connect the Nailer to the air supply with the switch on.

- (4) **⚠ WARNING** – **Disconnect the Nailer from the air source before making adjustments, doing Nailer maintenance, clearing jams, touching the Push Lever, when not in use, leaving work area, leaving the Nailer outside of the operator's supervision or control, loading, or unloading the Nailer, handing it to another person, elevating, lowering or otherwise moving the Nailer to a new location.** Never attempt to clear a jam or repair the Nailer unless you have disconnected air hose from the Nailer and removed all remaining fasteners from the Nailer. The Nailer should never be left unattended since people who are not familiar with the Nailer might handle it and injure the themselves.

Such precautionary measures reduce the risk of injury to persons.

- (5) **Do not overreach. Keep proper footing and balance at all times.** Proper footing and balance enables better control of the Nailer in unexpected situations.

- (6) **Use safety equipment.** A dust mask, non-skid safety shoes and a hard hat must be used for the applicable conditions.

- (7) **⚠ WARNING** – **Risk of hearing loss. Wear hearing protection.**

Hearing protection shall have a Noise Reduction Rating (NRR) determined in accordance with US Environmental Protection Agency rules that is appropriate for noise exposure.

- (8) **Always wear head protection. Always wear head protection to protect your head from flying objects.**

- (9) **Do not attach the hose or Nailer to your body.**

Attach the hose to the structure to reduce the risk of loss of balance if the hose shifts.

- (10) **⚠ WARNING** – **Drive Nails into proper work surface only.** Do not drive nail into other nails. This is able to cause the fastener to be deflected and hit someone, or cause the Nailer to react and result in a risk of injury to persons.

#### 3. Nailer use and care

- (1) **Use clamps or another practical way to secure and support the workpiece to a stable platform.**

Holding the work by hand or against the body is unstable and is able to lead to loss of control.

- (2) **Do not force the Nailer.** Use the correct Nailer for the application. The correct Nailer will do the job better and safer at the rate for which the Nailer is designed.

- (3) **Do not use the Nailer if the switch does not turn the Nailer on or off.** Any Nailer that cannot be controlled with the switch is dangerous and must be repaired.

**Never use Nailer which is defective or operating abnormally.** If the Nailer appears to be operating unusually, making strange noises, or otherwise appears defective, stop using it immediately and arrange for repairs by a metabo HPT authorized service center.

## SAFETY — Continued

### ⚠ WARNING

- (4) **Disconnect the Nailer from the air source before making any adjustments, changing accessories, or storing the Nailer.** Such preventive safety measures reduce the risk of starting the Nailer unintentionally.

- (5) **Store the Nailer when it is idle out of reach of children and other untrained persons.** A Nailer is dangerous in the hands of untrained users.

- (6) **Maintain the Nailer with care.** Keep the Nailer Clean and lubricated for better and safer performance.

- (7) **Check for misalignment or binding of moving parts, breakage of parts, and any other condition that may affect the Nailer's operation.**

If damaged, have the Nailer serviced before using. Because of high air pressure in the Nailer, cracks in the surface are dangerous. To avoid this, do not drop the Nailer or strike the Nailer against hard surfaces; and do not scratch or engrave signs on the Nailer. Many accidents are caused by poorly maintained Nailers. There is a risk of bursting if the Nailer is damaged.

- (8) **Do not use the Nailer that is not in proper working order. Tags and physical segregation shall be used for control.**

- (9) **Use only accessories that are identified by metabo HPT for the specific Nailer.** Use of an accessory not intended for use with the specific Nailer, increases the risk of injury to persons.

- (10) **Use only those fasteners listed in the Accessories section of this manual.** Fasteners not identified for use with this Nailer by metabo HPT are able to result in a risk of injury to persons or Nailer damage when used in this Nailer.

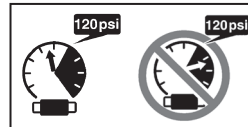
#### 4. Service

- (1) **Tool service must be performed only by qualified repair personnel.**
- (2) **When servicing a Nailer, use only identical replacement parts. Use only authorized parts.**
- (3) **Use only the lubricants supplied with the Nailer or specified by metabo HPT.**

#### 5. Air source

- (1) **Never connect to an air source that is capable of exceeding 200 psi (13.7 bar 14 kgf/cm<sup>2</sup>) if a regulator fails.**

Over pressurizing the Nailer is able to result in bursting, abnormal operation, breakage of the Nailer or serious injury to persons.



**DO NOT EXCEED 120 psi (8.3 bar 8.5 kgf/cm<sup>2</sup>).**

Use only clean, dry, regulated compressed air at the rated pressure or within the rated pressure range as marked on the Nailer.

Always verify prior to using the Nailer that the air source has been adjusted to the rated air pressure or within the rated air-pressure range.

- (2) **Never use reactive gases such as oxygen, carbon dioxide, combustible gases or any bottled gas as an air source for the Nailer.** Such gases are capable of explosion and serious injury to persons.

#### 6. Others

- (1) **Be careful of double fire and being hit by the Nailer due to spring back ("recoil").**

After driving a nail, the Nailer may recoil causing it to move away from the work surface.

To reduce risk of injury always manage recoil by:

- 1) always maintaining control of the Nailer.
- 2) allowing recoil to move the Nailer away from work surface.
- 3) not resisting recoil such that the Nailer will be forced back into the work surface. In "CONTACT ACTUATION MECHANISM", if push lever is allowed to re-contact work surface before the trigger is released, an unintended discharge of a nail will occur. In order to avoid this undesirable double fire,

○ Intermittent operation (Trigger fire)

- ① Pull the trigger rapidly and firmly.
- ② Release the trigger QUICKLY.

## SAFETY — Continued

### ⚠ WARNING

- Continuous operation (Push lever fire)
  - ① Do not press the Nailer against the wood with excessive force.
  - ② Separate the Nailer from the wood as it recoils after nailing.
- 4) keeping face and body parts away from the Nailer.
- (2) **Never Use NON relieving coupler on Nailer.** If a non relieving coupler is used on the Nailer, the Nailer can remain charged with air after disconnecting and thus will be able to drive a fastener even after disconnecting. The Nailer and air hose must have a hose coupling such that all pressure is removed from the Nailer when the coupling joint is disconnected.
- (3) **Check Push Lever before use.** Make sure the Push Lever operates properly, and is not inoperable, disconnected, or altered. (The Push Lever may be called “Safety”.) Never use the Nailer unless the Push Lever is operating properly, otherwise the Nailer could drive a fastener unexpectedly. Do not tamper with or remove the Push Lever, or otherwise cause the Push Lever to become inoperable.
- (4) **Keep all screws and covers tightly in place.** Keep all screws and covers tightly mounted. Check their condition periodically. Never use the Nailer if parts are missing or damaged.
- (5) **Do not load fasteners with Trigger or Push Lever depressed.** When loading fasteners into the Nailer or when connecting the air hose,
  - 1) do not depress the Trigger;
  - 2) do not depress the Push Lever; and
  - 3) keep the Nailer pointed downward.
- (6) **Keep hands and body away from firing head during use.** Never place your hands or feet closer than 8 inches (200 mm) from the firing head. A serious injury can result if the fasteners are deflected by the workpiece, or are driven away from the point of entry.
- (7) **When working close to an edge of a workpiece or at steep angles, or driving fasteners into thin workpiece use care to minimize chipping, splitting or splintering, or free flight, ricochet or piercing of fasteners, which may cause injury.**
- (8) **Never drive fasteners from both sides of a wall at the same time.** The fasteners can be driven into and through the wall and hit a person on the opposite side.
- (9) **Use extra caution when driving the Nailer into existing walls or other blind areas to prevent contact with hidden objects or persons on other side (eg., wires, pipes).**
- (10) **Check for live wires.** Avoid the risk of severe electrical shock by checking for live electrical wires that may be hidden by walls, floors or ceilings. Turn off the breaker switch to ensure there are no live wires.
- (11) **Do not lift, pull or lower the Nailer by the hose.**
- (12) **Do not disconnect air hose from Nailer with finger on Trigger.** The Nailer can fire when re-connected to An air supply.
- (13) **Handle Nailer correctly.** Operate the Nailer according to this Manual. Never allow the Nailer to be operated by children, individuals unfamiliar with its operation or unauthorized personnel.
- (14) **Never use Nailer for applications other than those specified in this manual.**
- (15) **Never modify or alter a Nailer.** Doing so may cause it to malfunction and personal injuries may result.
- (16) **Close Nail Guide and do not open it during operation.** If driving fasteners with the Nail Guide open, the fasteners can be driven away from the workpiece.

## **SAFETY** — Continued

### **RESPONSIBILITIES OF EMPLOYER, TOOL OWNER AND TOOL OPERATOR**

1. Ensure that this MANUAL is available to operators and personnel performing maintenance.
2. Train the operator in the safe use of the Nailer as described in this MANUAL.
3. Ensure that only persons who have read and understand this MANUAL operate the Nailer.
4. Ensure that Nailers are used only when operators and others in work area are wearing EYE PROTECTION, and other appropriate personal protective equipment such as HEAD, HEARING, FOOT PROTECTION.
5. Enforce the use of EYE PROTECTION by operators and others in work area.
6. Ensure that Nailers are kept in safe working order as described in this MANUAL.
7. Maintain Nailers properly.
8. Ensure that only qualified personnel shall repair Nailers.
9. Ensure that Nailers that require repair are removed from service and that tags and physical segregation are used as a means of control.

**SAVE THIS MANUAL AND  
KEEP IT AVAILABLE FOR OTHERS!**

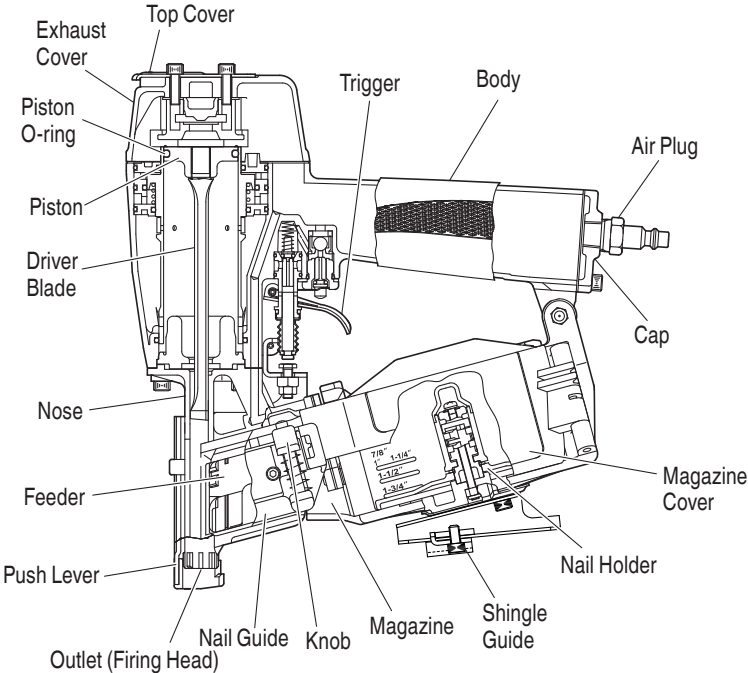


## OPERATION

**NOTE:** The information contained in this Manual is designed to assist you in the safe operation of the Nailer.

Some illustrations in this Manual may show details or attachments that differ from those on your own Nailer.

### NAME OF PARTS



**SPECIFICATIONS**

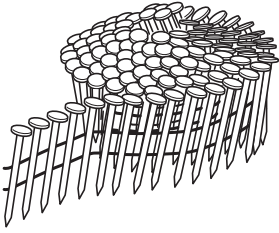
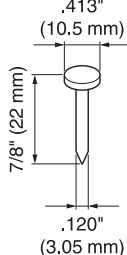
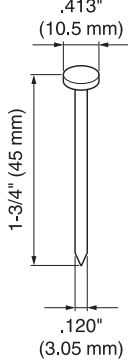
|                                       |                                                                                                                   |
|---------------------------------------|-------------------------------------------------------------------------------------------------------------------|
| Operating pressure                    | 70 – 120 psi (4.9 – 8.3 bar 5 – 8.5 kgf/cm <sup>2</sup> )                                                         |
| Dimensions<br>Length x Height x Width | 9-27/32" x 10-3/8" x 4-5/8"<br>(250 mm x 264 mm x 117 mm)                                                         |
| Weight                                | 5.7 lbs (2.6 kg)                                                                                                  |
| Nail capacity                         | 120 nails (1 coil)                                                                                                |
| Air consumption                       | .046 ft <sup>3</sup> /cycle at 100 psi<br>(1.3 ltr/cycle at 6.9 bar)<br>(1.3 ltr/cycle at 7 kgf/cm <sup>2</sup> ) |
| Air inlet                             | 3/8 NPT Thread                                                                                                    |

**NAIL SELECTION**

**⚠ WARNING**

- Be sure to use only the genuine metabo HPT nails for the NV45AB2. The use of any other nails can result in tool malfunction and/or nail breakdown, leading to serious injuries.

Only nails shown in the Table below can be driven with this Nailer.

| Wire-collated coil nails                                                            | Min.                                                                                | Max.                                                                                  |
|-------------------------------------------------------------------------------------|-------------------------------------------------------------------------------------|---------------------------------------------------------------------------------------|
|  |  |  |

**ACCESSORIES**

**⚠ WARNING**

- Accessories other than those shown below can lead to malfunction and resulting injuries.

**STANDARD ACCESSORIES**



- ① Eye protection ..... 1

**OPTIONAL ACCESSORIES**

- Sequential Trip Mechanism Kit (Code No. 878226) ... sold separately
- Pneumatic Tool Lubricant
  - 1 oz. (30 cc) oil feeder (Code No. 877153)
  - 4 oz. (120 cc) oil feeder (Code No. 874042)
  - 1 quart (1 ltr) can (Code No. 876212)

**NOTE:** Accessories are subject to change without any obligation on the part of metabo HPT.

**APPLICATIONS**

- Installation of asphalt roofing shingles in building construction.
- Installation of insulation boards in building construction.

**BEFORE OPERATION**

Read section titled “SAFETY” (pages 4 – 8).

Make sure of the followings before operation.

**WORKING ENVIRONMENT**

**WARNING**

- No flammable gas, liquid or other flammable objects at worksite.
- Clear the area of children or unauthorized personnel.

**AIR SUPPLY**

**DANGER**



- NEVER use reactive gases or other bottled gases. Explosion may occur.

**WARNING**

- Never connect Nailer to pressure which potentially exceeds 200 psi (13.7 bar 14 kgf/cm<sup>2</sup>) if a regulator fails.
- Never use non relieving coupler on Nailer.

1. Power source
  - Use only clean, dry, regulated compressed air as a power source for this Nailer.

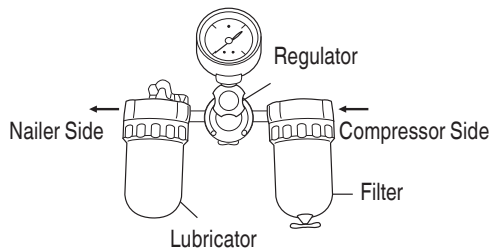
- Air compressors used to supply compressed air to this Nailer must comply with the requirements of the latest version of ANSI Standard B 19.3 “Safety Standard For Compressors For Process Industries.”
- Moisture or oil in the air compressor may accelerate wear and corrosion in the Nailer. Drain daily.

2. Filter-Regulator-Lubricator
  - Use a regulator with a pressure range of 0 – 120 psi (0 – 8.3 bar 0 – 8.5 kgf/cm<sup>2</sup>).
  - Filter-regulator-lubricator units supply an optimum condition for the Nailer and extend the Nailer life. These units should always be used.

**Filter** .....The filter removes moisture and dirt mixed in compressed air. Drain daily unless fitted with an automatic drain. Keep the filter clean by regular maintenance.

**Regulator**.....The regulator controls the operating pressure for safe operation of the Nailer. Inspect the regulator before operation to be sure it operates properly.

**Lubricator** ....The lubricator supplies an oil mist to the Nailer. Inspect the lubricator before operation to be sure the supply of lubricant is adequate. Use metabo HPT pneumatic tool lubricant.



3. Air hose
  - Compressed air supply hoses shall have a minimum working pressure rating equal to or greater than the pressure from the power source if a regulator fails, or 150 psi (10.4 bar 10.6 kgf/cm<sup>2</sup>), whichever is greater.

4. Air consumption
  - Using the Air consumption table and the Air compressor size formula, find a correct compressor size.

Air consumption table

|                    |                                        |                      |                      |                     |
|--------------------|----------------------------------------|----------------------|----------------------|---------------------|
| Operating pressure | psi<br>(bar)<br>(kgf/cm <sup>2</sup> ) | 80<br>(5.5)<br>(5.6) | 90<br>(6.2)<br>(6.3) | 100<br>(6.9)<br>(7) |
| Air consumption    | ft <sup>3</sup> /cycle<br>(ltr/cycle)  | .033<br>(.93)        | .039<br>(1.1)        | .046<br>(1.3)       |

**Air compressor size formula**

Amount of air required  
 =number of Nailers  
 × average nails driven each minute per Nailer  
 × air consumption at given air pressure  
 × safety factor (always 1.2)

Example: 2 Nailers operating at 100 psi driving 30 nails per minute

Amount of air required  
 =2 × 30 × .046 (1.3) × 1.2  
 =3.3 CFM (ft<sup>3</sup>/min) (94 ltr/min)

After making the calculations as shown above, you should find a compressor providing 3.3 CFM of air that is required.

**LUBRICATION**

It is important that the Nailer be properly lubricated. Without proper lubrication, the Nailer will not work properly and parts will wear prematurely.

- Use metabo HPT pneumatic tool lubricant. Do not use detergent oil or additives. These lubricants will harm the O-rings and other rubber parts. This will cause the Nailer to malfunction.
- Filter-regulator-lubricator units should always be used. Keep the lubricator filled with metabo HPT pneumatic tool lubricant.
- If a lubricator is not available, supply 5 – 10 drops of metabo HPT pneumatic tool lubricant into the air plug on the Nailer twice a day.

**COLD WEATHER CARE**

- Do not store the Nailer in a cold weather environment. Keep the Nailer in a warm area until beginning the work.
- If the Nailer is already cold, bring it in a warm area and allow the Nailer to warm up before use.
  - ① Reduce the air pressure to 64 psi (4.4 bar 4.5 kgf/cm<sup>2</sup>).
  - ② Remove all nails from the Nailer.
  - ③ Connect the air hose and free-fire (blank-fire) the Nailer. The lowered air pressure will be enough to free-fire the Nailer. Slow speed operation tends to warm up the moving part.

**⚠ CAUTION**

- Do not free-fire the Nailer at high pressure.

**TESTING THE NAILER**

**⚠ DANGER**



- Operators and others in work area **MUST** wear safety glasses with side shields which conforms to ANSI Z87.1 specifications. Ordinary eyeglasses do not provide adequate protection.

**⚠ WARNING**

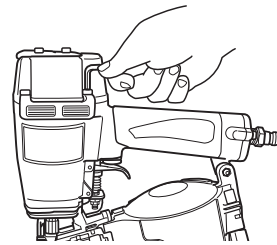
- Never use Nailer unless push lever is operating properly.

Before actually beginning the nailing work, test the Nailer by using the checklist below. Conduct the tests in the following order.

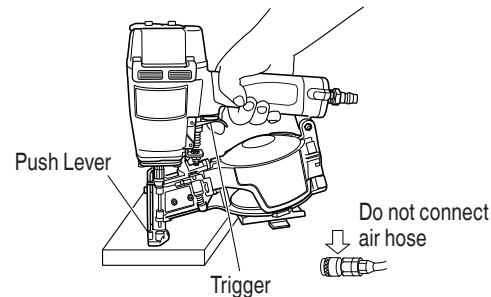
If abnormal operation occurs, stop using the Nailer and contact a metabo HPT authorized service center immediately.

- (1) DISCONNECT AIR HOSE FROM NAILER. REMOVE ALL NAILS FROM NAILER.

- ALL SCREWS MUST BE TIGHTENED. If any screws are loose, tighten them.



- THE PUSH LEVER AND TRIGGER MUST MOVE SMOOTHLY.

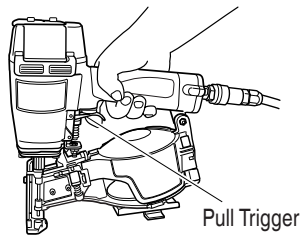


- (2) Adjust the air pressure to 70 psi (4.9 bar 5 kgf/cm<sup>2</sup>).  
Connect the air hose.  
Do not load any nails in the Nailer.

THE NAILER MUST NOT LEAK AIR.

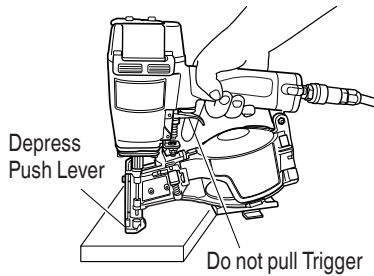
Hold the Nailer downward and pull the trigger.

THE NAILER MUST NOT OPERATE.



- (3) Remove the finger from the trigger and press the push lever against the workpiece.

THE NAILER MUST NOT OPERATE.



- (4) Without touching the trigger, depress the push lever against the workpiece.  
Pull the trigger.

THE NAILER MUST OPERATE.

- (5) With the Nailer off the workpiece, pull the trigger.  
Depress the push lever against the workpiece.

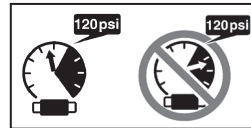
THE NAILER MUST OPERATE.

- (6) If no abnormal operation is observed, you may load nails in the Nailer.  
Drive nails into the workpiece that is the same type to be used in the actual application.

THE NAILER MUST OPERATE PROPERLY.

## ADJUSTING AIR PRESSURE

### ⚠ WARNING



- Do not exceed 120 psi (8.3 bars 8.5 kgf/cm<sup>2</sup>).

Adjust the air pressure at recommended operating pressure 70 – 120 psi (4.9 – 8.3 bar 5 – 8.5 kgf/cm<sup>2</sup>) according to the length of nails and the hardness of workpiece.

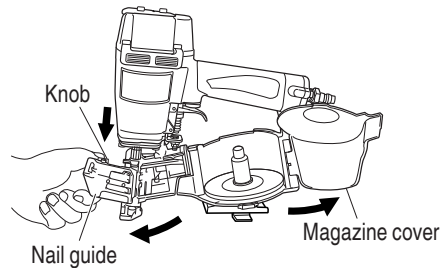
The correct air pressure is the lowest pressure which will do the job. Using the Nailer at a higher than required air pressure unnecessarily over stresses the Nailer.

## LOADING NAILS

### ⚠ WARNING

- When loading nails into Nailer,
  - 1) do not pull trigger;
  - 2) do not depress push lever; and
  - 3) keep Nailer pointed downward.

- (1) Grip the nail guide and knob with finger.  
Press the knob down and swing the nail guide open.  
And open the magazine cover.

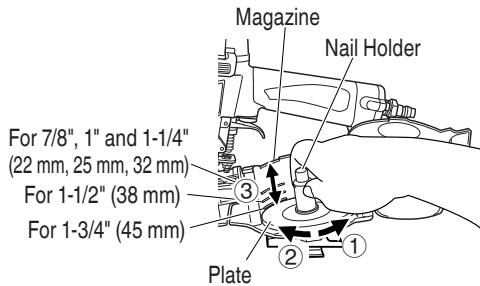


- (2) Adjust the position of the nail holder according to the nail length.

The nail will not feed smoothly if the nail holder is not correctly adjusted.

- ① Turn the nail holder about 90 degrees counterclockwise.
- ② Move the nail holder up and down to align the plate of the nail holder with a mark on the magazine in accordance with the length of the nails being used.

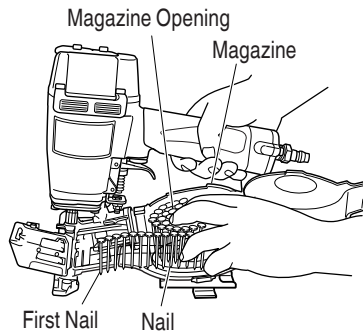
- ③ Turn the nail holder 90 degrees clockwise until you hear "click".



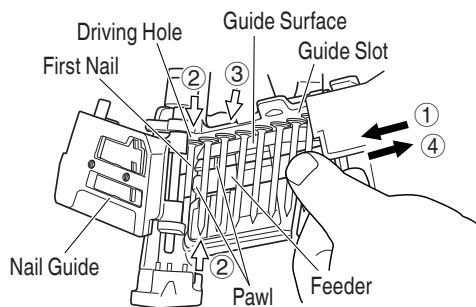
**NOTE:**

Before loading nails in the magazine, adjust the nail holder. If the magazine cover is forcibly closed without adjusting the nail holder correctly, the nail holder may be damaged.

- (3) Place the nail coil into the magazine. Insert the first nail into the magazine opening.



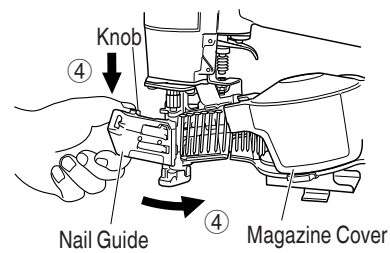
- (4) Close the magazine cover.
- (5) ① Uncoil enough nails to reach the driving hole.  
 ② Insert the first nail into the driving hole and the second nail between the two pawls of the feeder.  
 ③ Fit the nail heads in the guide slot.



**NOTE:**

Be careful not to deform the collated wires and not to disengage the nails with the guide surface. Otherwise, the nail guide will not close correctly.

- ④ Pulling the nails to the right. After checking and making sure that the magazine cover is closed, hook your fingers on the nail guide and knob, turn the nail guide clockwise while pressing the knob downward, and then close the nail guide completely.



- (6) Lock the knob completely.

The Nailer is now ready to operate.

**NAILER OPERATION**

Read section titled "SAFETY" (pages 4 – 8).

**⚠ DANGER**



- Operators and others in work area **MUST** wear safety glasses with side shields which conforms to ANSI Z87.1 specifications. Ordinary eyeglasses do not provide adequate protection.

**⚠ WARNING**



- Only person who have read and understand this **MANUAL** should operate the Nailer.
- **NEVER** point tool at yourself or others in work area.
- Keep fingers **AWAY** from trigger when not driving nails to avoid accidental discharge.
- Know and understand what trigger system you are using. Please read and understand "Methods of Operation" below.

- Never place your hands or body closer than 8 inches (200 mm) from firing head when using.
- Do not drive nails into other nails; nails can ricochet and hurt someone.
- Do not actuate Nailer unless Nailer is placed firmly against the workpiece.
- In order to avoid double fire or unwanted ejection of a nail due to bouncing of the Nailer,
  - 1) do not push Nailer on workpiece with strong force;
  - 2) take Nailer away from workpiece using recoil;
  - 3) release trigger quickly when performing trigger fire.
- When working close to an edge of a workpiece or at steep angles, or driving fasteners into thin workpiece use care to minimize chipping, splitting or splintering, or free flight, ricochet or piercing of fasteners, which may cause injury.
- Never drive nails from both sides of a wall at the same time. Nails can be driven into and through the wall and hit a person on the opposite side.
- Never use Nailer which is defective or operating abnormally.
- Do not use Nailer as hammer.
- Disconnect air hose from Nailer when:
  - 1) it is not in use;
  - 2) leaving work area;
  - 3) elevating, lowering or otherwise moving it to another location;
  - 4) handing it to another person;
  - 5) performing any maintenance or repairs;
  - 6) clearing a jam;
  - 7) Nailer is outside of the operator's supervision or control;
  - 8) removing nails from the magazine; and
  - 9) adjusting nailing depth.

This metabo HPT nailer has a STANDARD CONTACT TRIP MECHANISM (Bounce Fire). An OPTIONAL SEQUENTIAL TRIP MECHANISM kit (SINGLE SHOT) is available as order part number 878226.

THE STANDARD CONTACT TRIP MECHANISM (Bounce Fire) is for use where rapid fastener placement is desired and must be operated in accordance with the following "METHODS OF OPERATION".

**NOTE:**

Be careful that the final nail can be dropped or driven at an irregular angle.

**METHODS OF OPERATION**

This Nailer is equipped with the push lever and does not operate unless the push lever is depressed (upward position).

There are two methods of operation to drive nails with this Nailer.

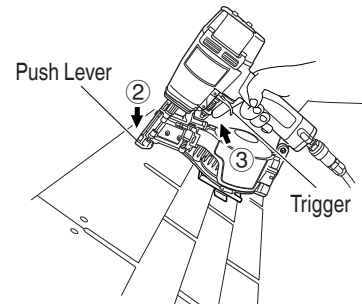
They are:

1. Intermittent operation (Trigger fire);
2. Continuous operation (Push lever fire);

(1) Intermittent operation (Trigger fire)

- ① Position the nail outlet on the workpiece with finger off the trigger.
- ② Depress the push lever firmly until it is completely depressed.
- ③ Pull the trigger to drive a nail.
- ④ Remove finger from the trigger.

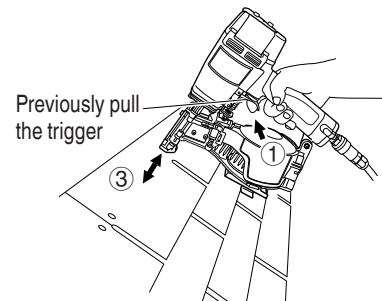
To drive another nail, move the Nailer along the workpiece, repeating steps ① - ④ as required procedure.



(2) Continuous operation (Push lever fire)

- ① Pull the trigger with the Nailer off the workpiece.
- ② Depress the push lever against the workpiece to drive a nail.
- ③ Move the Nailer along the workpiece with a bouncing motion.

Each depression of the push lever will drive a nail. As soon as the desired number of nails have been driven, remove finger from the trigger.



**⚠ WARNING**

- Keep your finger off the trigger except during fastening operation, because serious injury could result if the push lever accidentally contacts you or others in work area.
- Keep hands and body away from the discharge area. This metabo HPT nailer may bounce from the recoil of driving a fastener and unwanted subsequent fastener may be driven, possibly causing injury.
- Some types of loaded nails can spark out of the muzzle during a nail driving operation. Exercise caution!

**THE OPTIONAL SEQUENTIAL TRIP MECHANISM (SINGLE SHOT PARTS)** is for use where precision fastener placement is desired and must be operated in accordance with the following "Method of Operation".

You must first depress the push lever (upward position) where you want to drive a nail and then pull the trigger. After the each nail is driven, completely release the trigger and lift the tool off the work surface.

An **OPTIONAL SEQUENTIAL TRIP MECHANISM** may reduce the possibility of bodily injury to you or others in the work area. This is because it is less likely to drive an unwanted nail if you keep the trigger pulled and accidentally bump the push lever against yourself or others. An **OPTIONAL SEQUENTIAL TRIP MECHANISM** may also reduce the speed of operation compared to the standard contact trip mechanism.

**NOTE:**

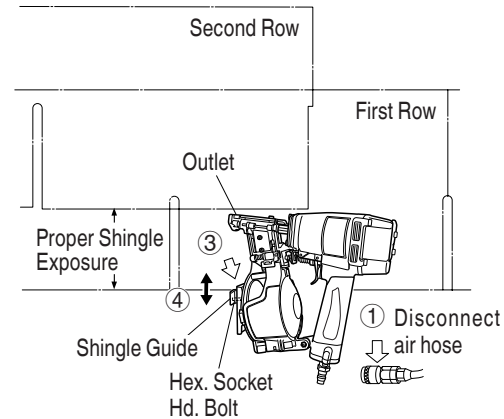
- Both **STANDARD CONTACT TRIP MECHANISM** and **OPTIONAL SEQUENTIAL TRIP MECHANISM** are safe if used as described above and accroding to all warnings and instructions.
- Always handle nails and package carefully. If nails are dropped, collating wire may be damaged and cut, which will cause mis-feeding and jamming.
- After nailing:
  - 1) disconnect air hose from the Nailer;
  - 2) remove all nails from the Nailer;
  - 3) supply 5 – 10 drops of metabo HPT pneumatic tool lubricant into the air plug on the Nailer; and
  - 4) open the petcock on the air compressor tank to drain any moisture.

**USING THE SHINGLE GUIDE**

The shingle guide can be used to control shingle spacing. Adjust the shingle guide in the following order.

- ① DISCONNECT AIR HOSE FROM NAILER
- ② Loosen the hex. socket hd. bolt with the accessory Allen wrench.

- ③ Place the shingle guide against the bottom of the first row of shingles.
- ④ Adjust the distance between the outlet and the shingle guide to the proper shingle exposure by sliding the shingle guide.
- ⑤ Tighten the hex. socket hd. bolt.



**NOTE:**

- The proper shingle exposure will depend on the type of shingle and the manufacturer's specifications.
- The shingle guide is not to be utilized as an indicator of nail location.

**ADJUSTING THE NAILING DEPTH**

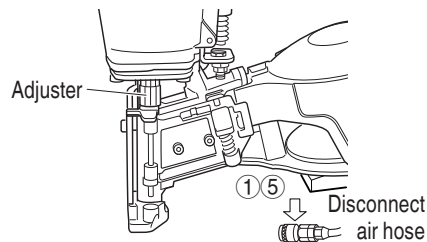
**⚠ WARNING**

- Disconnect the air hose from the nailer before turning the adjuster.

To assure that each nail penetrates to the same depth, be sure that:

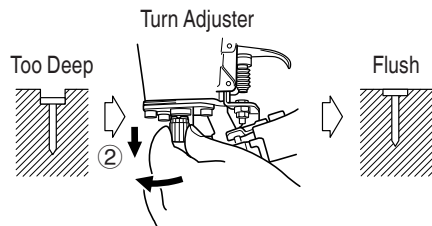
- 1) the air pressure to the Nailer remains constant (regulator is installed and working properly), and
  - 2) the Nailer is always held firmly against the workpiece.
- If nails are driven too deep or shallow into the workpiece, adjust the nailing in the following order.

- ① DISCONNECT AIR HOSE FROM NAILER

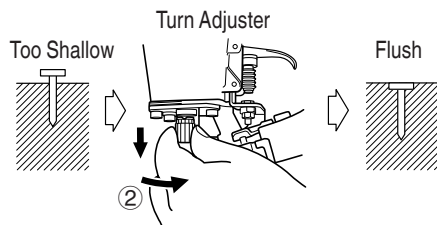




- ② If nails are driven too deep, turn the adjuster counterclockwise while pulling it downward. When the adjuster is released, it returns upward. Furthermore, turn the adjuster until it reaches a position where it gets fixed with a clock.



If nails are driven too shallow, turn the adjuster clockwise while pulling it downward. When the adjuster is released, it return upward. Furthermore, turn the adjuster until it reaches a position where it gets fixed with a clock.



The adjuster can be fixed each at 1/4 rotation.  
The adjuster moves approximately 0.25 mm per 1/4 rotation.

- ③ Stop turning the adjuster when a suitable position is reached for a nailing test.  
④ Connect the air hose.  
**ALWAYS WEAR EYE PROTECTION.**  
Perform a nailing test.  
⑤ **DISCONNECT AIR HOSE FROM NAILER.**  
⑥ Choose a suitable position for the adjuster.

## MAINTENANCE

**NOTE:** The information contained in this Manual is designed to assist you in the safe maintenance of the Nailer.

Some illustrations in this Manual may show details or attachments that differ from those on your own Nailer.

### MAINTENANCE AND INSPECTION

Read section titled "SAFETY" (pages 4 - 8).

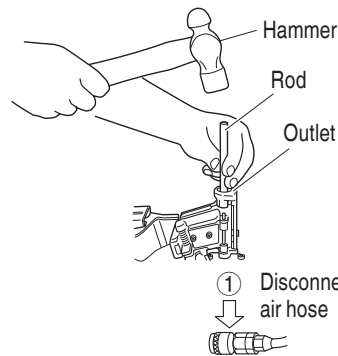
#### ⚠ WARNING

- Disconnect air hose and remove all nails from Nailer when:
  - 1) doing maintenance and inspection; and
  - 2) clearing a jam.
- Never use gasoline or other highly flammable liquides for cleaning.

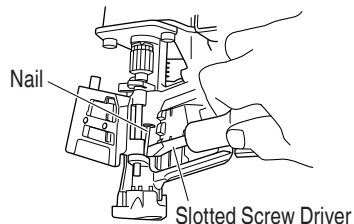
#### 1. Clearing a jam

Remove a jammed nail in the following order:

- ① DISCONNECT AIR HOSE.
- ② Open the nail guide.
- ③ Insert a rod into the outlet.



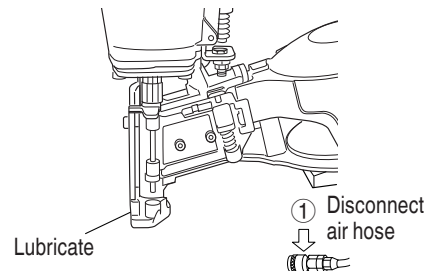
- ④ Remove the jammed nail with a slotted screw driver.



- ⑤ Cut the deformed collated wire with nippers. Correct the deformation.
- ⑥ In case of frequent jam, contact a metabo HPT authorized service center.

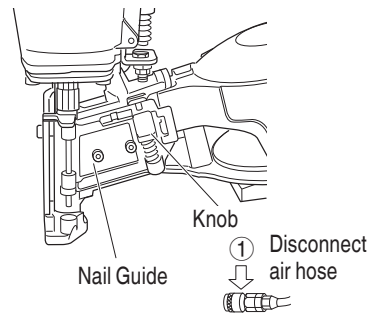
#### 2. Inspecting the push lever

- ① DISCONNECT AIR HOSE.
- ② Clean the push lever sliding part. Lubricate it with metabo HPT pneumatic tool lubricant.



#### 3. Inspecting the feeders

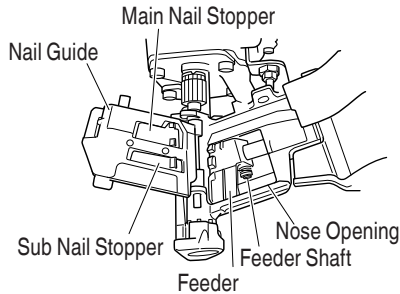
- ① DISCONNECT AIR HOSE.
- ② Clean the knob sliding part. Lubricate it with metabo HPT pneumatic tool lubricant.



- ③ Open the nail guide and remove dust. Lubricate the nose opening and feeder shaft.

#### ⚠ CAUTION

- Check that the main nail stopper and sub nail stopper slide smoothly by pushing them with finger. If not smooth, nails can be driven at an irregular angle and hurt someone.



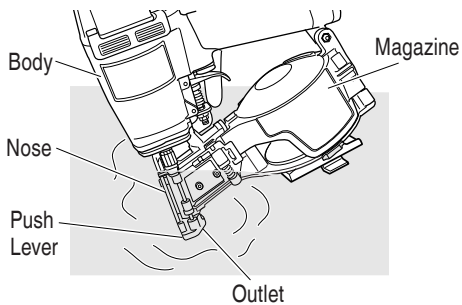
- ④ Lubricate the feeding surfaces of the nose and the nail guide after cleaning. This promotes smooth operation and prevents rust.

- 4. Cleaning and removal of tar and dirt. Tar and dirt may build up on the nose and push lever. This can prevent correct operation. Clean and remove tar and dirt with kerosene, #2 fuel oil or diesel fuel.

NEVER USE GASOLINE or other highly flammable liquids.

Vapor of such liquids inside the Nailer could be ignited by a spark produced during nailing, which can cause an explosion.

- ① Immerse only the area around the outlet in solvent. Do not immerse the magazine or body. Plastic parts and O-ring may be damaged.



- ② Dry off the Nailer before use. Any oil film left after cleanup will accelerate the tar buildup, and the Nailer will require more frequent re-cleaning.
- ③ Make sure the push lever operates properly.

**⚠ WARNING**

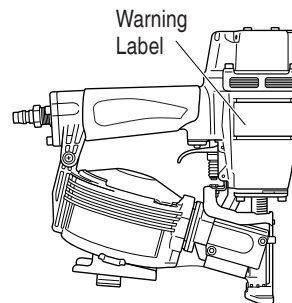
- Never use Nailer unless push lever is operating properly.

**NOTE:**

Solvents sprayed on nose to clean and free up the push lever may have the opposite effect. The solvent may soften the tar on the shingles and cause tar buildup to be accelerated. Dry operation is better.

- 5. Inspecting the magazine
  - ① DISCONNECT AIR HOSE.
  - ② Clean the magazine. Remove paper chips or wooden chips which may have accumulated in the magazine.
- 6. Storing
  - When not in use for an extended period, apply a thin coat of the lubricant to the steel parts to avoid rust.
  - Do not store the Nailer in a cold weather environment. Keep the Nailer in a warm area.
  - When not in use, the Nailer should be stored in a warm and dry place. Keep out of reach children.
- 7. WARNING LABEL
 

Do not use the Nailer with missing or damaged WARNING LABEL. A new WARNING LABEL is available from a metabo HPT authorized service center.



- 8. Maintenance chart (See page 20)
- 9. Operator troubleshooting (See page 21)
- 10. Service parts list

**⚠ CAUTION**

- Repair, modification and inspection of metabo HPT Power Tools must be carried out by a metabo HPT Authorized Service Center.

This Parts List will be helpful if presented with the tool to the metabo HPT Authorized Service Center when requesting repair or other maintenance. In the operation and maintenance of power tools, the safety regulations and standards prescribed in each country must be observed.

**MODIFICATIONS:**

metabo HPT Power Tools are constantly being improved and modified to incorporate the latest technological advancements.

Accordingly, some parts may be changed without prior notice.

**SERVICE AND REPAIRS**

**⚠ WARNING**

- Only service personnel trained by metabo HPT, distributor or employer shall repair the Nailer.
- Use only parts supplied or recommended by metabo HPT for repair.

All quality Nailers will eventually require servicing or replacement of parts because of wear from normal use.

**NOTE:**

Specifications are subject to change without any obligation on the part of metabo HPT.

Maintenance chart

| ACTION                                                                                       | WHY                                                     | HOW                                               |
|----------------------------------------------------------------------------------------------|---------------------------------------------------------|---------------------------------------------------|
| Drain air line filter daily.                                                                 | Prevent accumulation of moisture and dirt.              | Open manual petcock.                              |
| Keep lubricator filled.                                                                      | Keep the Nailer lubricated.                             | Fill with metabo HPT pneumatic tool lubricant.    |
| Clean filter element and blow air through filter in direction opposite to normal flow daily. | Prevent clogging of filter with dirt.                   | Follow manufacturer's instructions.               |
| Clean magazine and feeder mechanism.                                                         | Prevent a jam.                                          | Blow clean daily.                                 |
| Keep push lever working properly.                                                            | Promote operator safety and efficient Nailer operation. | Blow clean daily.                                 |
| Lubricate the Nailer after nailing.                                                          | Extend the Nailer life.                                 | Supply 5 – 10 drops of lubricant into the Nailer. |
| Drain air compressor daily.                                                                  | Keep the Nailer operated properly.                      | Open petcock on air compressor tank.              |

Operator troubleshooting

Most minor problems can be resolved quickly and easily using the table below.  
If problems persist, contact a metabo HPT authorized service center for assistance.

| PROBLEM                                                                                     | CHECK METHOD                                           | CORRECTION                                                                                    |
|---------------------------------------------------------------------------------------------|--------------------------------------------------------|-----------------------------------------------------------------------------------------------|
| Nailer operates, but no nail is driven.                                                     | Open nail guide. Check for a jam                       | Clear a jam per page 18.                                                                      |
|                                                                                             | Check function of feeder per page 18.                  | Clean and lubricate.                                                                          |
|                                                                                             | Check for proper nails.                                | Use only recommended nails.                                                                   |
| Weak drive.<br>Slow to cycle.                                                               | Check air pressure.                                    | Increase air pressure. (Do not exceed 120 psi (8.3 bar 8.5 kgf/cm <sup>2</sup> .)             |
|                                                                                             | Check position of adjuster per page 16.                | Readjust                                                                                      |
|                                                                                             | _____                                                  | Use metabo HPT pneumatic tool lubricant.                                                      |
|                                                                                             | Driver blade worn?                                     | Contact metabo HPT for replacement.                                                           |
|                                                                                             | Piston O-ring worn or damaged?                         |                                                                                               |
| Drives too deep.                                                                            | Check air pressure.                                    | Reduce air pressure.<br>(Adjust 70 – 120 psi<br>(4.9 – 8.3 bar 5 – 8.5 kgf/cm <sup>2</sup> )) |
|                                                                                             | Check position of adjuster per page 16.                | Readjust                                                                                      |
| Skipping nails. Intermittent feed.                                                          | Check for proper nails.                                | Use only recommended nails.                                                                   |
|                                                                                             | Check function of feeder per page 18.                  | Clean and lubricate.                                                                          |
|                                                                                             | _____                                                  | Use metabo HPT pneumatic tool lubricant.                                                      |
|                                                                                             | Check position of nail holder in magazine per page 13. | Adjust nail holder to proper position.                                                        |
|                                                                                             | Piston O-ring cut or heavily worn?                     | Contact metabo HPT for replacement.                                                           |
| Nails jam.<br>Driven nail is bent.                                                          | Check for proper nails.                                | Use only recommended nails.                                                                   |
|                                                                                             | Driver blade worn?                                     | Contact metabo HPT for replacement.                                                           |
| Drives properly during normal operation, but does not drive fully at faster nailing speeds. | Check inside diameter of air hose.                     | Use larger air hose.                                                                          |

---

## INFORMATION IMPORTANTE DE SÉCURITÉ

---



Lire et bien assimiler toutes les étiquettes de l'outil ainsi que toutes les instructions de fonctionnement, les consignes de sécurité et les avertissements de ce mode d'emploi avant d'utiliser ou d'entretenir ce cloueur.

Le non respect des avertissements pourrait entraîner la MORT ou des BLESSURES GRAVES.

La plupart des accidents résultant de l'utilisation ou de l'entretien des cloueurs sont dus au non respect de certaines consignes et précautions de sécurité élémentaires. Un accident peut souvent être évité en reconnaissant une situation potentiellement dangereuse avant qu'elle ne se produise, et en respectant les procédures de sécurité applicables.

Les consignes de sécurité élémentaires sont données dans la section "SECURITE" du manuel et dans les sections relatives aux instructions d'utilisation et d'entretien.

Les dangers à éviter pour empêcher tout risque de blessures ou de dommage de l'outil sont identifiés par les mots DANGER et AVERTISSEMENT, sur le cloueur et dans ce manuel.

**NE JAMAIS** utiliser ce cloueur pour des applications autres que celles qui sont spécifiées dans ce manuel.

---

## DEFINITION DES MOTS DE SIGNALISATION

---

**DANGER** indique une situation imminente dangereuse qui, si elle n'est pas évitée, entraînera la mort ou des blessures graves.

**AVERTISSEMENT** indique une situation potentiellement dangereuse qui, si elle n'est pas évitée, risque d'entraîner la mort ou des blessures graves.

**ATTENTION** indique une situation potentiellement dangereuse qui, si elle n'est pas évitée, risque d'entraîner des blessures légères ou modérées, ou d'endommager l'outil.

**REMARQUE** met en relief les informations essentielles.

---

## EXPLICATION DE L'ACTION DE CLOUAGE DU CLOUEUR metabo HPT

---

○ MÉCANISME DE DÉCLENCHEMENT PAR CONTACT :

Appuyer tout d'abord le levier-poussoir contre le bois, puis tirer sur la gâchette pour enfoncer le clou.

Tirer tout d'abord sur la gâchette, puis appuyer le levier-poussoir contre le bois pour enfoncer le clou.

Si la gâchette est maintenue tirée, un clou s'enfonce chaque fois que l'on appuie le levier-poussoir contre le bois.

## SECURITE

### CONSIGNES DE SÉCURITÉ IMPORTANTES POUR L'UTILISATION DU CLOUEUR

#### CONSIGNES RELATIVES À UN RISQUE D'INCENDIE, DE CHOC ÉLECTRIQUE OU DE BLESSURES CORPORELLES

- **Généralités**

Afin de réduire les risques de choc électrique, d'incendie et de blessures physiques, **LIRE TOUTES LES INSTRUCTIONS AVANT D'UTILISER L'OUTIL.**

#### ⚠ DANGER

**1. LES OPÉRATEURS ET LES AUTRES PERSONNES DANS L'AIRE DE TRAVAIL DOIVENT PORTER UNE PROTECTION OCULAIRE (LUNETTES DE PROTECTION AVEC ÉCRANS LATÉRAUX).**



Quand on utilise le cloueur, toujours porter des lunettes de protection avec visières latérales, et veiller à ce que les autres personnes dans la zone de travail en portent également.

Les lunettes de protection devront respecter les exigences de l'ANSI (American National Standards Institute) Z87.1 et assurer la protection contre les projections de particules arrivant par l'avant et par le côté.

Les lunettes ordinaires ne fournissent pas une protection adéquate.

L'employeur doit veiller à ce que la personne qui utilise le cloueur et les autres personnes dans l'aire de travail portent des lunettes de protection.

**2. NE JAMAIS UTILISER DE GAZ RÉACTIFS NI AUCUN AUTRE GAZ EN BOUTEILLE. IL POURRAIT SE PRODUIRE UNE EXPLOSION.**



Ne jamais utiliser de gaz réactifs (tels que l'oxygène), de gaz combustibles ni aucun autre gaz en bouteille comme source d'alimentation du cloueur.

L'utilisation de ces gaz serait dangereuse, car le cloueur exploserait.

Utiliser exclusivement de l'air comprimé propre, sec et régulé.

#### ⚠ AVERTISSEMENT

**3. NE JAMAIS DIRIGER L'OUTIL VERS SOI NI VERS QUELQU'UN D'AUTRE DANS L'AIRE DE TRAVAIL.**



Toujours supposer que le cloueur renferme des clous.

Ne jamais diriger le cloueur vers soi, ni vers quelqu'un d'autre, qu'il renferme des clous ou non.

Si l'on enfonce des clous par erreur, cela risque de provoquer des blessures graves. Ne jamais s'amuser avec le cloueur.

Le cloueur est un instrument de travail. Le respecter.

Ne jamais transporter l'outil avec le doigt sur la gâchette, car on risquerait d'enfoncer accidentellement un clou et de se blesser ou de blesser quelqu'un d'autre.

Toujours transporter le cloueur exclusivement par sa poignée.

**5. CONNAÎTRE ET COMPRENDRE LE SYSTÈME DE GÂCHETTE UTILISÉ.**

Lire et bien assimiler la section intitulée "MÉTHODES D'UTILISATION". (pages 35 – 36)

**4. NE PAS PLACER LE DOIGT SUR LA GÂCHETTE ET MAINTENIR LES DOIGTS ÉLOIGNÉS DE CELLE-CI QUAND ON N'EFFECTUE PAS DE CLOUAGE POUR ÉVITER TOUT RISQUE DE CLOUAGE ACCIDENTEL.**

**6. NE PAS ENTRER EN CONTACT AVEC L'EMBOUT DE SÉCURITÉ (LEVIER-POUSOIR) QUAND ON N'EFFECTUE PAS DE CLOUAGE.**

## SECURITE — Suite

## ⚠ AVERTISSEMENT

Lors de l'utilisation de ces outils, des précautions de base doivent être respectées, notamment:

### 1. Zone de travail

(1) **Maintenir la zone de travail propre et bien éclairée.**

Les zones sombres et encombrées augmentent les risques de choc électrique, d'incendie ou blessures physiques.

(2) **Ne pas utiliser le cloueur dans un endroit présentant un risque d'explosion, par exemple en présence de liquides inflammables, de gaz ou de poussières combustibles.**

Le cloueur peut provoquer des étincelles susceptibles d'enflammer la poussière ou les vapeurs.

(3) **Maintenir les passants, enfants et visiteurs à l'écart pendant l'utilisation du cloueur.** Toute distraction peut provoquer la perte de contrôle du cloueur.

### 2. Sécurité personnelle

(1) **Rester sur ses gardes. Se concentrer sur la tâche et faire preuve de bon sens quand on travaille avec le cloueur. Ne pas utiliser le cloueur si on est fatigué, après avoir consommé des drogues ou de l'alcool, ou sous l'influence de médicaments.**

Tout moment d'inattention pendant l'utilisation du cloueur augmente le risque de blessures physiques.

(2) **Porter des vêtements appropriés. Ne pas porter de vêtements amples ou de bijoux. Si l'on a les cheveux longs, les maintenir sous un couvre-chef. Maintenir les cheveux, vêtements et gants à l'écart des pièces mobiles.**

Les vêtements amples, les bijoux et les cheveux longs augmentent le risque de blessures physiques car ils peuvent être entraînés par les pièces mobiles.

(3) **Éviter toute mise en marche accidentelle. Vérifier que le commutateur est sur arrêt avant de brancher le tuyau d'air.** Ne pas transporter le cloueur en gardant le doigt sur le commutateur ou raccorder le tuyau d'air quand le commutateur est sur marche.

(4) **⚠ AVERTISSEMENT** – Débrancher le tuyau d'air du cloueur quand on effectue des réglages ou l'entretien, on retire des clous coincés, on actionne le levier-poussoir, on ne s'en sert pas, on quitte l'aire de travail, on le laisse hors de la supervision ou du contrôle de l'opérateur, on le charge ou le décharge,

on le passe à quelqu'un d'autre, on le soulève ou l'abaisse, ou on le déplace dans un autre endroit. Ne jamais essayer de retirer des clous coincés ou de réparer le cloueur si le tuyau d'air n'est pas débranché et que les clous restants n'ont pas été retirés du cloueur. Le cloueur ne doit jamais rester sans surveillance car des personnes non familiarisées avec ce type d'outil pourraient le manipuler et se blesser.

Ces mesures de précaution réduisent le risque de blessures physiques.

(5) **Ne pas trop se pencher. Conserver une bonne assise et un bon équilibre en permanence.** Une bonne assise et un bon équilibre favorisent un meilleur contrôle du cloueur dans des situations inattendues.

(6) **Utiliser des équipements de sécurité.** Utiliser un masque anti-poussière, des chaussures de sécurité antidérapantes et un casque de sécurité lorsque les conditions l'exigent.

(7) **⚠ AVERTISSEMENT** – Risque de perte auditive. Porter une protection auditive.

La protection auditive doit avoir un CAS (coefficient d'atténuation sonore) déterminé selon les règles de l'Agence américaine de la protection de l'environnement, approprié pour l'exposition au bruit.

(8) **Toujours porter un casque.**

**Toujours porter un casque pour se protéger la tête contre les projectiles.**

(9) **Ne pas attacher le tuyau ou le cloueur à votre corps.**

Attacher le tuyau à la structure pour réduire le risque de perte d'équilibre en cas de mouvements brusques du tuyau.

(10) **⚠ AVERTISSEMENT** – Enfoncer les clous uniquement dans une surface de travail appropriée. Ne pas enfoncer les clous dans d'autres clous. Celui-ci pourrait ricocher et blesser quelqu'un, ou provoquer une réaction inattendue du cloueur susceptible d'entraîner une blessure physique.

### 3. Utilisation et entretien du cloueur

(1) **Utiliser des serre-joints ou tout autre moyen pratique pour maintenir la pièce sur une surface stable en toute sécurité.**



## SECURITE — Suite

## ⚠ AVERTISSEMENT

Maintenir la pièce à la main ou contre soi est une technique instable et peut provoquer une perte de contrôle.

- (2) **Ne pas forcer sur le cloueur.** Utiliser le cloueur approprié à votre usage. Le cloueur approprié effectuera la tâche en toute sécurité selon les spécifications pour lesquelles il est destiné.

- (3) **Ne pas utiliser le cloueur si le commutateur ne permet pas de le mettre sur marche ou arrêt.** Tout cloueur ne pouvant pas être contrôlé par le commutateur est dangereux et doit être réparé.

**Ne jamais utiliser un cloueur défectueux ou qui ne fonctionne pas normalement.** Si le cloueur semble ne pas fonctionner comme d'habitude, qu'il émet des bruits bizarres ou qu'il semble défectueux, cesser immédiatement de l'utiliser et le faire réparer par un service après-vente metabo HPT agréé.

- (4) **Débrancher le tuyau d'air du cloueur avant de procéder à des réglages, de changer des accessoires ou de le remiser.** Ces mesures de sécurité préventives réduisent le risque de déclenchement accidentel du cloueur.

- (5) **Remiser le cloueur, lorsqu'il est inutilisé, hors de portée des enfants et de toute personne non formée à son utilisation.** Un cloueur s'avère dangereux entre les mains de personnes non formées à son utilisation.

- (6) **Entretenir soigneusement le cloueur.** Veiller à ce que le cloueur soit toujours propre et graissé pour obtenir un fonctionnement optimal et en toute sécurité.

- (7) **Contrôler tout mauvais alignement ou grippage des pièces mobiles, toute rupture de pièces et toute autre situation pouvant affecter le fonctionnement du cloueur.**

S'il est endommagé, faire réparer le cloueur avant toute nouvelle utilisation. En raison de la pression d'air élevée à l'intérieur du cloueur, les fissures en surface sont dangereuses. Pour éviter tout risque, ne pas faire tomber le cloueur ni le heurter contre des surfaces dures ; et ne pas le rayer ni y graver d'inscriptions. De nombreux accidents sont provoqués par des cloueurs mal entretenus. Il y a un risque d'éclatement si le cloueur est endommagé.

- (8) **Ne pas utiliser un cloueur en mauvais état de marche. Des étiquettes et une séparation physique doivent être utilisées pour contrôle.**

- (9) **Utiliser exclusivement des accessoires fournis ou recommandés par metabo HPT pour ce cloueur spécifique.** L'utilisation d'un accessoire non destiné à ce cloueur spécifique augmente le risque de blessures physiques.

- (10) **Utiliser exclusivement les clous mentionnés dans la section Accessoires du présent manuel.** Les clous non recommandés par metabo HPT en vue d'une utilisation avec ce cloueur augmentent le risque de blessures physiques ou peuvent endommager le cloueur.

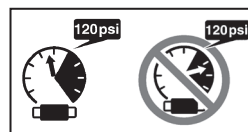
## 4. Entretien

- (1) **L'entretien de cet outil doit être confié exclusivement au personnel d'entretien qualifié.**
- (2) **Pour les réparations, utiliser exclusivement des pièces de rechange identiques. Utiliser exclusivement des pièces agréées.**
- (3) **Utiliser exclusivement la graisse fournie avec le cloueur ou recommandée par metabo HPT.**

## 5. Alimentation d'air

- (1) **Ne jamais raccorder le cloueur à une source d'alimentation qui risque de dépasser 200 psi (13.7 bars 14 kgf/cm<sup>2</sup>) si une défaillance du régulateur se produit.**

Une pression excessive à l'intérieur du cloueur peut provoquer son éclatement, un fonctionnement anormal, la panne du cloueur ou des blessures physiques graves.



**NE PAS DÉPASSER 120 psi (8.3 bars 8.5 kgf/cm<sup>2</sup>).**

Utiliser exclusivement de l'air comprimé propre, sec et régulé à la pression nominale ou dans la plage de pression nominale indiquée sur le cloueur.

Toujours vérifier, avant d'utiliser le cloueur, que l'alimentation d'air a été ajustée en fonction de la pression d'air nominale ou dans la plage de pression d'air nominale stipulée.

## SECURITE — Suite

## ⚠ AVERTISSEMENT

- (2) **Ne jamais utiliser de gaz réactifs (tels que l'oxygène), de dioxyde de carbone, de gaz combustibles ou tout autre gaz en bouteille comme source d'alimentation du cloueur.** L'utilisation de ces gaz pourrait provoquer une explosion et causer de graves blessures physiques.
- 6. Autres**
- (1) **Faire attention aux doubles activations et aux coups par le cloueur suite au retour brutal (« rappel »).**  
Après avoir enfoncé un clou, le cloueur peut effectuer un rappel causant son éloignement de la surface de travail.  
Pour réduire le risque de blessure, toujours gérer le rappel en :
- 1) maintenant toujours le contrôle du cloueur.
  - 2) laissant le rappel éloigner le cloueur de la surface de travail.
  - 3) ne résistant pas au rappel de sorte que le cloueur sera refoulé contre la surface de travail. Dans « MÉCANISME DE DÉCLENCHEMENT PAR CONTACT », si on laisse le levier-poussoir entrer de nouveau en contact avec la surface de travail avant de relâcher la gâchette, un clouage imprévu se produira. Afin d'éviter ces doubles activations indésirables,
    - Fonctionnement intermittent (déclenchement par gâchette)
      - ① Tirer sur la gâchette rapidement et fermement.
      - ② Relâcher la gâchette RAPIDEMENT.
    - Fonctionnement continu (déclenchement par levier-poussoir)
      - ① Ne pas appuyer le cloueur trop fort contre le bois.
      - ② Eloigner le cloueur du bois car il effectue un rappel après le clouage.
  - 4) éloignant le visage et les parties du corps du cloueur.
- (2) **Ne jamais utiliser de coupleur NON dégageant sur le cloueur.** Si l'on utilise un coupleur non dégageant sur le cloueur, celui-ci risque de rester chargé d'air après le débranchement et, par conséquent, d'enfoncer un clou même après avoir été débranché. Le cloueur et le tuyau d'air doivent avoir un coupleur de tuyau de façon à ce que toute la pression soit évacuée du cloueur quand on débranche le joint de couplage.
- (3) **Vérifier le levier-poussoir avant l'utilisation.** S'assurer que le levier-poussoir fonctionne correctement, et qu'il ne soit pas inutilisable, déconnecté, ou modifié. (Le levier-poussoir est parfois appelé "sécurité".) Ne jamais utiliser le cloueur si le levier-poussoir ne fonctionne pas correctement. Un clou pourrait s'enfoncer accidentellement. Ne pas modifier ou retirer le levier-poussoir, car sinon il pourrait devenir inutilisable.
- (4) **Veiller à ce que toutes les vis et les couvercles soient en place et bien serrés.** Veiller à ce que les vis et les couvercles soient solidement fixés. Les vérifier périodiquement. Ne jamais utiliser le cloueur si des pièces sont manquantes ou sont endommagées.
- (5) **Ne pas charger de clous si la gâchette ou le levier-poussoir sont enfoncés.** Quand on charge des clous dans le cloueur ou qu'on raccorde le tuyau d'air,
  - 1) ne pas appuyer sur la gâchette;
  - 2) ne pas actionner le levier-poussoir; et
  - 3) diriger le cloueur vers le bas.
- (6) **Éloigner les mains et le corps de la tête de clouage pendant l'utilisation.** Ne jamais approcher les mains ni les pieds à moins de 8 pouces (200 mm) de la tête de clouage. Il y a un risque de blessure grave si les clous sont déviés par la pièce ou qu'ils sont déportés au-delà du point d'entrée.
- (7) **Quand on travaille près du bord d'une pièce ou à un angle prononcé, ou quand on enfonce des clous dans une pièce fine, prendre soin de minimiser le déchiquetage, le fractionnement ou l'éclatement, ou le vol libre, le ricochet ou le perçage des clous, pouvant provoquer des blessures.**
- (8) **Ne jamais enfoncer de clous des deux côtés d'un mur en même temps.** Les clous pourraient traverser le mur et blesser quelqu'un de l'autre côté.
- (9) **Redoubler de précaution quand on cloue dans des murs existants ou d'autres zones mortes pour prévenir le contact avec des objets cachés ou des personnes de l'autre côté (par ex., câbles, tuyaux).**
- (10) **Vérifier s'il y a des fils sous tension.** Pour éviter tout risque d'électrocution grave, vérifier s'il y a des fils sous tension dissimulés dans le mur, le plancher ou le plafond. Couper le disjoncteur pour s'assurer qu'il n'y a pas de fils sous tension.

## SECURITE — Suite

### ⚠ AVERTISSEMENT

- (11) **Ne pas lever, tirer ou abaisser le cloueur par le tuyau.**
- (12) **Ne pas débrancher le tuyau d'air du cloueur avec le doigt sur la gâchette.** Le pourrait se déclencher lorsque l'alimentation d'air sera à nouveau raccordée.
- (13) **Manipuler le cloueur correctement.** Utiliser le cloueur en suivant les instructions du manuel. Ne jamais permettre que le cloueur soit utilisé par des enfants, des personnes non familiarisées avec son fonctionnement ou du personnel non autorisé.
- (14) **Ne jamais utiliser le cloueur pour des applications autres que celles spécifiées dans le présent manuel.**
- (15) **Ne jamais modifier ni altérer un cloueur.** Cela pourrait provoquer un mauvais fonctionnement et entraîner des blessures physiques.
- (16) **Fermer le guide-clous et ne pas l'ouvrir pendant le fonctionnement.** Si l'on enfonce des clous avec le guide-clous ouvert, ils risquent d'être déviés de la pièce.

### RESPONSABILITÉS DE L'EMPLOYEUR, DU PROPRIÉTAIRE DE L'OUTIL ET DE L'OPÉRATEUR DE L'OUTIL

1. Veiller à ce que ce MANUEL reste à la disposition des personnes qui doivent utiliser ou entretenir le cloueur.
2. Former l'opérateur à l'utilisation sécuritaire du cloueur comme décrit dans ce MANUEL.
3. Veiller à ce que seules les personnes qui ont lu et compris ce MANUEL utilisent le cloueur.
4. Veiller à ce que les cloueurs soient utilisés exclusivement lorsque les opérateurs et les autres personnes présentes dans l'aire de travail portent des LUNETTES DE PROTECTION et un autre équipement de protection individuelle approprié comme une PROTECTION POUR LA TÊTE, LES OREILLES ET LES PIEDS.
5. Obliger les opérateurs et les autres personnes présentes dans l'aire de travail à porter des LUNETTES DE PROTECTION.
6. Veiller à ce que les cloueurs soient conservés en bon état de marche comme décrit dans ce MANUEL.
7. Entretenir les cloueurs correctement.
8. Veiller à ce que seul le personnel qualifié répare les cloueurs.
9. Veiller à ce que les cloueurs qui ont besoin d'être réparés soient retirés du service et que des étiquettes et une séparation physique soient utilisées comme moyen de contrôle.

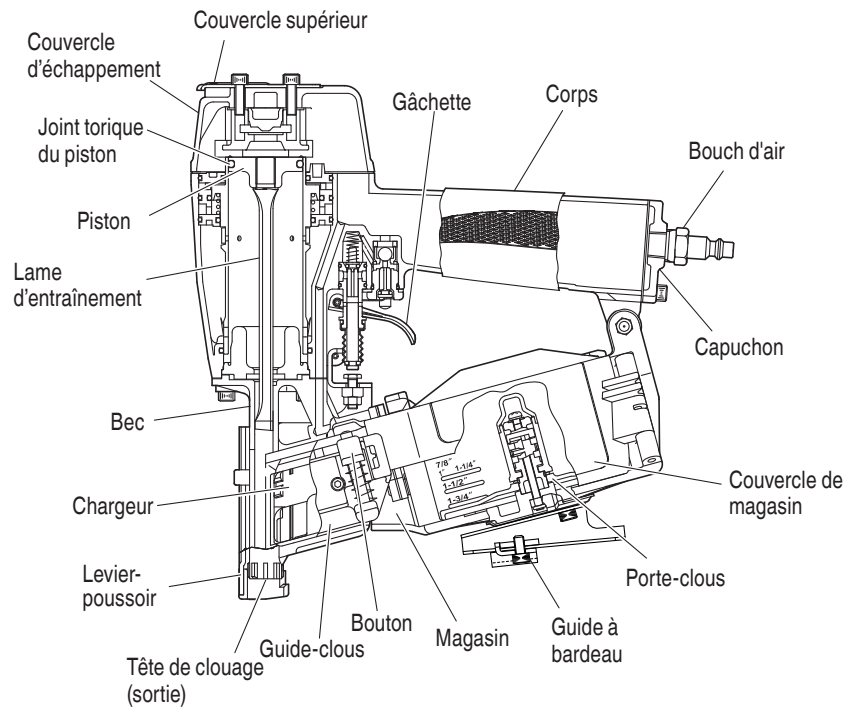
**CONSERVER CE MANUEL ET  
LE METTRE A LA DISPOSITION DES  
UTILISATEURS!**

## UTILISATION

**REMARQUE:** Les informations contenues dans ce manuel ont pour but d'aider l'opérateur à utiliser le cloueur en toute sécurité.

Certaines des illustrations du manuel peuvent montrer des détails ou des accessoires qui diffèrent de ceux de votre cloueur.

### NOM DES PIECES



**SPECIFICATIONS**

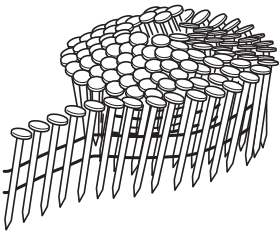
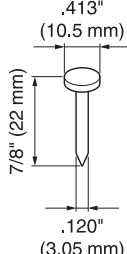

|                                            |                                                                                                             |
|--------------------------------------------|-------------------------------------------------------------------------------------------------------------|
| Pression d'utilisation                     | 70 – 120 psi (4.9 – 8.3 bars, 5 – 8.5 kgf/cm <sup>2</sup> )                                                 |
| Dimensions<br>Longueur x Hauteur x Largeur | 9-27/32" x 10-3/8" x 4-5/8"<br>(250 mm x 264 mm x 117 mm)                                                   |
| Poids                                      | 5.7 lbs (2.6 kg)                                                                                            |
| Contenance de clous                        | 120 clous (1 bobine)                                                                                        |
| Consommation d'air                         | .046 ft <sup>3</sup> /cycle à 100 psi<br>(1.3 l/cycle à 6.9 bars)<br>(1.3 l/cycle à 7 kgf/cm <sup>2</sup> ) |
| Arrivée d'air                              | Filetage 3/8 NPT                                                                                            |

**SELECTION DES CLOUS**

**⚠ AVERTISSEMENT**

- **Bien utiliser exclusivement les clous metabo HPT d'origine avec le NV45AB2. L'utilisation d'autres clous risque de provoquer un mauvais fonctionnement de l'outil et/ou une rupture des clous, et d'entraîner des blessures.**

Seuls les clous indiqués dans le tableau ci-dessous pourront être utilisés avec ce cloueur.

| Bobine de clous fixés par fil                                                       | Min.                                                                                                                                                          | Max.                                                                                                                                                              |
|-------------------------------------------------------------------------------------|---------------------------------------------------------------------------------------------------------------------------------------------------------------|-------------------------------------------------------------------------------------------------------------------------------------------------------------------|
|  |  <p>.413"<br/>(10.5 mm)</p> <p>7/8" (22 mm)</p> <p>.120"<br/>(3.05 mm)</p> |  <p>.413"<br/>(10.5 mm)</p> <p>1-3/4" (45 mm)</p> <p>.120"<br/>(3.05 mm)</p> |

**ACCESSOIRES**

**⚠ AVERTISSEMENT**

- **Les accessoires autres que ceux indiqués ci-dessous risquent de mal fonctionner et de provoquer des blessures.**

**ACCESSOIRES STANDARD**



- ① Lunettes de protection ..... 1

## ACCESSOIRES EN OPTION

... vendus séparément

- Kit de mécanisme de déclenchement séquentiel (N° de code 878226)
- Huile de machine pneumatique
  - Alimenteur d'huile 1 oz (30 cc) (N° de code 877153)
  - Alimenteur d'huile 4 oz (120 cc) (N° de code 874042)
  - Alimenteur d'huile 1 quart (1 l) (N° de code 876212)

**REMARQUE:** Les accessoires sont sujets à modification sans préavis et sans aucune obligation de la part de metabo HPT.

## APPLICATIONS

- Fixation de bardeaux de toiture en asphalte dans la construction des bâtiments.
- Fixation des panneaux isolants dans la construction des bâtiments.

## AVANT L'UTILISATION

Lire la section intitulée "SECURITE" (pages 23 – 27).

Bien vérifier les points suivants avant de travailler.

## ENVIRONNEMENT DE TRAVAIL

### ⚠ AVERTISSEMENT

- Pas de gaz ou liquides inflammables, ni aucun autre objet inflammable sur le chantier.
- Evacuer les enfants et les personnes non autorisées de l'aire de travail.

## ALIMENTATION D'AIR

### ⚠ DANGER



- NE JAMAIS utiliser de gaz réactifs ni aucun autre gaz en bouteille. Il pourrait se produire une explosion.

### ⚠ AVERTISSEMENT

- Ne jamais raccorder le cloueur à une pression qui risque de dépasser 200 psi (13.7 bars 14 kgf/cm<sup>2</sup>) si une défaillance du régulateur se produit.
- Ne jamais utiliser de coupleur non dégageant sur le cloueur.

1. Alimentation
  - Utiliser exclusivement de l'air comprimé propre, sec et régulé avec ce cloueur.

- Les compresseurs d'air utilisés pour alimenter l'air comprimé au cloueur devront respecter les exigences ANSI B19.3 "Normes de sécurité pour les compresseurs des industries de transformation".
- L'humidité ou l'huile dans le compresseur d'air peuvent accélérer l'usure et la corrosion du cloueur. Purger tous les jours.

## 2. Filtre-régulateur-lubrificateur

- Utiliser un régulateur d'une pression comprise entre 0 – 120 psi (0 – 8.3 bars 0 – 8.5 kgf/cm<sup>2</sup>).
- Les unités filtre-régulateur-lubrificateur procureront les conditions optimales du cloueur et accroîtront sa durée de service.

Toujours les utiliser.

**Filtre** .....Le filtre enlève l'humidité et la saleté mélangées à l'air comprimé.

Purger tous les jours, sauf si l'outil possède une purge automatique.  
Nettoyer régulièrement le filtre.

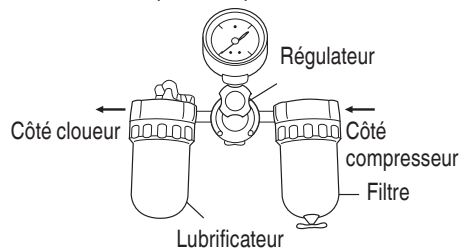
**Régulateur**.....Le régulateur contrôle la pression de fonctionnement afin d'assurer la sécurité du cloueur.

Inspecter le régulateur avant le travail pour s'assurer qu'il fonctionne correctement.

**Lubrificateur**...Le lubrificateur alimente de l'huile vaporisée au cloueur.

Inspecter le lubrificateur avant le travail pour s'assurer que l'alimentation d'huile est adéquate.

Utiliser une huile de machine pneumatique metabo HPT.



## 3. Tuyau d'air

Les tuyaux d'alimentation d'air comprimé doivent avoir une pression de travail minimum égale ou supérieure à la pression de la source d'alimentation si une défaillance du régulateur se produit, ou égale ou supérieure à 150 psi (10.4 bar 10.6 kgf/cm<sup>2</sup>), à savoir la plus élevée.

4. Consommation d'air  
Sélectionner la taille du compresseur en se reportant au tableau de consommation d'air et aux formules de taille du compresseur.

Tableau de consommation d'air

|                            |                        |       |       |       |
|----------------------------|------------------------|-------|-------|-------|
| Pression de fonctionnement | psi                    | 80    | 90    | 100   |
|                            | (bar)                  | (5.5) | (6.2) | (6.9) |
|                            | (kgf/cm <sup>2</sup> ) | (5.6) | (6.3) | (7)   |
| Consommation d'air         | ft <sup>3</sup> /cycle | .033  | .039  | .046  |
|                            | (l/cycle)              | (.93) | (1.1) | (1.3) |

Formules de taille du compresseur d'air

Quantité d'air requise

=nombre de clous

× clous moyens enfoncés par minute par le cloueur

× consommation d'air à une pression donnée

× facteur de sécurité (toujours 1.2)

Exemple: 2 cloueurs fonctionnant à 100 psi et enfonçant 30 clous par minute

Quantité d'air requise

=2 × 30 × .046 (1.3) × 1.2

=3.3 CFM (ft<sup>3</sup>/mn) (94 l/mn)

Effectuer le calcul ci-dessus pour obtenir un compresseur fournissant les 3.3 CFM d'air nécessaires.

### GRAISSAGE

Il est essentiel que le cloueur soit graissé correctement.

Si le cloueur est mal graissé, il ne fonctionnera pas correctement et les pièces s'useront prématurément.

- Utiliser une huile de machine metabo HPT.  
Ne pas utiliser d'huile détergente ni d'additifs. Ces lubrifiants endommageraient les joints toriques et les autres pièces en caoutchouc. Cela provoquerait un mauvais fonctionnement du cloueur.
- Toujours utiliser des unités filtre-régulateur-lubrificateur.  
Veiller à ce que le régulateur soit toujours plein d'huile de machine pneumatique metabo HPT.
- Si l'on ne possède pas de lubrificateur, mettre 5 à 10 gouttes d'huile de machine pneumatique metabo HPT dans le bouchon d'air du cloueur deux fois par jour.

### ENTRETIEN PAR TEMPS FROID

- Ne pas ranger le cloueur dans un environnement froid.  
Le laisser dans un endroit chaud jusqu'à ce que l'on soit prêt à travailler.
- Si le cloueur est déjà froid, l'amener dans un endroit chaud et le laisser réchauffer avant de l'utiliser.
  - ① Réduire la pression d'air à 64 psi (4.4 bars 4.5 kgf/cm<sup>2</sup>).

- ② Sortir tous les clous du cloueur.
- ③ Raccorder le tuyau d'air et faire un essai de clouage (clouage à blanc).  
La pression d'air inférieure sera suffisante pour le clouage à blanc.  
Les opérations à vitesse lente ont tendance à chauffer les pièces mobiles.

### ⚠ ATTENTION

- Ne pas faire un essai de clouage à blanc à haute pression.

### ESSAI DU CLOUEUR

#### ⚠ DANGER



- Les opérateurs et les autres personnes dans l'aire de travail DOIVENT porter des lunettes de protection avec visières latérales respectant les exigences ANSI Z87.1. Les lunettes ordinaires ne fournissent pas une protection adéquate.

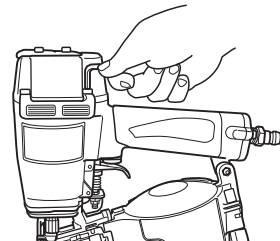
#### ⚠ AVERTISSEMENT

- Ne jamais utiliser le cloueur si le levier-poussoir ne fonctionne pas correctement.

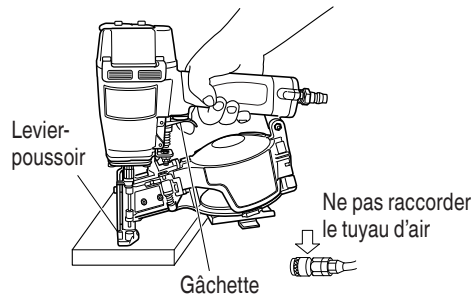
Avant de commencer le travail proprement dit, faire un essai de clouage en vérifiant les points ci-dessous. Effectuer les essais dans l'ordre indiqué.

S'il se produit un fonctionnement anormal, cesser immédiatement d'utiliser le cloueur et contacter un service après-vente agréé metabo HPT.

- (1) DEBRANCHER LE TUYAU D'AIR DU CLOUEUR. SORTIR TOUS LES CLOUS DU CLOUEUR.
  - TOUTES LES VIS DOIVENT ETRE SERREES A FOND.  
Si certaines vis sont relâchées, les revisser.



- LE LEVIER-POUSOIR ET LA GACHETTE DOIVENT FONCTIONNER AVEC SOUPLESSE.

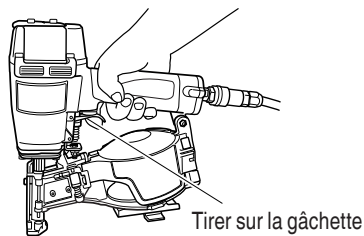


- (2) Régler la pression d'air sur 70 psi (4.9 bar 5 kgf/cm<sup>2</sup>).  
Raccorder le tuyau d'air.

- LE CLOUEUR NE DOIT PAS AVOIR DE FUITE D'AIR.

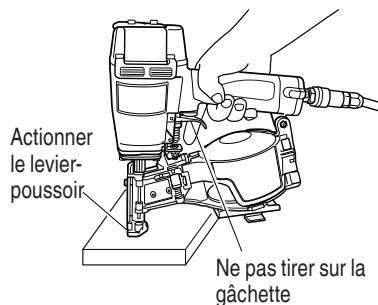
Diriger le cloueur vers le bas et tirer sur la gâchette.

- LE CLOUEUR NE DOIT PAS FONCTIONNER.



- (3) Retirer le doigt de la gâchette et appuyer le levier-poussoir contre le bois.

- LE CLOUEUR NE DOIT PAS FONCTIONNER.



- (4) Sans toucher la gâchette, actionner le levier-poussoir contre la pièce.  
Tirer sur la gâchette.

- LE CLOUEUR DOIT FONCTIONNER.

- (5) Le cloueur ne touchant plus la pièce, tirer sur la gâchette.  
Actionner le levier-poussoir contre la pièce.

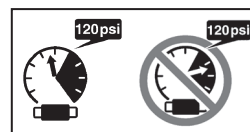
- LE CLOUEUR DOIT FONCTIONNER.

- (6) Si l'on ne remarque aucun fonctionnement anormal, on pourra mettre des clous dans le cloueur.  
Enfoncer les clous dans un matériau du même type que celui du travail proprement dit.

- LE CLOUEUR DOIT FONCTIONNER CORRECTEMENT.

### RÉGLAGE DE LA PRESSION D'AIR

#### ⚠ AVERTISSEMENT



- Ne pas dépasser 120 psi (8.3 bars 8.5 kgf/cm<sup>2</sup>).

Régler la pression d'air à la pression de travail recommandée de 70 - 120 psi (4.9 - 8.3 bars 5 - 8.5 kgf/cm<sup>2</sup>) en fonction de la longueur des clous et de la dureté du matériau.

La pression d'air correcte est la pression la plus basse capable d'effectuer le travail. L'utilisation d'une pression d'air supérieure à la pression nécessaire fatiguera inutilement le cloueur.

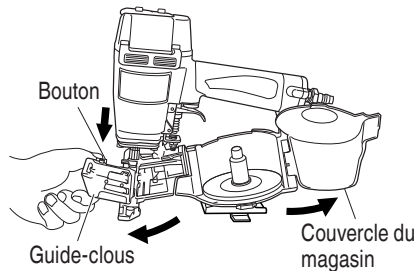
### CHARGEMENT DES CLOUS

#### ⚠ AVERTISSEMENT

- Lors du chargement des clous dans le cloueur,
  - 1) ne pas appuyer sur la gâchette;
  - 2) ne pas actionner le levier-poussoir; et
  - 3) diriger le cloueur vers le bas.

- (1) Saisir le guide-clous et le bouton avec les doigts.  
Pousser le bouton vers le bas et ouvrir le guide-clous.  
Ouvrir le couvercle du magasin.

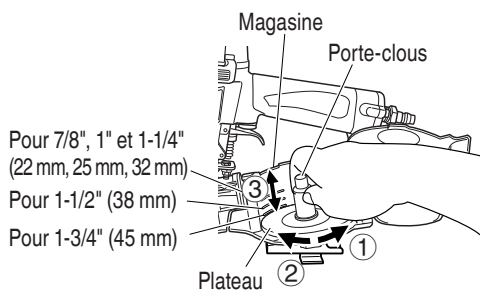




- (2) Ajuster la position du porte-clous en fonction de la longueur des clous.

Les clous ne seront pas chargés en douceur si le porte-clous n'est pas correctement ajusté.

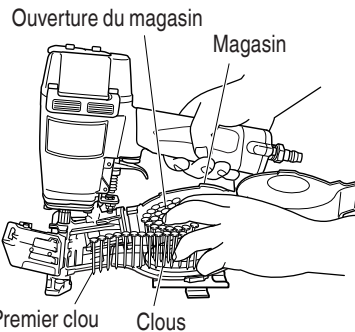
- ① Tourner le porte-clous d'environ 90 degrés dans le sens contraire des aiguilles d'une montre.
- ② Monter et descendre le porte-clous pour aligner sa plaque avec la marque du magasin en fonction de la longueur des clous utilisés.
- ③ Tourner le porte-clous de 90 degrés dans le sens des aiguilles d'une montre jusqu'à ce qu'un "clic" soit entendu.



**REMARQUE:**

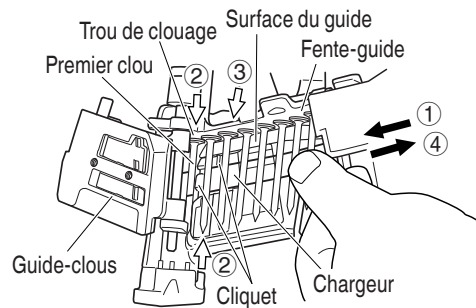
Avant de charger les clous dans le magasin, ajuster le porte-clous. Si le couvercle du magasin est fermé en force sans que le porte-clous n'ait été ajusté correctement, le porte-clous risque d'être endommagé.

- (3) Placer le rouleau de clous dans le magasin  
Insérer le premier clou dans l'ouverture du magasin.



- (4) Refermer le couvercle du magasin.

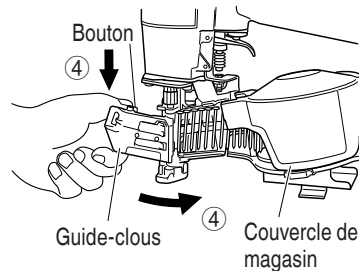
- (5) ① Dérouler suffisamment de clous pour atteindre le trou de clouage.  
② Insérer le premier clou dans le trou de clouage et le second clou entre les deux cliquets du chargeur.  
③ Ajuster la tête du clou dans la fente-guide.



**REMARQUE:**

Faire attention de ne pas déformer les fils de fixation et de ne pas désengager les clous de la surface du guide.  
Sinon, le guide-clous ne fermera pas correctement.

- ④ En tirant les clous sur la droite.  
Après avoir vérifié que le couvercle du magasin est bien fermé, accrocher les doigts sur le guide-clous et le bouton, tourner le guide-clous dans le sens des aiguilles d'une montre tout en appuyant sur le bouton, puis refermer le couvercle du magasin à fond.



(6) Verrouiller le bouton complètement.

Le cloueur est maintenant prêt à fonctionner.

## UTILISATION DU CLOUEUR

Lire la section intitulée "SECURITE" (pages 23 – 27).

### ⚠ DANGER



- Les opérateurs et les autres personnes dans l'aire de travail **DOIVENT** porter des lunettes de protection avec visières latérales respectant les exigences ANSI Z87.1. Les lunettes ordinaires ne fournissent pas une protection adéquate.

### ⚠ AVERTISSEMENT



- Seules les personnes qui ont lu et compris ce **MANUEL** doivent utiliser le cloueur.
- **NE JAMAIS** diriger l'outil vers soi ni vers quelqu'un d'autre dans l'aire de travail.
- Maintenir les doigts **ÉLOIGNÉS** de la gâchette quand on n'enfonce pas de clous pour éviter un clouage accidentel.
- Connaître et comprendre le système de gâchette utilisé.  
Lire et bien assimiler les "Méthodes d'utilisation" ci-dessous.
- Ne jamais approcher les mains ni les pieds à moins de 8 pouces (200 mm) de la tête de clouage lors de l'utilisation.

- Ne pas enfoncer de clous sur d'autres clous; les clous pourraient ricocher et blesser quelqu'un.
- Ne pas actionner le cloueur à moins qu'il ne soit placé fermement contre la pièce de travail.
- Pour éviter tout risque de déclenchement double ou toute éjection inadvertante d'un clou dus à un bondissement du cloueur,
  - 1) ne pas appuyer le cloueur trop fort contre la pièce ;
  - 2) éloigner complètement le cloueur de la pièce avec le rappel ;
  - 3) relâcher la gâchette rapidement lorsqu'on effectue un clouage par gâchette.
- Quand on travaille près du bord d'une pièce ou à un angle prononcé, ou quand on enfonce des clous dans une pièce fine, prendre soin de minimiser le déchiquetage, le fractionnement ou l'éclatement, ou le vol libre, le ricochet ou le perçage des clous, pouvant provoquer des blessures.
- Ne jamais enfoncer de clous des deux côtés d'un mur en même temps. Les clous pourraient traverser le mur et blesser quelqu'un de l'autre côté.
- Ne jamais utiliser le cloueur s'il est défectueux ou qu'il ne fonctionne pas normalement.
- Ne pas se servir du cloueur comme d'un marteau.
- Débrancher le tuyau d'air du cloueur quand:
  - 1) on ne s'en sert pas;
  - 2) on quitte l'aire de travail;
  - 3) on le soulève ou l'abaisse, ou on le déplace dans un autre endroit;
  - 4) on le passe à quelqu'un d'autre;
  - 5) on effectue tout entretien ou réparation;
  - 6) on retire les clous bloqués;
  - 7) le cloueur n'est pas sous la supervision ou le contrôle de l'opérateur;
  - 8) on retire les clous du chargeur; et
  - 9) on règle la profondeur de clouage.

Ce cloueur metabo HPT possède un MÉCANISME DE DÉCLENCHEMENT PAR CONTACT STANDARD (activation par band). Il existe un lot de MÉCANISME DE DÉCLENCHEMENT SÉQUENTIEL EN OPTION (CLOUAGE SIMPLE) dont le numéro de pièce de commande est 878226.

On utilisera LE MÉCANISME DE DÉCLENCHEMENT PAR CONTACT STANDARD (activation par band) pour effectuer un clouage rapide, et en respectant la "METHODES D'UTILISATION" ci-dessous.

**REMARQUE:**

Veiller à ce que le dernier clou ne puisse pas tomber ni ne soit planté de travers.

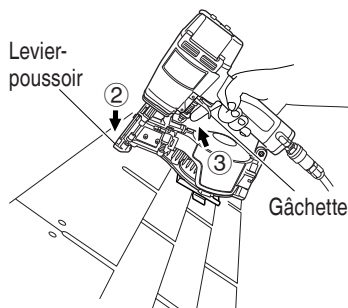
**MÉTHODES D'UTILISATION**

Le cloueur est équipé d'un levier-poussoir et il ne fonctionne pas tant que le levier-poussoir n'est pas enfoncé (position supérieure).

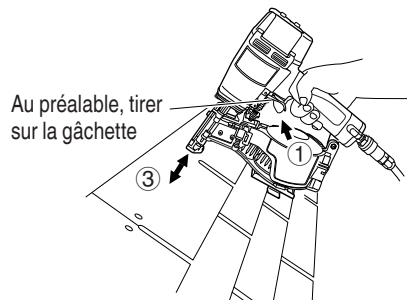
Il y a deux façons d'enfoncer des clous avec le cloueur.

Ces deux méthodes sont:

1. Fonctionnement intermittent (déclenchement par gâchette):
  2. Fonctionnement continu (déclenchement par levier-poussoir):
- (1) Fonctionnement intermittent (déclenchement par gâchette)
- ① Placer l'orifice de sortie des clous sur la pièce en enlevant le doigt de la gâchette.
  - ② Actionner fermement le levier-poussoir jusqu'à ce qu'il soit complètement enfoncé.
  - ③ Tirer sur la gâchette pour enfoncer un clou.
  - ④ Retirer le doigt de la gâchette.
- Pour enfoncer un autre clou, déplacer le cloueur le long de la pièce à travailler, en répétant les étapes ① – ④ selon la procédure requise.



- (2) Fonctionnement continu (déclenchement par levier-poussoir) :
- ① Tirer sur la gâchette en retirant le cloueur de la pièce.
  - ② Actionner le levier-poussoir contre la pièce pour enfoncer un clou.
  - ③ Déplacer le cloueur le long de la pièce en lui faisant faire des bonds.  
Chaque pression du levier-poussoir enfonce un clou.
- Dès que le nombre de clous voulu est enfoncé, retirer le doigt de la gâchette.



**⚠ AVERTISSEMENT**

- Ne pas mettre le doigt sur la gâchette sauf pendant une opération de clouage, car un contact accidentel du levier-poussoir sur l'opérateur ou sur les personnes alentour pourrait entraîner des blessures graves.
- Ne pas approcher les mains ni le corps de la section de sortie des clous. Ce cloueur metabo HPT risque de faire un bond sous l'effet du rappel après l'enfoncement d'un clou, ce qui pourrait enfoncer un autre clou non prévu et provoquer des blessures.
- Certains types de clous peuvent s'éjecter de la buse pendant une opération de clouage quand ils sont chargés. Faire attention!

On utilisera **LE MÉCANISME DE DÉCLENCHEMENT SÉQUENTIEL EN OPTION (CLOUAGE SIMPLE)** pour effectuer un clouage précis et en respectant la "méthode de fonctionnement" ci-dessous.

Appuyer tout d'abord sur le levier-poussoir (position "haut") à l'endroit où l'on veut enfoncer le clou, puis tirer sur la gâchette. Après avoir enfoncé chaque clou, relâcher complètement la gâchette et relever l'outil de la surface de travail. Le **MÉCANISME DE DÉCLENCHEMENT SÉQUENTIEL EN OPTION** réduit les risques de blessures pour l'opérateur et les personnes qui se trouvent dans l'aire de travail. En effet, il risque moins d'enfoncer accidentellement un clou si l'on garde le doigt sur la gâchette et qu'on appuie accidentellement le levier-poussoir contre soi ou contre une autre personne. Le **MÉCANISME DE DÉCLENCHEMENT SÉQUENTIEL EN OPTION** réduit également la vitesse de clouage par rapport au mécanisme de déclenchement par contact standard.

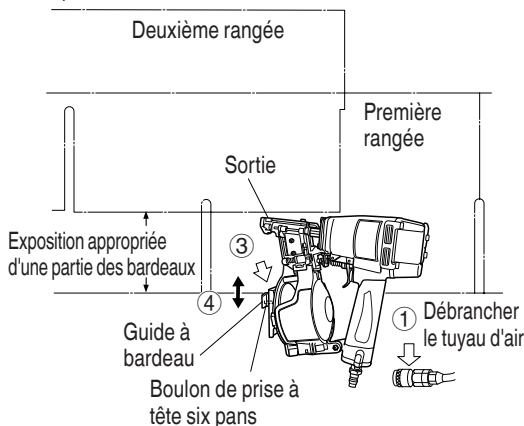
**REMARQUE:**

- LE MÉCANISME DE DÉCLENCHEMENT PAR CONTACT STANDARD et LE MÉCANISME DE DÉCLENCHEMENT SÉQUENTIEL EN OPTION sont tous deux parfaitement sûrs s'ils sont utilisés conformément aux avertissements et aux instructions.
- Toujours manier les clous et le paquet avec précaution. En effet, si les clous tombent par terre, le fil d'assemblage risque d'être endommagé voire de se couper ce qui aurait pour effet d'empêcher un chargement régulier des clous ou de provoquer un bourrage.
- Après le clouage:
  - 1) débrancher le tuyau d'air du cloueur;
  - 2) sortir tous les clous du cloueur;
  - 3) mettre 5 ou 10 gouttes d'huile de machine pneumatique metabo HPT dans le bouchon d'air du cloueur; et
  - 4) ouvrir le robinet de purge du réservoir du compresseur d'air pour purger toute l'humidité.

**UTILISATION DU GUIDE A BARDEAU**

Le guide à bardeau peut être utilisé pour ajuster l'espacement des bardeaux. Ajuster le guide à bardeau de la façon suivante.

- ① DEBRANCHER LE TUYAU D'AIR DU CLOUEUR
- ② Desserrer le boulon de la prise à tête six pans avec la clé mâle six pans fournie comme accessoire.
- ③ Amener le guide à bardeau contre le bord inférieur de la première rangée de bardeaux.
- ④ Régler la distance entre la sortie et le guide à bardeau de manière à obtenir une exposition appropriée d'une partie des bardeaux.
- ⑤ Bloquer fermement le boulon de la prise à tête six pans.



**REMARQUE:**

- L'exposition appropriée d'une partie des bardeaux est fonction du type de bardeau et des spécifications du fabricant.
- Le guide à bardeau ne doit pas être utilisé comme un indicateur de position de clouage.

**RÉGLAGE DE LA PROFONDEUR DE CLOUAGE**

**AVERTISSEMENT**

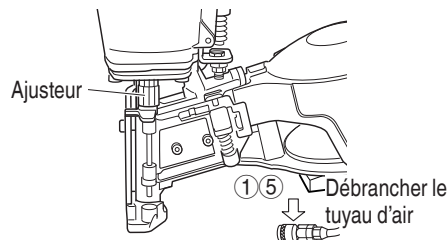
- Débrancher le tuyau d'air du cloueur avant de tourner l'ajusteur.

Pour que les clous s'enfoncent tous à la même profondeur, s'assurer que:

- 1) la pression d'air du cloueur reste constante (le régulateur est installé et il fonctionne normalement), et
- 2) le cloueur est toujours maintenu fermement contre la pièce.

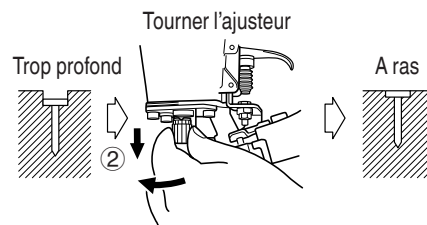
Si les clous sont enfoncés trop loin ou pas assez dans la pièce, régler le clouage dans l'ordre suivant.

- ① DEBRANCHER LE TUYAU D'AIR DU CLOUEUR.



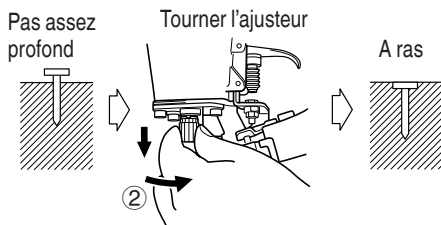
- ② Si les clous s'enfoncent trop profondément, tourner l'ajusteur dans le sens inverse des aiguilles d'une montre tout en le tirant vers le bas.

Lorsque l'ajusteur est libéré, il remonte vers le haut. De plus, tourner l'ajusteur jusqu'à ce qu'il atteigne la position où il soit possible de le fixer avec un clic.



Si les clous ne s'enfoncent pas assez profondément, tourner l'ajusteur dans le sens des aiguilles d'une montre tout en le tirant vers le bas.

Lorsque l'ajusteur est libéré, il remonte vers le haut. De plus, tourner l'ajusteur jusqu'à ce qu'il atteigne la position où il soit possible de le fixer avec un clic.



L'ajusteur se fixe à chaque quart de rotation. L'ajusteur se déplace d'environ 0.25 mm par quart de rotation.

- ③ Cesser de tourner l'ajusteur quand on a trouvé la position qui convient lors de l'essai de clouage.
- ④ Brancher le tuyau d'air.  
**TOUJOURS PORTER DES LUNETTES DE PROTECTION.**  
Effectuer un clouage d'essai.
- ⑤ DEBRANCHER LE TUYAU D'AIR DU CLOUEUR.
- ⑥ Sélectionner la position de l'ajusteur qui convient.

## ENTRETIEN

**REMARQUE:** Les informations contenues dans ce manuel ont pour but d'aider l'opérateur à utiliser le cloueur en toute sécurité.

Certaines des illustrations du manuel peuvent montrer des détails ou des accessoires qui diffèrent de ceux de votre cloueur.

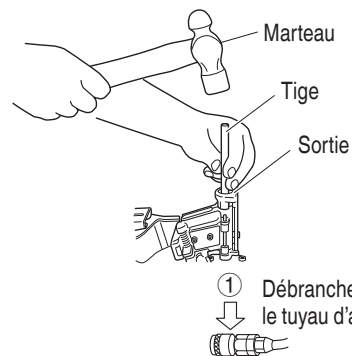
### ENTRETIEN ET INSPECTION

Lire la section intitulée "SECURITE" (pages 23 – 27).

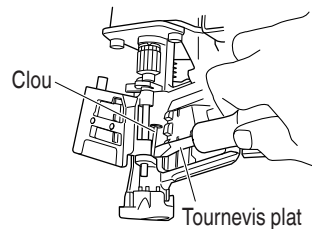
#### ⚠ AVERTISSEMENT

- Débrancher le tuyau d'air et sortir tous les clous du cloueur quand:
  - 1) on entretient ou on inspecte le cloueur; et
  - 2) on retire des clous coincés.
- Ne jamais se servir d'essences ou de liquides hautement inflammables pour effectuer l'entretien de l'outil.

1. Elimination d'un blocage  
Retirer un clou bloqué dans l'ordre suivant:
  - ① DEBRANCHER LE TUYAU D'AIR.
  - ② Ouvrir le guide-clous.
  - ③ Insérer une tige dans la sortie.  
Taper sur la tige avec un marteau.



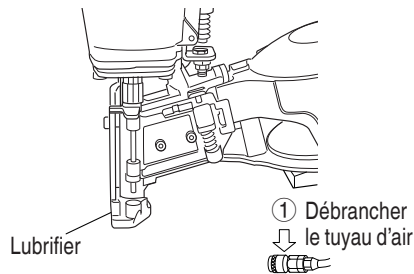
- ④ Retirer le clou bloqué avec un tournevis plat.



- ⑤ Couper le fil de fixation déformé avec des tenailles.  
Corriger la déformation.
- ⑥ En cas de blocages fréquents, contacter un centre de réparation autorisé metabo HPT.

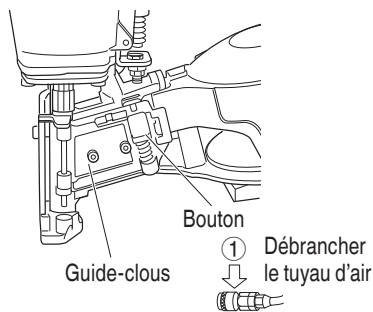
### 2. Inspection du levier-poussoir

- ① DEBRANCHER LE TUYAU D'AIR.
- ② Nettoyer la partie coulissante du levier-poussoir.  
La lubrifier avec le lubrifiant pour outil pneumatique metabo HPT.



### 3. Inspection des chargeurs

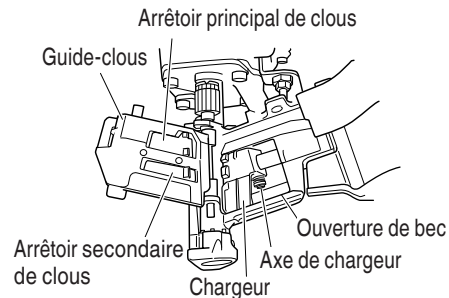
- ① DEBRANCHER LE TUYAU D'AIR.
- ② Nettoyer la partie coulissante du bouton.  
La lubrifier avec le lubrifiant pour outil pneumatique metabo HPT.



- ③ Ouvrir le guide-clous et retirer la poussière.  
Lubrifier l'ouverture du bec et l'axe du chargeur.

### ⚠ ATTENTION

- Vérifier que l'arrêt principal de clou et l'arrêt secondaire de clou coulissent sans offrir de résistance, ce qui peut être vérifié en les actionnant du doigt.  
S'il existe une résistance, les clous risquent d'être chargés suivant une orientation anormale et ceci présente un risque d'accident aux personnes en présence.

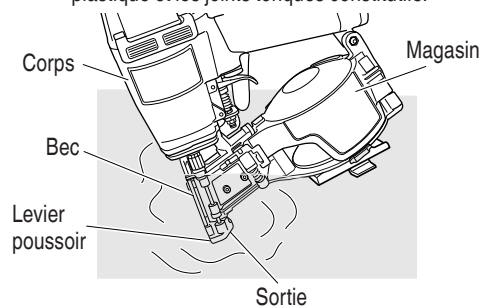


- ④ Lubrifier les surfaces de chargement du bec et le guide-clous après le nettoyage.  
Cela favorise un fonctionnement doux et protège de la rouille.

4. Nettoyage et dégagement de goudron et de saletés.  
Du goudron et des saletés peuvent s'accumuler sur le bec et le levier poussoir.  
Ceci risqué d'entraver le fonctionnement de l'outil.  
Nettoyer et retirer le goudron et les saletés avec du pétrole lampant, du gazole no. 2 ou du combustible diesel.

NE JAMAIS SE SERVIR D'ESSENCE ni d'autres liquides hautement inflammables. En effet, les vapeurs de ces liquides s'accumulant à l'intérieur du cloueur peuvent s'enflammer avec la production des étincelles pendant les opérations de clouage et ceci peut se traduire par une explosion.

- ① Imprégner uniquement la partie environnante de la sortie de la tête de clouage de solvant. Ne jamais plonger le magasin ni le corps de l'outil dans le solvant.  
Ceci risqué d'endommager les pièces en plastique et les joints toriques constitutifs.



- ② Assécher complètement le cloueur avant de s'en servir.  
Tout film d'huile subsistant après le nettoyage favorisera l'accumulation de goudron de sorte qu'un entretien plus fréquent du cloueur sera nécessaire.

- ③ Vérifier que le fonctionnement du levier poussoir est normal.

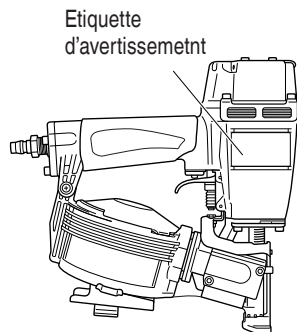
**⚠ AVERTISSEMENT**

- **Ne jamais utiliser le cloueur si le fonctionnement du levier poussoir est anormal.**

**REMARQUE:**

Les solvants pulvérisés sur le bec de la tête de clouage servant à nettoyer et à libérer la mobilité du levier poussoir peuvent provoquer un effet inverse en cas de mauvaise utilisation. En effet, le solvant risque de ramollir le goudron des bardeaux et de favoriser une accumulation de goudron sur l'outil. Un fonctionnement à sec est préférable.

- Inspection du magasin
  - DEBRANCHER LE TUYAU D'AIR.
  - Nettoyer le magasin. Retirer les morceaux de papier ou les éclats de bois qui ont pu s'accumuler dans le magasin.
- Remisage
  - Si l'on ne se sert pas du cloueur pendant un certain temps, enduire ses pièces en acier d'une mince couche de graisse pour éviter toute corrosion.
  - Ne pas remiser le cloueur dans un environnement froid.  
Le laisser dans un endroit chaud.
  - Lorsqu'on ne se sert pas du cloueur, le remiser dans un endroit chaud et sec.  
Le ranger hors de portée des enfants.
- ETIQUETTE D'AVERTISSEMENT  
Ne pas utiliser le cloueur si l'ÉTIQUETTE D'AVERTISSEMENT manque ou est endommagée.  
Se procurer une nouvelle ETIQUETTE D'AVERTISSEMENT auprès d'un service après-vente metabo HPT agréé.



- Tableau d'entretien (voir page 40)
- Guide de dépannage de l'opérateur (voir page 41)
- Liste des pièces de rechange

**⚠ ATTENTION**

- **Les réparations, modifications et inspections des outils électriques metabo HPT doivent être confiées à un service après-vente metabo HPT agréé.**  
**Il sera utile de présenter cette liste de pièces au service après-vente metabo HPT agréé lorsqu'on apporte un outil nécessitant des réparations ou tout autre entretien. Lors de l'utilisation et de l'entretien d'un outil électrique, respecter les règlements et les normes de sécurité en vigueur dans le pays en question.**

**MODIFICATIONS:**

Les outils électriques metabo HPT sont constamment améliorés et modifiés afin d'incorporer les tous derniers progrès technologiques.

En conséquence, il est possible que certaines pièces soient modifiées sans avis préalable.

**ENTRETIEN ET REPARATIONS**

**⚠ AVERTISSEMENT**

- **Les réparations du cloueur seront confiées exclusivement au personnel d'entretien formé par metabo HPT, au distributeur ou à l'employeur.**
- **Pour les réparations, utiliser exclusivement des pièces fournies ou recommandées par metabo HPT.**

Du fait de l'usure normale, les cloueurs de qualité finissent toujours par avoir besoin d'un entretien ou d'un remplacement de pièce.

**REMARQUE:** Les spécifications sont sujettes à modification sans préavis et sans aucune obligation de la part de metabo HPT.

## Français

Tableau d'entretien

| ACTION                                                                                                                   | POURQUOI                                                                     | COMMENT                                                       |
|--------------------------------------------------------------------------------------------------------------------------|------------------------------------------------------------------------------|---------------------------------------------------------------|
| Purger le filtre de la ligne d'air tous les jours.                                                                       | Eviter l'accumulation d'humidité et de poussière.                            | Ouvrir le robinet de purge manuel.                            |
| Veiller à ce que le lubrificateur soit toujours plein.                                                                   | Maintenir le cloueur bien graissé.                                           | Remplir d'huile de machine pneumatique metabo HPT.            |
| Nettoyer l'élément du filtre et souffler de l'air à travers le filtre dans le sens opposé au flux normal tous les jours. | Eviter le colmatage du filtre par la saleté.                                 | Suivre les instructions du fabricant.                         |
| Nettoyer le magasin et le mécanisme de l'alimenteur de clous.                                                            | Eviter que les clous ne se coincent.                                         | Nettoyer en soufflant de l'air tous les jours.                |
| Veiller à ce que le levier-poussoir fonctionne toujours correctement.                                                    | Assurer la sécurité de l'opérateur et un fonctionnement efficace du cloueur. | Nettoyer en soufflant de l'air tous les jours.                |
| Graisser le cloueur après l'utilisation.                                                                                 | Rallonger la durée de service du cloueur.                                    | Mettre 5 ou 10 gouttes de graisse dans le cloueur.            |
| Purger le compresseur d'air tous les jours.                                                                              | Maintenir le cloueur en bon ordre de marche.                                 | Ouvrir le robinet de purge du réservoir du compresseur d'air. |



Guide de dépannage de l'opérateur

En suivant le tableau ci-dessous, la plupart des problèmes mineurs pourront être corrigés rapidement et en toute facilité.

Si le problème persiste, contacter un service après-vente metabo HPT agréé.

| PROBLEME                                                                                  | VERIFICATION                                                      | CORRECTION                                                                                               |
|-------------------------------------------------------------------------------------------|-------------------------------------------------------------------|----------------------------------------------------------------------------------------------------------|
| Le cloueur fonctionne, mais les clous ne s'enfoncent pas.                                 | Ouvrir le guide-clous. Vérifier si un clou est coincé             | Dégager le clou coincé page 37                                                                           |
|                                                                                           | Vérifier le fonctionnement de l'alimenteur de clous à la page 37. | Nettoyer et graisser.                                                                                    |
|                                                                                           | Vérifier si l'on utilise les bons clous.                          | Utiliser uniquement les clous recommandés.                                                               |
| Entraînement faible.<br>Cycle lent.                                                       | Vérifier la pression d'air.                                       | Augmenter la pression d'air.<br>(Ne pas dépasser 120 psi<br>(8.3 bars 8.5 kgf/cm <sup>2</sup> .)         |
|                                                                                           | Vérifier la position du régleur à la page 36.                     | Refaire un réglage.                                                                                      |
|                                                                                           | —                                                                 | Utiliser une huile de machine pneumatique metabo HPT.                                                    |
|                                                                                           | La lame d'entraînement est-elle usée?                             | Contacteur metabo HPT pour le remplacement.                                                              |
|                                                                                           | Le joint torique du piston est-il usé ou endommagé?               |                                                                                                          |
| Les clous s'enfoncent trop profondément.                                                  | Vérifier la pression d'air.                                       | Réduire la pression d'air.<br>(Régler sur 70 – 120 psi<br>(4.9 – 8.3 bars 5 – 8.5 kgf/cm <sup>2</sup> )) |
|                                                                                           | Vérifier la position du régleur à la page 36.                     | Refaire un réglage.                                                                                      |
| Certains clous sont sautés.<br>Alimentation intermittente.                                | Vérifier si l'on utilise les bons clous.                          | Utiliser uniquement les clous recommandés.                                                               |
|                                                                                           | Vérifier le fonctionnement de l'alimenteur de clous à la page 37. | Nettoyer et graisser.                                                                                    |
|                                                                                           | —                                                                 | Utiliser une huile de machine pneumatique metabo HPT.                                                    |
|                                                                                           | Vérifier la position du porte-clous dans le magasin à la page 32. | Ajuster le porte-clous sur la position correcte.                                                         |
|                                                                                           | Le joint torique du piston est-il coupé ou très usé?              | Contacteur metabo HPT pour le remplacement.                                                              |
| Des clous se coincent.<br>Les clous enfoncés sont tordus.                                 | Vérifier si l'on utilise les bons clous.                          | Utiliser uniquement les clous recommandés.                                                               |
|                                                                                           | La lame d'entraînement est-elle usée?                             | Contacteur metabo HPT pour le remplacement.                                                              |
| Les clous s'enfoncent bien normalement, mais pas complètement à des vitesses supérieures. | Vérifier le diamètre intérieur du tuyau d'air.                    | Utiliser un tuyau d'air plus large.                                                                      |

---

## INFORMACIÓN IMPORTANTE SOBRE SEGURIDAD

---



Lea y comprenda el significado de las etiquetas de la herramienta y todas las instrucciones de funcionamiento, las precauciones de seguridad y las advertencias de este manual antes de realizar la operación o el mantenimiento de este clavador.

La negligencia en la observación de las advertencias puede producir la MUERTE o LESIONES DE GRAVEDAD.

La mayoría de los accidentes se ocurridos al utilizar o mantener este clavador se deben a la falta de tener en cuenta las normas de seguridad y precauciones básicas. Los accidentes podrán evitarse en muchos casos dándose cuenta de una situación peligrosa antes de que se produzca, y observando fielmente los procedimientos de seguridad apropiados.

Las precauciones básicas de seguridad se describen en la sección "SEGURIDAD" de este manual, y en las secciones que contienen las instrucciones sobre operación y mantenimiento.

Los riesgos que habrá que eludir para evitar lesiones o el daño de la máquina se identifican mediante PELIGRO y ADVERTENCIA en el clavador y en este manual.

**No utilice NUNCA** este clavador para aplicaciones que no sean las especificadas en este manual.

---

## DEFINICIÓN DE LAS PALABRAS CLAVE

---

**PELIGRO** indica una situación inminentemente peligrosa que, si no se evita, puede resultar en lesiones serias o en la muerte.

**ADVERTENCIA** indica una situación potencialmente peligrosa que, si no se evita, puede resultar en lesiones serias o en la muerte.

**PRECAUCIÓN** indica una situación potencialmente peligrosa que, si no se evita, puede resultar en lesiones menores, o en el daño de la máquina.

**NOTA** enfatiza información esencial.

---

## EXPLICACIÓN LA ACCIÓN DE CLAVADO DEL CLAVADOR metabo HPT

---

○ MECANISMO DE ACTUACIÓN POR CONTACTO:

En primer lugar, presione la palanca de empuje contra la madera y, a continuación, jale el gatillo para introducir el sujetador.

En primer lugar, jale el gatillo y, seguidamente, presione la palanca de empuje contra la madera para que se introduzca el sujetador.

Si mantiene el gatillo apretado, se introducirá un clavo cada vez que se presiona la palanca de empuje contra la madera.

## SEGURIDAD

### INSTRUCCIONES IMPORTANTES DE SEGURIDAD PARA LA UTILIZACIÓN DEL CLAVADOR

#### INSTRUCCIONES PARA EVITAR UN RIESGO DE INCENDIO, UNA DESCARGA ELÉCTRICA O LESIONES

- **General**

Para reducir el riesgo de descarga eléctrica, incendio o lesiones, **LEA TODAS LAS INSTRUCCIONES ANTES DE UTILIZAR LA HERRAMIENTA.**

#### ⚠ PELIGRO

- 1. LOS OPERADORES Y DEMÁS PERSONAS QUE SE ENCUENTREN EN EL ÁREA DE TRABAJO DEBEN USAR PROTECCIÓN PARA LOS OJOS (GAFAS DE SEGURIDAD CON BLINDAJES LATERALES).**



Antes de utilizar el clavador, utilice siempre gafas protectoras con blindajes laterales, y asegúrese de que también sea utilizada por todas las personas que se encuentren en el área de trabajo.

Las gafas protectoras deberán estar de acuerdo con los requisitos del Instituto de Normas Nacionales Americanas, ANSI Z87.1 y proporcionar protección contra las partículas despididas desde la parte frontal y posterior.

Las gafas ordinarias no brindan una protección adecuada.

El empresario deberá hacer que el operador del clavador y demás personas que se encuentren en el área de trabajo utilicen en todo momento gafas protectoras.

- 2. NO UTILICE GASES REACTIVOS NI OTROS GASES EMBOTELLADOS. PODRÍA PRODUCIRSE UNA EXPLOSIÓN.**



No utilice nunca gases reactivos, como oxígeno, gases combustibles, etc. como fuente de propulsión de este clavador.

La utilización de estos gases, o de otros gases embotellados, es peligrosa, ya que el clavador podría explotar.

Utilice solamente aire comprimido limpio, seco, y regulado.

#### ⚠ ADVERTENCIA

- 3. NO DIRIJA NUNCA LA HERRAMIENTA HACIA SÍ MISMO O HACIA OTRAS PERSONAS DEL ÁREA DE TRABAJO.**



Piense siempre que el clavador puede tener clavos cargados.

No dirija nunca el clavador hacia sí mismo o hacia otras personas, independiente de que contenga o no clavos.

Si utilizase los clavos incorrectamente, podrían producirse lesiones serias.

No juegue nunca con el clavador.

Trate el clavador como herramienta de trabajo.

- 4. NO COLOQUE EL DEDO EN EL GATILLO Y MANTENGA LOS DEDOS ALEJADOS DEL GATILLO CUANDO NO CLAVE CLAVOS PARA EVITAR UNA DESCARGA ACCIDENTAL.**

No transporte nunca el clavador con el dedo en el gatillo, porque podría lanzar un clavo y lesionarse usted mismo o a otra persona.

Transporte siempre el clavador por la empuñadura solamente.

- 5. CONOZCA Y COMPRENDA EL SISTEMA DE CLAVADOR QUE ESTÁ UTILIZANDO.**

Lea y comprenda la sección titulada "MÉTODOS DE OPERACIÓN". (páginas 55 – 56)

- 6. NO REALICE NINGÚN CONTACTO CON EL EXTREMO DE SEGURIDAD (PALANCA DE EMPUJE) CUANDO NO CLAVE.**

## SEGURIDAD — Continuación

### ⚠️ ADVERTENCIA

Cuando utilice herramientas, deberán tomarse siempre precauciones básicas, incluidas las siguientes:

#### 1. Zona de trabajo

- (1) **Mantenga la zona de trabajo limpia y bien iluminada.**

Los bancos llenos de cosas y las zonas oscuras aumentan el riesgo de descarga eléctrica, incendio y lesiones.

- (2) **No utilice el clavador en atmósferas explosivas, como por ejemplo en presencia de líquidos inflamables, gases inflamables o polvo combustible.**

El clavador puede crear chispas que podrían incendiar el polvo o los gases.

- (3) **Mantenga a los viandantes, los niños y los visitantes alejados mientras utiliza el clavador.** Las distracciones podrían causar la pérdida de control del clavador.

#### 2. Seguridad personal

- (1) **Permanezca alerta. Céntrese en su trabajo y utilice el sentido común cuando trabaje con el clavador. No utilice el clavador cuando esté cansado, después de haber consumido drogas o alcohol, o mientras esté bajo la influencia de medicamentos.**

Un momento de despiste cuando se utiliza el clavador aumenta el riesgo de lesiones.

- (2) **Utilice ropa adecuada. No utilice ropa suelta o joyas. Recójase el pelo. Mantenga el pelo, la ropa y los guantes alejados de las partes móviles.**

La ropa suelta, las joyas o el pelo largo aumentan el riesgo de lesiones, ya que podrían pillarse con las partes móviles.

- (3) **Evite una puesta en marcha involuntaria. Asegúrese de que el interruptor está apagado antes de conectar el aparato al suministro de aire.** No transporte el clavador con el dedo colocado en el interruptor o lo conecte al suministro de aire con el interruptor encendido.

- (4) **⚠️ ADVERTENCIA** – Desconecte el clavador del suministro de aire antes de realizar ajustes, realizar el mantenimiento del clavador, eliminar atascos, tocar la palanca de empuje, cuando no lo esté usando, al salir del área de trabajo, al dejar el clavador fuera de la supervisión o el control del operador, al cargar

o descargar el clavador, al entregárselo a otra persona, al elevar, bajar o mover en cualquier otra forma el clavador a una nueva ubicación.

No trate de desatascar o reparar el clavador salvo que haya desconectado el conducto de aire del clavador y retirado todos los clavos que queden en el mismo.

El clavador no deberá dejarse nunca desatendido, ya que podría ser utilizado por personas no familiarizadas con el mismo, pudiéndose lesionar. Dichas medidas de precaución reducen el riesgo de lesiones.

- (5) **No estire el cuerpo. Mantenga los pies bien colocados y el equilibrio en todo momento.** El mantener los pies bien colocados y el equilibrio permite un mayor control del clavador en situaciones inesperadas.

- (6) **Utilice equipo de seguridad.** Deberán utilizarse una máscara para el polvo, zapatos de seguridad anti-deslizamiento y un casco para las condiciones aplicables.

- (7) **⚠️ ADVERTENCIA** – Riesgo de pérdida auditiva. Lleve protección auditiva.

La protección auditiva deberá tener una Calificación de reducción de ruido (NRR) determinada de acuerdo con las reglas de la Agencia de Protección Medioambiental de los Estados Unidos que sea adecuada para la exposición al ruido.

- (8) **Utilice siempre protección para la cabeza. Utilice siempre protección para la cabeza para protegerse de objetos que salgan despedidos.**

- (9) **No coloque la manguera o el clavador en su cuerpo.**

Coloque la manguera en la estructura para reducir el riesgo de pérdida de equilibrio en caso de que la manguera se mueva.

- (10) **⚠️ ADVERTENCIA** – Clave clavos solo en una superficie de trabajo adecuada. No clave los clavos en otros clavos. Esto podría hacer que los clavos se desvíen y golpeen a alguna persona, o hagan que el clavador reaccione y provoque lesiones.

## SEGURIDAD — Continuación

### ⚠ ADVERTENCIA

#### 3. Uso y cuidado del clavador

- (1) **Utilice agarraderas u otra forma práctica de fijación y apoye la pieza de trabajo sobre una plataforma estable.**

Sujetar el trabajo con las manos o contra el cuerpo es inestable y podría causar una pérdida de control.

- (2) **No fuerce el clavador.** Utilice el clavador correcto para la aplicación. El clavador correcto hará el trabajo mejor y de forma más segura a la velocidad a la que el clavador está diseñado.

- (3) **No utilice el clavador si el interruptor no enciende o apaga el clavador.** Los clavadores que no pueden controlarse con el interruptor son peligrosos y deberán repararse.

**No utilice clavadores defectuosos o que funcionen de forma anormal.** Si el clavador funciona de forma anormal, hace ruidos extraños o parece estar defectuoso, deje de utilizarlo inmediatamente y llévelo a un centro de servicio autorizado de metabo HPT para su reparación.

- (4) **Desconecte el clavador de la fuente de aire antes de realizar cualquier ajuste, cambiar accesorios o guardar el clavador.** Dichas medidas de seguridad preventivas reducen el riesgo de que el clavador se ponga en marcha involuntariamente.

- (5) **Guarde el clavador fuera del alcance de los niños y de las personas no capacitadas para su uso cuando no se utilice.** Los clavadores son peligrosos en manos de usuarios no capacitados.

- (6) **Mantenga el clavador con cuidado.** Mantenga el clavador limpio y lubricado para un funcionamiento mejor y más seguro.

- (7) **Verifique el fallo de alineación o de unión de las partes móviles, la rotura de las partes y otras condiciones que puedan afectar a la operación del clavador.**

Si el clavador está dañado, llévelo a reparar antes de utilizarlo. Debido a la alta presión de aire en el clavador, las grietas en la superficie son peligrosas. Para evitarlo, no deje que se caiga el clavador ni lo golpee contra superficies duras, y no arañe o haga grabaciones en el mismo. Muchos accidentes se producen por un mantenimiento incorrecto de los clavadores. Existe riesgo de explosión si el clavador está dañado.

- (8) **No utilice el clavador si no está en orden de operación adecuado.** Etiquetas y divisiones físicas deberán ser usadas para el control.

- (9) **Utilice solo accesorios identificados por metabo HPT para el clavador específico.** El uso de accesorios con el clavador no previstos aumenta el riesgo de lesiones.

- (10) **Utilice solo los clavos indicados en la sección Accesorios de este manual.** Los clavos que metabo HPT no identifique para su utilización con este clavador podrían producir un riesgo de lesiones o podrían dañar el clavador cuando se utilicen en el mismo.

#### 4. Mantenimiento

- (1) **El mantenimiento de la herramienta deberá ser realizado sólo por personal de reparación cualificado.**

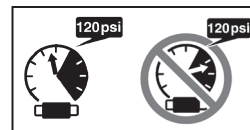
- (2) **Cuando realice el mantenimiento de un clavador, utilice sólo piezas de repuesto idénticas. Utilice solo piezas autorizadas.**

- (3) **Utilice solo los lubricantes suministrados con el clavador o especificados por metabo HPT.**

#### 5. Fuente de aire

- (1) **No realice la conexión nunca a una fuente de aire que pueda superar 200 psi (13.7 bar 14 kgf/cm<sup>2</sup>) si un regulador falla.**

El exceso de presión en el clavador podría provocar una explosión, un funcionamiento anormal, una rotura del clavador o lesiones graves.



#### **NO SUPERE 120 psi (8.3 bar 8.5 kgf/cm<sup>2</sup>).**

Utilice solo aire comprimido limpio, seco y regulado a la presión nominal o dentro del rango de presión nominal tal como se indique en el clavador.

Antes de utilizar el clavador, compruebe siempre que la fuente de aire se ha ajustado a la presión de aire nominal o dentro del rango aire-presión nominal.

- (2) **No utilice nunca gases reactivos, como oxígeno, dióxido de carbono, gases combustibles o botellas de gas como fuente de aire para el clavador.** Dichos gases podrían explotar y producir lesiones graves.

## SEGURIDAD — Continuación

### ⚠ ADVERTENCIA

#### 6. Otros

**(1) Tenga cuidado del doble fuego y de ser golpeado por el clavador debido al retroceso.**

Luego de clavar un clavo, el clavador podría retroceder causando que se aleje de la superficie de trabajo.

Para reducir el riesgo de lesión, controle el retroceso:

- 1) Manteniendo siempre el control del clavador.
- 2) Permitiendo que el retroceso aleje el clavador de la superficie de trabajo.
- 3) No resistiéndose al retroceso de forma que el clavador se fuerce de nuevo hacia la superficie de trabajo. En "MECANISMO DE ACCIONAMIENTO DEL CONTACTO", si se permite que la palanca de empuje vuelva a contactar con la superficie de trabajo antes de soltar el gatillo, ocurrirá una descarga no deseada de un clavo. Para evitar este doble fuego no deseado,
  - Operación intermitente (Disparo de gatillo)
    - ① Jale el gatillo rápida y firmemente.
    - ② Suelte el gatillo RÁPIDAMENTE.
  - Funcionamiento continuo (Presione el disparo de palanca)
    - ① No presione el clavador contra la madera con una fuerza excesiva.
    - ② Retire el clavador de la madera después de efectuar el clavado.
- 4) Manteniendo la cara y las partes del cuerpo alejadas del clavador.

**(2) No utilice nunca un acoplador sin descarga con el clavador.** Si utiliza un acoplador sin descarga en el clavador, éste podría permanecer cargado con aire después de haberlo desconectado y, por lo tanto, disparar un clavo incluso después de haberlo desconectado. El clavador y la manguera de aire deben contar con un acople de manguera, de manera que se pueda remover toda la presión del clavador al desconectar la junta de acoplamiento.

**(3) Compruebe la palanca de empuje antes de la utilización.** Cerciérese de que la palanca de empuje funciona adecuadamente y de que no está inutilizada, desconectada o modificada. (La palanca de empuje puede denominarse "Seguridad"). No utilice nunca el clavador a menos que la palanca de empuje funcione adecuadamente, ya que de lo contrario el clavador podría disparar inesperadamente un clavo. No

cambia ni quite la palanca de empuje, ya que de lo contrario la palanca de empuje se volverá inoperable.

**(4) Mantenga todos los tornillos y cubiertas bien apretados en su lugar.** Mantenga todos los tornillos y cubiertas firmemente apretados. Compruebe periódicamente su condición.

No utilice nunca el clavador si hay piezas perdidas o dañadas.

**(5) No cargue clavos con el gatillo o la palanca de empuje presionada.** Cuando cargue clavos en el clavador, o cuando conecte la manguera de aire,

- 1) no apriete el gatillo;
- 2) no presione la palanca de empuje; y
- 3) mantenga el clavador apuntado hacia abajo.

**(6) Mantenga las manos y el cuerpo alejados del cabezal de disparo durante su uso.** No coloque las manos ni los pies a menos de 6 pulgadas (200 mm) de la cabeza de salida de clavos. Si la pieza de trabajo desvía los clavos o si éstos salen del punto de introducción puede sufrir lesiones serias.

**(7) Cuando trabaje cerca del borde de una pieza de trabajo o en ángulos muy agudos, o al clavar clavos en una pieza de trabajo fina, tenga cuidado para minimizar la aparición de virutas, astillas y divisiones, o el vuelo libre, el rebote o la perforación de los clavos, ya que podrían causar lesiones.**

**(8) No clave nunca clavos desde ambos lados de una pared al mismo tiempo.** Los clavos podrían traspasar el panel y lesionar a la persona que se encuentra en el lado opuesto.

**(9) Tenga cuidado adicional cuando clave clavos con el clavador en paredes existentes y otras áreas ciegas, para evitar el contacto con objetos (p. ej. cables, tuberías, etc.) o personas ocultas que se encuentren en el otro lado.**

**(10) Compruebe si hay cables activos.** Evite el riesgo de descargas eléctricas comprobando si hay cables activos escondidos en paredes, suelos o techos. Abra el disyuntor para asegurarse de que no quedan cables activos.

**(11) No levante, tire del clavador ni lo baje jalando de la manguera.**

**(12) No desconecte la manguera de aire del clavador con el dedo puesto en el gatillo.** El clavador podría disparar un clavo cuando reconectase el suministro de aire.

## SEGURIDAD — Continuación

### ADVERTENCIA

- (13) MANEJE CORRECTAMENTE EL CLAVADOR.** Maneje el clavador de acuerdo con las instrucciones de este manual. No permita que el clavador sea utilizado por niños, personal no autorizado o personas que no estén familiarizadas con su funcionamiento.
- (14) No utilice nunca el clavador para aplicaciones que no sean las especificadas en este manual.**
- (15) No modifique ni altere nunca el clavador.** Si lo hiciera podría funcionar mal y provocar lesiones.
- (16) Cierre la guía de los clavos y no la abra durante la operación.** Si clavase clavos con la guía de la misma abierta, éstos podrían desviarse de la pieza de trabajo.

### RESPONSABILIDADES DEL EMPLEADOR, EL PROPIETARIO DE LA HERRAMIENTA Y EL OPERADOR DE LA HERRAMIENTA

1. Asegúrese de que este MANUAL esté al alcance de los operadores y del personal de mantenimiento.
2. Capacite al operador en el uso seguro del clavador, como se describe en este MANUAL.
3. Asegúrese de que solo las personas que hayan leído y comprenden este MANUAL utilizan el clavador.
4. Asegúrese de que los clavadores son usados únicamente cuando los operadores y otras personas que se encuentran en el área de trabajo llevan PROTECCIÓN OCULAR y otro equipo de protección personal apropiado, como PROTECCIÓN DE CABEZA, OÍDOS Y PIES.
5. Recalque que el operador y las demás personas que se encuentren en el área de trabajo necesitan utilizar GAFAS PROTECTORAS PARA LOS OJOS.
6. Asegúrese de que los clavos son conservados en estado de operación seguro según se describe en este MANUAL.
7. Mantenga adecuadamente el clavador.
8. Asegúrese de que solo el personal cualificado repara el clavador.
9. Asegúrese de que los clavadores que requieren reparación se remueven del servicio, y de que son utilizadas etiquetas y división física como método de control.

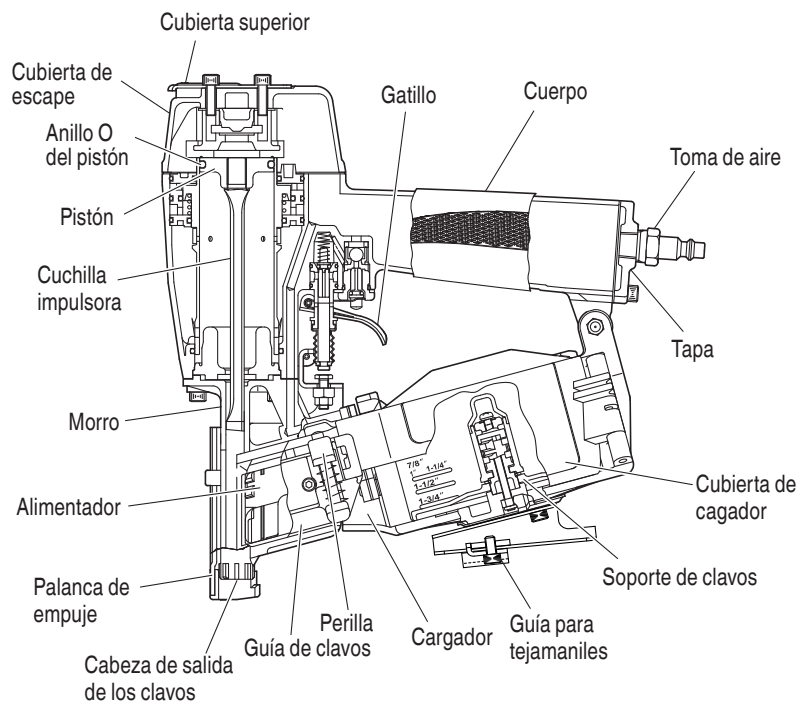
**¡GUARDE ESTE MANUAL  
AL ALCANCE DE CUALQUIERA!**

## OPERACIÓN

**NOTA:** La información contenida en este manual ha sido diseñada para ayudarle a utilizar con seguridad este clavador.

Algunas de las ilustraciones de este manual pueden mostrar detalles o accesorios diferentes a los de su propio clavador.

## NOMENCLATURA





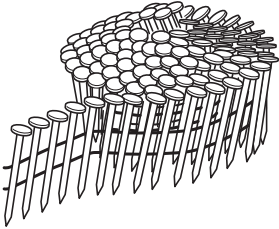
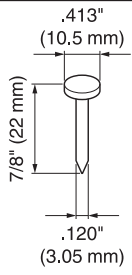

**ESPECIFICACIONES**

|                                            |                                                                                                                           |
|--------------------------------------------|---------------------------------------------------------------------------------------------------------------------------|
| Presión de operación                       | 70 – 120 psi (4.9 – 8.3 barías, 5 – 8.5 kgf/cm <sup>2</sup> )                                                             |
| Dimensiones<br>Longitud x Altura x Anchura | 9-27/32" x 10-3/8" x 4-5/8"<br>(250 mm x 264 mm x 117 mm)                                                                 |
| Peso                                       | 5.7 libras (2.6 kg)                                                                                                       |
| Capacidad de clavos                        | 120 clavos (1 ristra)                                                                                                     |
| Consumo de aire                            | .046 pies <sup>3</sup> /ciclo a 100 psi<br>(1.3 litros/ciclo a 6.9 barías)<br>(1.3 litros/ciclo a 7 kgf/cm <sup>2</sup> ) |
| Entrada de aire                            | Rosca 3/8 NPT                                                                                                             |

**SELECCIÓN DE CLAVOS****⚠ ADVERTENCIA**

- Asegúrese de usar únicamente puntas legítimas metabo HPT para el NV45AB2. El uso de otras puntas puede producir un fallo de funcionamiento de la herramienta y/o la rotura de la punta, lo provocaría a su vez lesiones de gravedad.

Con este clavador solamente podrán utilizarse los clavos indicados en la tabla siguiente.

| Clavos en ristra unidas con alambre                                                 | Mín.                                                                                | Máx.                                                                                  |
|-------------------------------------------------------------------------------------|-------------------------------------------------------------------------------------|---------------------------------------------------------------------------------------|
|  |  |  |

**ACCESORIOS****⚠ ADVERTENCIA**

- Los accesorios que no sean los mostrados a continuación pueden provocar el mal funcionamiento del clavador y resultar en lesiones.

**ACCESORIOS ESTÁNDAR**

- ① Gafas protectoras para los ojos ..... 1

### ACCESORIOS OPCIONALES

- ... vendido aparte
- Kit del mecanismo de disparo secuencial (Núm. de código 878226)
  - Lubricante para herramientas neumáticas  
Aceitador de .1 onzas. (30 cc)  
(Núm. de código 877153)
  - Aceitador de 4 onzas. (120 cc)  
(Núm. de código 874042)
  - Lata de 1 cuarto de galón (1 litro)  
(Núm. de código 876212)

**NOTA:** Los accesorios están sujetos a cambio sin ninguna obligación por parte de metabo HPT.

### APLICACIONES

- Instalación de tejamaniles para tejados de asfalto en construcción de edificios.
- Instalación de placas aislantes en construcción de edificios.

### ANTES DE LA OPERACIÓN

Lea la sección titulada “SEGURIDAD” (páginas 43 – 47).

Antes de la utilización, cerciórese de lo siguiente.

#### ENTORNO DE TRABAJO

#### ⚠ ADVERTENCIA

- En el lugar de trabajo no deberá haber gases, líquidos, ni demás objetos inflamables.
- No permita que en el área de trabajo haya niños ni demás personas no autorizadas.

#### SUMINISTRO DE AIRE

#### ⚠ PELIGRO



- No utilice gases reactivos ni otros gases embotellados. Podría producirse una explosión.

#### ⚠ ADVERTENCIA

- No conecte nunca el clavador a una presión que pueda sobrepasar potencialmente 200 psi (13.7 bares 14 kgf/cm<sup>2</sup>) si un regulador falla.
- No utilice nunca un acoplador sin descarga con el clavador.

1. Fuente de propulsión
  - Utilice solamente aire comprimido limpio, seco, y regulado como fuente de propulsión para este clavador.
  - Los compresores de aire para suministrar aire comprimido a este clavador deberán cumplir los requisitos de la última versión de la norma B 19.3 ANSI “Normas de Seguridad para Compresores para Industrias de Procesos”.
  - La humedad o el aceite en el compresor de aire puede acelerar el desgaste y la corrosión del clavador.  
Drénelo diariamente.

2. Filtro-Regulador-Lubricador
  - Utilice un regulador con una presión de 0 – 120 psi (0 – 8.3 barías 0 – 8.5 kgf/cm<sup>2</sup>).
  - Las unidades de filtro-regulador-lubricador ofrecen la condición óptima para el clavador y prolongan su duración útil.

Estas unidades deberán utilizarse siempre.  
Filtro .....El filtro elimina la humedad y la suciedad del aire comprimido.

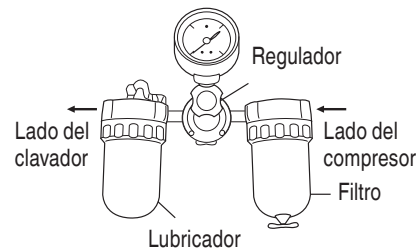
Drene diariamente el clavador a menos que tenga instalado un dispositivo de drenado automático.

Mantenga limpio el filtro realizando regularmente su mantenimiento.

Regulador.....El regulador controla la presión de operación para poder utilizar con seguridad el clavador.

Inspeccione el regulador antes de la operación a fin de asegurarse de que funcione adecuadamente.

Lubricador...El lubricador rocía aceite al clavador.  
Inspeccione el lubricador antes de utilizarlo para comprobar si el suministro de lubricante es adecuado.  
Utilice lubricante para herramientas neumáticas metabo HPT.



3. Manguera de aire  
Las mangueras de suministro de aire comprimido deben tener una presión operativa mínima igual o mayor que la presión procedente de la fuente de potencia si un regulador falla, o 150 psi (10.4 bares 10.6 kgf/cm<sup>2</sup>), el valor que sea mayor.
4. Consumo de aire  
Utilizando la tabla de consumo de aire y la fórmula de tamaño del compresor de aire, busque el tamaño de compresor correcto.

Tabla de consumo de aire

|                      |                                            |                      |                      |                     |
|----------------------|--------------------------------------------|----------------------|----------------------|---------------------|
| Presión de operación | psi<br>(barias)<br>(kgf/cm <sup>2</sup> )  | 80<br>(5.5)<br>(5.6) | 90<br>(6.2)<br>(6.3) | 100<br>(6.9)<br>(7) |
| Consumo de aire      | pies <sup>3</sup> /ciclo<br>(litros/ciclo) | .033<br>(.93)        | .039<br>(1.1)        | .046<br>(1.3)       |

Fórmula de tamaño del compresor

Cantidad de aire requerida  
= número de clavadores  
× promedio de clavos clavados cada minuto por  
clavador  
× consumo de aire a la presión dada  
× factor de seguridad (siempre 1.2)

Ejemplo: 2 clavadores funcionando a 100 psi para  
clavar 30 clavos por minuto

Cantidad de aire requerida  
= 2 × 30 × .046 (1.3) × 1.2  
= 3.3 CFM ((pies<sup>3</sup>/min) (94 litros/min)

Después de haber realizado los cálculos indicados  
arriba, tendrá que buscar un compresor que  
proporcione 3.3 CFM de aire, que es el valor requerido.

### LUBRICACIÓN

Es muy importante que el clavador esté adecuadamente lubricado.

Sin la lubricación apropiada, el clavador no trabajará correctamente y las piezas se desgastarán prematuramente.

- Utilice lubricante para herramientas neumáticas metabo HPT.  
No utilice aceite detergente ni aditivos. Estos lubricantes dañarían las juntas tóricas y demás piezas de caucho. Esto haría que el clavador funcionase mal.
- Habrá que utilizar siempre unidades de filtro-regulador-lubricador.  
Mantenga el lubricador lleno con lubricante para herramientas neumáticas metabo HPT.
- Si no dispone de lubricador, aplique 5 – 10 gotas de lubricante para herramientas neumáticas metabo HPT a la entrada de aire del clavador dos veces al día.

### CUIDADOS PARA CLIMAS FRÍOS

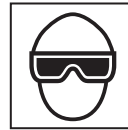
- No guarde el clavador en lugares fríos.  
Déjelo en un lugar cálido antes de comenzar a trabajar.
- Si el clavador está frío, póngalo en un lugar cálido y deje que se caliente antes de utilizarlo.
  - ① Reduzca la presión de aire a 64 psi (4.4 barias 4.5 kgf/cm<sup>2</sup>).
  - ② Quite todos los clavos del clavador.
  - ③ Conecte la manguera de aire y dispare (disparo en vacío) el clavador.  
La reducción de la presión de aire será suficiente para disparar en vacío el clavador.  
La operación a baja velocidad tiende a calentar las partes móviles.

### ⚠ PRECAUCIÓN

- No dispare en vacío el clavador a alta presión.

### PRUEBA DEL CLAVADOR

#### ⚠ PELIGRO



- Los operadores y demás personas que se encuentren en el área de trabajo DEBEN usar gafas protectoras con blindajes laterales que cumplan con las especificaciones ANSI Z87.1. Las gafas ordinarias no brindan una protección adecuada.

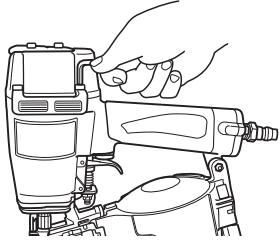
#### ⚠ ADVERTENCIA

- No utilice nunca el clavador a menos que la palanca de empuje funcione adecuadamente.

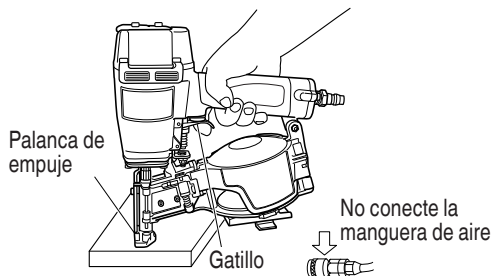
Antes de comenzar el trabajo, pruebe el clavador utilizando la lista de comprobaciones siguiente. Realice las comprobaciones en el orden indicado.

Si se produce alguna operación anormal, deje de utilizar el clavador y póngase inmediatamente en contacto con un centro de reparaciones autorizado por metabo HPT.

- (1) DESCONECTE LA MANGUERA DE AIRE DEL CLAVADOR.  
QUITE TODOS LOS CLAVOS DEL CLAVADOR.
  - TODOS LOS TORNILLOS DEBERÁN ESTAR APRETADOS.  
Si hay algún tornillo flojo, apriételo.



- LA PALANCA DE EMPUJE DEBERÁ PODER ACCIONARSE SIN DIFICULTAD.

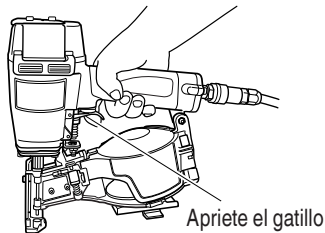


- (2) Ajuste la presión del aire a 70 psi (4.9 barías 5 kgf/cm<sup>2</sup>).  
Conecte la manguera de aire.  
No cargue clavos en el clavador.

- EL CLAVADOR NO DEBERÁ TENER FUGAS DE AIRE.

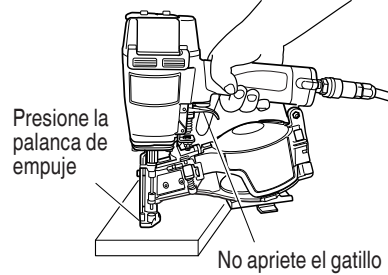
Sujete el clavador hacia abajo y apriete el gatillo.

- EL CLAVADOR NO DEBERÁ FUNCIONAR.



- (3) Retire el dedo del disparador y presione la palanca de empuje contra la madera.

- EL CLAVADOR NO DEBERÁ FUNCIONAR.



- (4) Sin tocar el gatillo, presione la palanca de empuje contra la pieza de trabajo.  
Apriete el gatillo.

- EL CLAVADOR DEBERÁ FUNCIONAR.

- (5) Con el clavador fuera de la pieza de trabajo, usted podrá cargar clavos en el mismo.  
Inserte clavos en la pieza de trabajo adecuados a la aplicación.

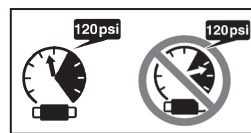
- EL CLAVADOR DEBERÁ FUNCIONAR.

- (6) Si no observa nada anormal, cargue clavos en el clavador.  
Clave en la pieza de trabajo los mismos clavos que vaya a utilizar en la aplicación real.

- EL MARTILLO AUTOMÁTICO DEBERÁ FUNCIONAR ADECUADAMENTE.

#### AJUSTE DE LA PRESIÓN DE AIRE

##### ⚠ ADVERTENCIA



- No sobrepase 120 psi (8.3 barías 8.5 kgf/cm<sup>2</sup>).

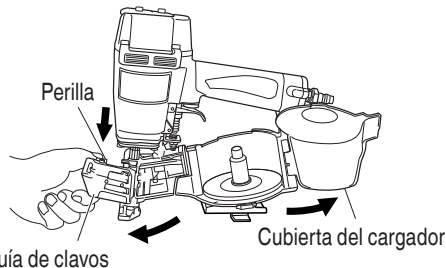
Ajuste la presión del aire al valor recomendado, 70 – 120 psi (4.9 – 8.3 barías 5 – 8.5 kgf/cm<sup>2</sup>) de acuerdo con la longitud de los clavos y la dureza de la pieza de trabajo. La presión de aire correcta es la más baja con la que pueda realizarse el trabajo. La utilización del clavador con una presión de aire más alta de la requerida lo forzará innecesariamente.

## CARGA DE CLAVOS

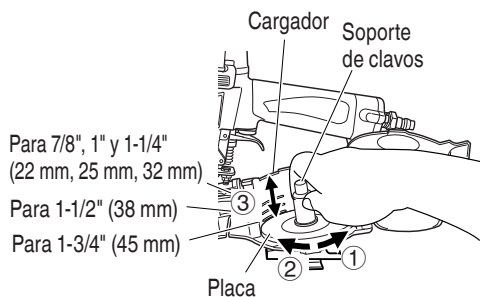
**⚠ ADVERTENCIA**

- Cuando cargue los clavos en el clavador,
  - 1) no apriete el gatillo,
  - 2) no apriete la palanca de empuje, y
  - 3) mantenga el clavador apuntando hacia abajo.

- (1) Sujete la guía de clavos y la perilla con los dedos. Presione la perilla hacia abajo y abra la guía de clavos. Luego abra la cubierta del cargador.



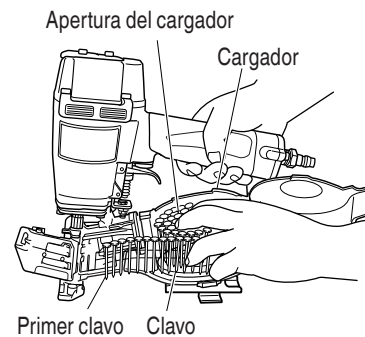
- (2) Ajuste la posición del soporte de clavos de acuerdo con la longitud de los mismos. Los clavos no se alimentarán uniformemente si el soporte de los mismos no está correctamente ajustado.
  - ① Gire el soporte de clavos unos 90 grados hacia la izquierda.
  - ② Mueva el soporte de clavos hacia arriba y hacia abajo hasta alinear la placa del mismo con la marca del cartucho, de acuerdo con la longitud de los clavos que vaya a utilizar.
  - ③ Gire el soporte de clavos 90 grados hacia la derecha hasta que oiga un "clic".



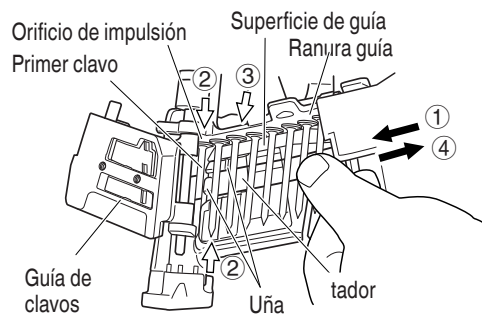
## NOTA:

Antes de cargar clavos en el cargador, ajuste el soporte de clavos. Si cerrase la cubierta del cargador a la fuerza sin haber ajustado correctamente el soporte de clavos, éste podría dañarse.

- (3) Coloque la bobina de clavos en la recámara. Inserte el primer clavo en la abertura del cargador.



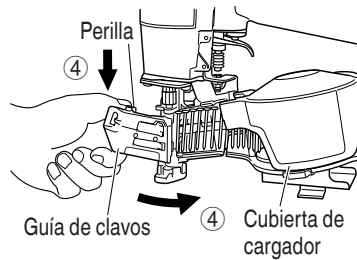
- (4) Cierre la cubierta del cargador.
- (5)
  - ① Desbobine suficientes clavos para llegar al orificio de impulsión.
  - ② Inserte el primer clavo en el orificio de impulsión y el segundo entre las dos uñas del alimentador.
  - ③ Fije las cabezas de los clavos en la ranura guía.



## NOTA:

Tenga cuidado de no deformar los alambres de unión de los clavos y de no desenganchar los clavos con la superficie guía. De lo contrario, la guía de clavos no se cerraría correctamente.

- ④ Empuje los clavos hacia la derecha. Después de comprobar que la cubierta del cargador se encuentra cerrada, enganche sus dedos en la guía de clavos y la perilla, gire la guía de clavos en el sentido de las agujas del reloj mientras aprieta la perilla hacia abajo, y luego cierre completamente la guía de clavos.



- (6) Bloquee completamente la perilla.

El clavador habrá quedado listo para funcionar.

## OPERACIÓN DEL CLAVADOR

Lea la sección titulada “SEGURIDAD” (páginas 43 – 47).

### ⚠ PELIGRO



- Los operadores y demás personas que se encuentren en el área de trabajo **DEBEN** usar gafas protectoras con blindajes laterales que cumplan con las especificaciones ANSI Z87.1. Las gafas ordinarias no brindan una protección adecuada.

### ⚠ ADVERTENCIA



- Solo las personas que hayan leído y comprenden este **MANUAL** pueden utilizar el clavador.
- No dirija **NUNCA** la herramienta hacia sí mismo o hacia otras personas del área de trabajo.
- Mantenga los dedos **ALEJADOS** del gatillo cuando no clave clavos, para evitar descargas accidentales.

- Conozca y comprenda el sistema de clavador que está utilizando.

Por favor lea y comprenda los “Métodos de operación” descritos más abajo.

- Nunca coloque las manos o el cuerpo a menos de 8 pulgadas (200 mm) del cabezal de disparo cuando lo use.
- No clave clavos en otros clavos, los clavos pueden rebotar y herir a alguien.
- No accione el clavador a menos que esté firmemente colocado contra la pieza de trabajo.
- Para evitar el doble disparo o la expulsión inesperado de un clavo debido al rebote del clavador,
  - 1) no empuje el clavador con demasiada fuerza contra la pieza de trabajo,
  - 2) separe el clavador de la pieza de trabajo utilizando el coletazo,
  - 3) suelte el gatillo rápidamente después del disparo.

- Cuando trabaje cerca del borde de una pieza de trabajo o en ángulos muy agudos, o al clavar clavos en una pieza de trabajo fina, tenga cuidado para minimizar la aparición de virutas, astillas y divisiones, o el vuelo libre, el rebote o la perforación de los clavos, ya que podrían causar lesiones.

- No clave nunca clavos desde ambos lados de una pared al mismo tiempo. Los clavos podrían traspasar la pared y lesionar a la persona de la otra parte.

- No utilice nunca un clavador defectuoso o que funcione anormalmente.

- No utilice el clavador a modo de martillo normal.

- Desconecte la manguera de aire del clavador cuando:

- 1) no vaya a utilizarlo;
- 2) vaya a abandonar el área de trabajo;
- 3) lo eleve, lo descienda o de otra manera vaya a trasladarlo a otro lugar;
- 4) vaya a entregárselo a otra persona;
- 5) realice mantenimientos o reparaciones;
- 6) desatasque el clavador;
- 7) el clavador está fuera de la supervisión o el control del operador;
- 8) remueve clavos del cartucho; y
- 9) ajuste la profundidad de clavamiento.

Este clavador metabo HPT posee un MECANISMO DE DISPARO POR CONTACTO ESTÁNDAR (Disparo con rebote). También existe un juego de MECANISMO DE DISPARO SECUENCIAL OPCIONAL (DISPARO ÚNICO), con número de pieza de pedido 878226.

**EL MECANISMO DE DISPARO POR CONTACTO ESTÁNDAR** (Disparo con rebote) es para utilizarse cuando se desee clavar rápidamente clavos y haya que seguir los "MÉTODOS DE OPERACIÓN".

**NOTA:**

Proceda con cuidado, dado que el último clavo puede caerse o introducirse en un ángulo irregular.

**MÉTODOS DE OPERACIÓN**

Este clavador está equipado con una palanca de empuje, y no funcionará a menos que ésta esté presionada (posición hacia arriba).

Existen dos métodos de operación para clavar clavos con este clavador.

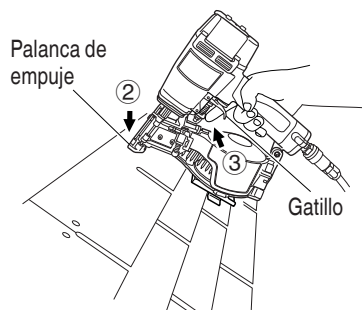
Estos métodos son:

1. Operación intermitente (Disparo con el gatillo):
2. Operación continua (Disparo con la palanca de empuje):

(1) Operación intermitente (Disparo con el gatillo)

- ① Coloque la salida de los clavos sobre la pieza de trabajo con el dedo fuera del gatillo.
- ② Presione a fondo la palanca de empuje.
- ③ Apriete el gatillo para clavar el clavo.
- ④ Separe el dedo del gatillo.

Para clavar otro clavo, mueva la clavadora a lo largo de la pieza, repitiendo los pasos del ① al ④, según sea necesario.

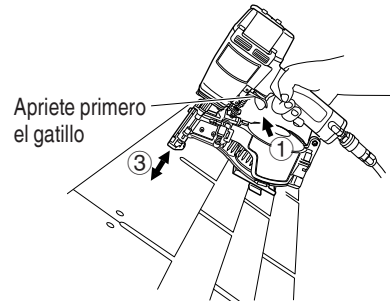


(2) Operación continua (Disparo con la palanca de empuje)

- ① Apriete el gatillo con el clavador fuera de la pieza de trabajo.
- ② Presione la palanca de empuje contra la pieza de trabajo para clavar un clavo.
- ③ Desplace el clavador por la pieza de trabajo con un movimiento de rebote.

Con cada presión de la palanca de empuje se clavará un clavo.

Después de haber clavado los clavos necesarios, separe el dedo del gatillo.



**⚠ ADVERTENCIA**

- Mantenga el dedo separado del gatillo excepto durante la operación, porque esto podría resultar en lesiones si la palanca de presión entrase en contacto con su cuerpo o con el de otras personas del área de trabajo.
- Mantenga las manos y el cuerpo alejados del área de descarga. Este clavador metabo HPT podría rebotar por la reculada producida al meter un sujetador, y producir la introducción no intencional del siguiente sujetador, con el riesgo de sufrir lesiones.
- Algunos tipos de clavos cargados pueden echar chispas a través de la boca durante la operación de clavado. ¡Tenga cuidado!

**EL MECANISMO DE DISPARO SECUENCIAL OPCIONAL** (PIEZAS DE DISPARO ÚNICO) es para clavar clavos con precisión y deberá utilizarse de acuerdo con el "Método de operación" siguiente.

Usted tendrá que presionar en primer lugar la palanca de empuje (posición superior) cuando desee clavar un clavo, y apriete el gatillo. Después de haber clavado cada clavo, suelte completamente el gatillo y levante el clavador de la superficie de trabajo. El MECANISMO DE DISPARO SECUENCIAL OPCIONAL puede reducir la posibilidad de lesiones tanto personales como de otras personas del área de trabajo. Esto se debe a que es menos probable que pueda clavar clavos si mantiene el disparador apretado y golpea accidentalmente la palanca de empuje contra su cuerpo o el de otras personas. El MECANISMO DE DISPARO SECUENCIAL OPCIONAL puede reducir también la velocidad de operación en comparación con el mecanismo de disparo por contacto estándar.



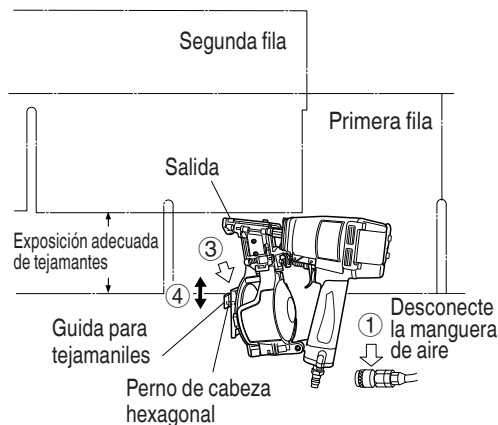
**NOTA:**

- Tanto el MECANISMO DE DISPARO POR CONTACTO ESTÁNDAR como el MECANISMO DE DISPARO SECUENCIAL OPCIONAL serán seguros si se utilizan como se ha descrito y de acuerdo con todas las advertencias e instrucciones.
- Manipule siempre los clavos y el paquete con cuidado. Si se caen clavos, el alambre que las intercala puede dañarse y cortarse, lo cual causará una alimentación errónea y atascos.
- Después de haber clavado los clavos:
  - 1) desconecte la manguera de aire del clavador,
  - 2) extraiga todos los clavos del clavador,
  - 3) aplique 5 - 10 gotas de lubricante para herramientas neumáticas metabo HPT a la entrada de aire del clavador, y
  - 4) abra la llave de escape del depósito del compresor de aire para drenar la humedad que pueda existir.

**EMPLEO DE LA GUÍA PARA TEJAMANILES**

La guía para tejamaniles puede utilizarse para controlar la separación de los tejamaniles. Ajuste la guía para tejamaniles en el orden siguiente.

- ① DESCONECTE LA MANGUERA DE AIRE DEL CLAVADOR.
- ② Afloje el perno de cabeza hexagonal con la llave hexagonal
- ③ Ponga la guía para tejamaniles contra la parte inferior de la primera fila de tejamaniles.
- ④ Ajuste la distancia entre la salida y la guía para tejamaniles a la exposición adecuada de tejamaniles deslizando la guía.
- ⑤ Apriete el perno de cabeza hexagonal.



**NOTA:**

- La exposición adecuada de tejamaniles dependerá del tipo de tejamaniles y de las especificaciones del fabricante.
- La guía para tejamaniles no deberá utilizarse como indicador de situación de clavos.

**AJUSTE DE LA PROFUNDIDAD DE CLAVADO**

**⚠ ADVERTENCIA**

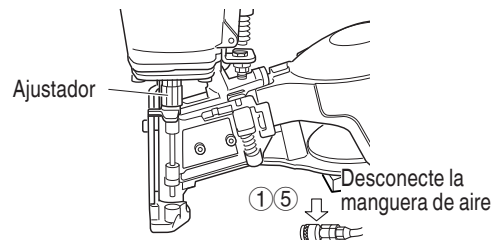
- **Antes de girar el ajustador, desconecte la manguera de aire del clavador.**

Para asegurar que cada clavo penetre con la misma profundidad, cerciórese de que:

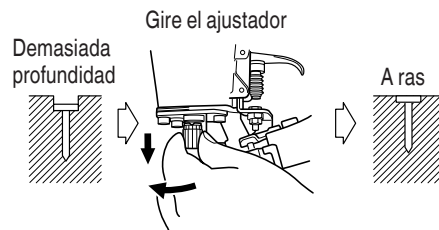
- 1) la presión de aire suministrada al clavador permanezca constante (regulador instalado y trabajando adecuadamente), y
- 2) esté sujetando firmemente el clavador contra la pieza de trabajo.

Si los clavos penetran demasiado o demasiado poco en la pieza de trabajo, realice el ajuste en el orden siguiente.

- ① DESCONECTE LA MANGUERA DE AIRE DEL CLAVADOR



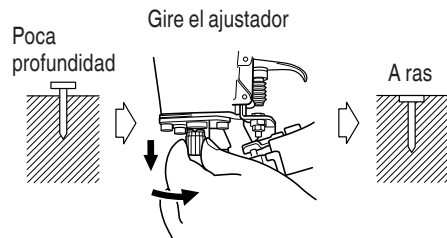
- ② Si los clavos penetran demasiado, gire el ajustador en el sentido contrario a las agujas del reloj mientras tira del mismo hacia abajo. Al soltarlo, el ajustador vuelve hacia arriba. Asimismo, gire el ajustador hasta llegar a una posición en que quede bloqueado.



Si los clavos se insertan demasiado poco, gire el ajustador en el sentido de las agujas del reloj mientras tira del mismo hacia abajo.



Al soltarlo, el ajustador vuelve hacia arriba.  
Asimismo, gire el ajustador hasta llegar a una posición en que quede bloqueado.



El ajustador puede fijarse cada 1/4 de rotación.  
El ajustador se mueve aproximadamente 0.25 mm por 1/4 de rotación.

- ③ Deje de girar el ajustador cuando alcance la posición apropiada realizando una prueba de clavado.
- ④ Conecte la manguera de aire.  
UTILICE SIEMPRE GAFAS PROTECTORAS PARA LOS OJOS.  
Realice una prueba de clavado.
- ⑤ DESCONECTE LA MANGUERA DE AIRE DEL CLAVADOR.
- ⑥ Elija la posición adecuada para el ajustador.

## MANTENIMIENTO

**NOTA:** La información contenida en este manual ha sido diseñada para ayudarle a mantener con seguridad este clavador.

Algunas ilustraciones de este manual pueden mostrar detalles o dispositivos diferentes a los de su propio clavador.

### MANTENIMIENTO E INSPECCIÓN

Lea la sección titulada "SEGURIDAD" (páginas 43 – 47).

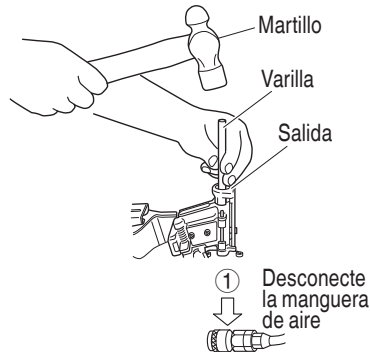
#### ⚠ ADVERTENCIA

- **Desconecte la manguera y extraiga todos los clavos del clavador antes de:**
  - 1) realizar trabajos de mantenimiento e inspección, y
  - 2) desatascar el clavador.
- **No emplee nunca gasolina ni otros líquidos muy inflamables para la limpieza.**

#### 1. Desatascado

Desatasque los clavos en el orden siguiente:

- ① **DESCONECTE LA MANGUERA DE AIRE.**
- ② Abra la guía de clavos.
- ③ Inserte una varilla en la salida.  
Golpee la varilla con un martillo.



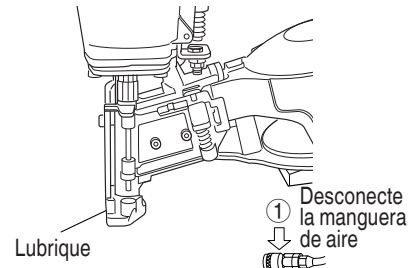
- ④ Quite el clavo atascado con un destornillador de clavos plana.



- ⑤ Corte el alambre de unión deformado con unos alicates.  
Corrija la deformación.
- ⑥ En caso de atasco frecuente, póngase en contacto con un centro de reparaciones autorizado por metabo HPT.

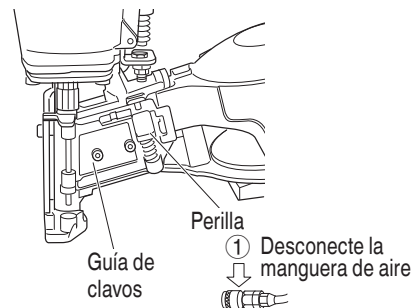
#### 2. Inspección de la palanca de empuje

- ① **DESCONECTE LA MANGUERA DE AIRE.**
- ② Limpie la parte deslizable de la palanca de empuje.  
Lubriquela con lubricante para herramientas neumáticas metabo HPT.



#### 3. Inspección de los alimentadores

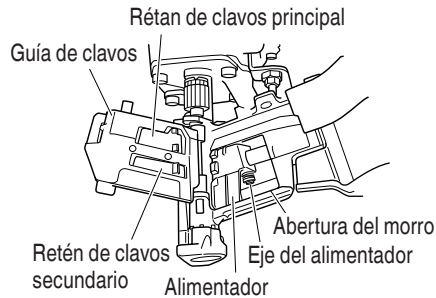
- ① **DESCONECTE LA MANGUERA DE AIRE.**
- ② Limpie la parte deslizable de la perilla.  
Lubriquela con lubricante para herramientas neumáticas metabo HPT.



- ③ Abra la guía de clavos y quite el polvo.  
Lubrique la abertura del morro y el eje del alimentador.

### ⚠ PRECAUCIÓN

- Compruebe que el retén de clavos principal y el retén de clavos secundario se deslicen con suavidad presionándolos con el dedo. Si no hay suavidad, los clavos se clavarán a ángulos irregulares y pueden herir a alguien.

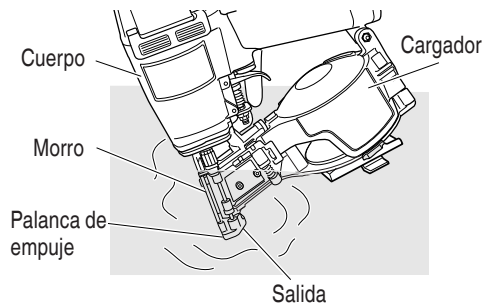


- ④ Lubrique las superficies del morro y de la guía de clavos después de la limpieza. Esto suavizará la operación e impedirá la oxidación.

4. Limpieza y extracción del alquitrán y de la suciedad  
El alquitrán y de la suciedad pueden acumularse en el morro y en la palanca de empuje. Todo esto puede impedir la operación correcta. Limpie y extraiga el alquitrán y de la suciedad con queroseno, aceite combustible No. 2 o combustible diesel.

NO EMPLEE NUNCA GASOLINA ni otros líquidos muy inflamables. El vapor de estos líquidos que quede en el interior del martillo podría encenderse por las chispas que se producen al clavar puntas, lo cual podría producir una explosión.

- ① Sumerja en solvente sólo la parte en torno a la salida.  
No sumerja el cargador ni el cuerpo.  
Las partes de plástico y la junta tórica podrían dañarse.



- ② Seque el clavador antes de utilizarlo. Cualquier residuo de aceite que quede después de la limpieza acelerará la acumulación de alquitrán, y el clavador necesitará la limpieza con mayor frecuencia.
- ③ Asegúrese de que la palanca de empuje funciona correctamente.

### ⚠ ADVERTENCIA

- No utilice nunca el clavador a menos que la palanca de empuje funcione correctamente.

### NOTA:

- Los solventes rociados en el morro para limpiar y liberar la palanca de empuje puede tener un efecto contrario. El solvente puede ablandar el alquitrán de los tajamaniles con mayor rapidez. Es mejor que funcione completamente seco.

5. Inspección del cargador

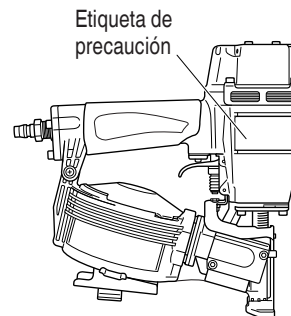
- ① DESCONECTE LA MANGUERA DE AIRE.
- ② Limpie el cargador. Quite el polvo o las virutas de madera que puedan haberse acumulado en el cargador.

6. Almacenamiento

- Cuando no vaya a utilizar el clavador durante mucho tiempo, aplique una capa fina de lubricante a las piezas de acero para evitar que se oxiden.
- No guarde el clavador en un lugar frío. Guarde el clavador en un lugar cálido.
- Cuando no vaya a utilizar el clavador, deberá guardarlo en un lugar cálido y fresco. Mantenga el clavador fuera del alcance de los niños.

7. ETIQUETA DE PRECAUCIÓN

No utilice el clavador si la ETIQUETA DE ADVERTENCIA falta o está dañada. Solicite la nueva ETIQUETA DE PRECAUCIÓN a un centro de reparaciones autorizado por metabo HPT.



8. Tabla de mantenimiento (Consulte la página 60.)
9. Solución de problemas por parte del operador (Consulte la página 61.)
10. Lista de repuestos

**⚠ PRECAUCIÓN**

- **La reparación, modificación e inspección de las herramientas eléctricas metabo HPT deben ser realizadas por un Centro de Servicio Autorizado de metabo HPT.**  
Esta lista de repuestos será de utilidad si es presentada junto con la herramienta al Centro de Servicio Autorizado de metabo HPT para solicitar la reparación o cualquier otro tipo de mantenimiento. En el manejo y el mantenimiento de las herramientas eléctricas, se deberán observar las normas y reglamentos vigentes en cada país.

**MODIFICACIONES**

metabo HPT Power Tools introduce constantemente mejoras y modificaciones para incorporar los últimos avances tecnológicos.  
Por consiguiente, algunas partes pueden ser modificadas sin previo aviso.

**SERVICIO Y REPARACIONES**

**⚠ ADVERTENCIA**

- **Este clavador solamente deberá repararlo personal entrenado por metabo HPT, un distribuidor, o el empresario.**
- **Para la reparación, utilice solamente las piezas suministradas o recomendadas por metabo HPT.**

Todos los clavadores de calidad requerirán el servicio de mantenimiento o de reemplazo de piezas debido al desgaste con la utilización normal.

**NOTA:** Las especificaciones están sujetas a cambio sin previo aviso sin ninguna obligación por parte de metabo HPT.

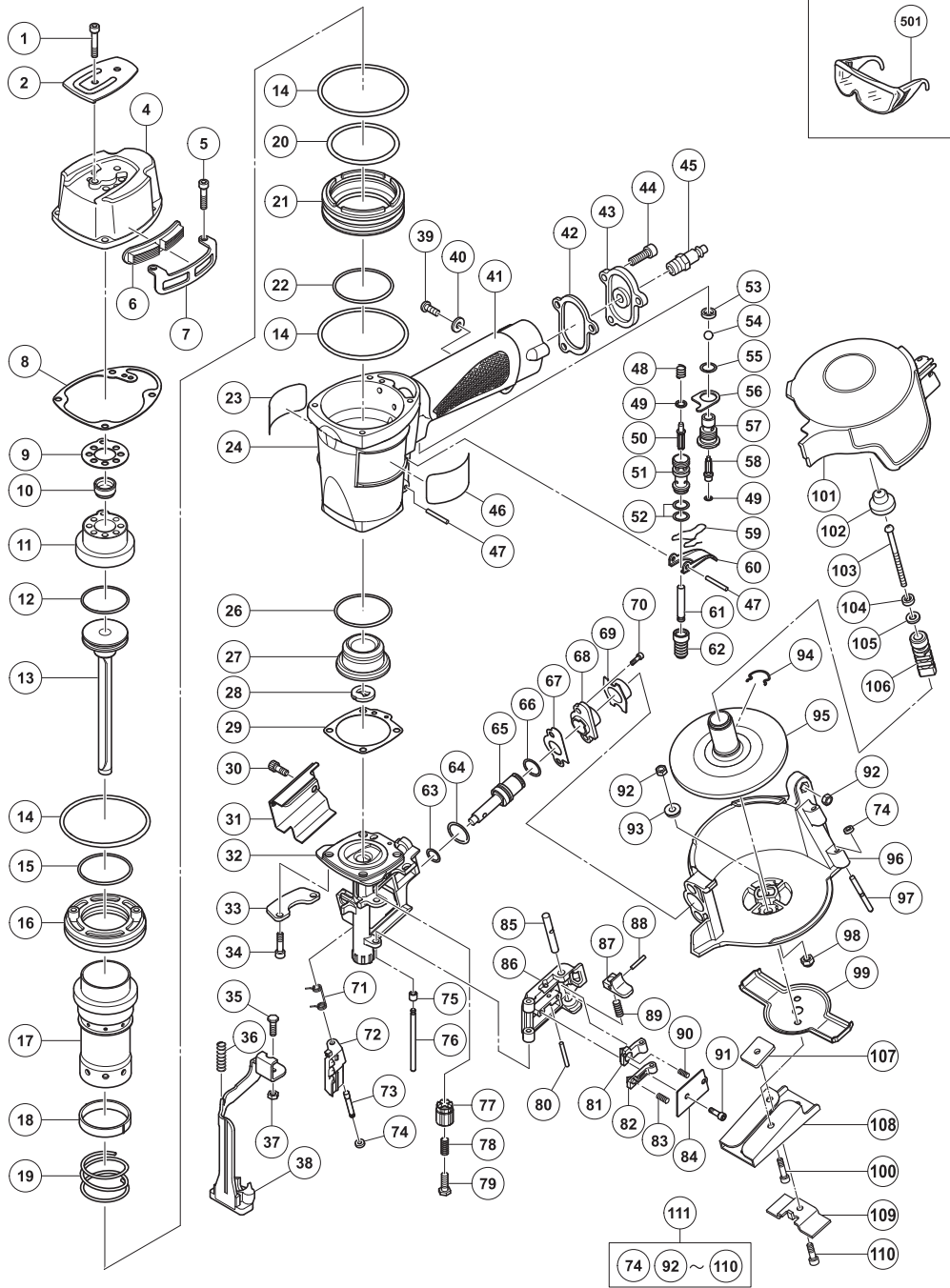
Tabla de mantenimiento

| ACCIÓN                                                                                                       | PARA                                                                     | CÓMO                                                            |
|--------------------------------------------------------------------------------------------------------------|--------------------------------------------------------------------------|-----------------------------------------------------------------|
| Drenaje diario del filtro de la línea de aire.                                                               | Evitar la acumulación de humedad y suciedad.                             | Abra la llave de escape manual.                                 |
| Mantenimiento del lubricador lleno.                                                                          | Mantener el clavador lubricado.                                          | Rellene con lubricante para herramientas neumáticas metabo HPT. |
| Limpie el elemento de filtrado y sople aire a través del filtro en dirección opuesta al flujo normal diario. | Evitar que el filtro se atasque con suciedad.                            | Siga las instrucciones del fabricante.                          |
| Limpieza del cargador y del mecanismo del alimentador.                                                       | Evitar atascos.                                                          | Sople diariamente.                                              |
| Mantenimiento de la palanca de empuje en perfectas condiciones.                                              | Garantizar la seguridad del operador y la operación eficaz del clavador. | Sople diariamente.                                              |
| Lubricación del clavador después de haberlo utilizado.                                                       | Prolongar la duración del clavador.                                      | Aplique 5 – 10 gotas de lubricante al clavador.                 |
| Drene el compresor de aire todos los días.                                                                   | Mantener el clavador en buenas condiciones de operación.                 | Abra la llave de escape.                                        |

## Solución de problemas por parte del operador

La mayoría de los problemas sin importancia podrán resolverse fácilmente utilizando la tabla siguiente.  
Si el problema persiste, póngase en contacto con un centro de reparaciones autorizado por metabo HPT.

| PROBLEMA                                                                 | MÉTODO DE COMPROBACIÓN                                                                  | SOLUCIÓN                                                                                                    |
|--------------------------------------------------------------------------|-----------------------------------------------------------------------------------------|-------------------------------------------------------------------------------------------------------------|
| El clavador funciona pero no clava clavos.                               | Abra la guía de clavos Compruebe si está atascado.                                      | Desatásquelo de acuerdo con la página 58.                                                                   |
|                                                                          | Compruebe el funcionamiento del alimentador de clavos de acuerdo con la página 58.      | Limpie y lubrique.                                                                                          |
|                                                                          | Compruebe si los clavos son los apropiados.                                             | Utilice solamente los clavos recomendados.                                                                  |
| Poca fuerza.<br>Reciclado lento.                                         | Compruebe la presión de aire.                                                           | Aumente la presión de aire.<br>(No sobrepase 120 psi<br>(8.3 barías, 8.5 kgf/cm <sup>2</sup> .)             |
|                                                                          | Compruebe la posición del ajustador según la página 56.                                 | Vuelva a efectuar el ajuste.                                                                                |
|                                                                          | —                                                                                       | Utilice lubricante para herramientas neumáticas metabo HPT.                                                 |
|                                                                          | ¿Está gastada la cuchilla impulsora?<br>¿Está gastado o dañado el anillo O del pistón?  | Solicite otra de reemplazo a metabo HPT.                                                                    |
| Los clavos penetran demasiado.                                           | Compruebe la presión de aire.                                                           | Reduzca la presión de aire.<br>(Ajustela a 70 – 120 psi<br>(4.9 – 8.3 barías 5 – 8.5 kgf/cm <sup>2</sup> )) |
|                                                                          | Compruebe la posición del ajustador según la página 56.                                 | Vuelva a efectuar el ajuste.                                                                                |
| Salto de clavos. Alimentación intermitente.                              | Compruebe si está utilizando los clavos apropiados.                                     | Utilice solamente los clavos recomendados.                                                                  |
|                                                                          | Compruebe el funcionamiento del alimentador de clavos de acuerdo con la página 58       | Limpie y lubrique.                                                                                          |
|                                                                          | —                                                                                       | Utilice lubricante para herramientas neumáticas metabo HPT.                                                 |
|                                                                          | Compruebe la posición del soporte de clavos en el cargador de acuerdo con la página 53. | Ajuste el soporte de clavos en la posición apropiada.                                                       |
|                                                                          | ¿Está el anillo O del pistón cortado o muy gastado?                                     | Póngase en contacto con metabo HPT para reemplazarlo.                                                       |
| Clavos atascadas.<br>Los clavos se clavan doblados.                      | Compruebe si los clavos son los apropiados.                                             | Utilice solamente los clavos recomendados.                                                                  |
|                                                                          | ¿Está gastada la cuchilla impulsora?                                                    | Póngase en contacto con metabo HPT para reemplazarlo.                                                       |
| El funcionamiento es normal, pero no es posible clavar a gran velocidad. | Compruebe el diámetro interior de la manguera de aire.                                  | Utilice otra manguera de aire de mayor diámetro.                                                            |



| Item No. | Part Name                           | Q'TY |
|----------|-------------------------------------|------|
| 1        | HEX. SOCKET HD. BOLT M5 x 25        | 2    |
| 2        | TOP COVER                           | 1    |
| 4        | EXHAUST COVER (B)                   | 1    |
| 5        | HEX. SOCKET HD. BOLT M5 x 20        | 4    |
| 6        | PROTECTOR                           | 2    |
| 7        | BODY GUARD                          | 2    |
| 8        | GASKET (F)                          | 1    |
| 9        | PACKING (G)                         | 1    |
| 10       | EXHAUST VALVE                       | 1    |
| 11       | HEAD CAP                            | 1    |
| 12       | PISTON O-RING                       | 1    |
| 13       | PISTON (H)                          | 1    |
| 14       | O-RING (I.D. 64.5)                  | 3    |
| 15       | CYLINDER O-RING (D)                 | 1    |
| 16       | CYLINDER PLATE                      | 1    |
| 17       | CYLINDER                            | 1    |
| 18       | CYLINDER RING                       | 1    |
| 19       | CYLINDER SPRING                     | 1    |
| 20       | CYLINDER O-RING (A)                 | 1    |
| 21       | CYLINDER GUIDE                      | 1    |
| 22       | CYLINDER O-RING (B)                 | 1    |
| 23       | WARNING LABEL                       | 1    |
| 24       | BODY ASS'Y (INCLUD.41)              | 1    |
| 26       | CYLINDER O-RING (C)                 | 1    |
| 27       | PISTON BUMPER                       | 1    |
| 28       | BUMPER SHEET                        | 1    |
| 29       | GASKET (A)                          | 1    |
| 30       | HEX. SOCKET HD. BOLT M5 x 8         | 2    |
| 31       | GUARD                               | 1    |
| 32       | NOSE                                | 1    |
| 33       | NOSE GUARD                          | 2    |
| 34       | NYLOCK HEX. SOCKET HD. BOLT M5 x 16 | 4    |
| 35       | SAFETY BOLT                         | 1    |
| 36       | SPRING                              | 1    |
| 37       | NUT M5                              | 1    |
| 38       | PUSHING LEVER                       | 1    |
| 39       | MACHINE SCREW M5 x 22               | 1    |
| 40       | WASHER                              | 1    |
| 41       | GRIP RUBBER                         | 1    |
| 42       | GASKET (D)                          | 1    |
| 43       | CAP                                 | 1    |
| 44       | HEX. SOCKET HD. BOLT M5 x 16        | 3    |
| 45       | AIR PLUG NPT3/8                     | 1    |
| 46       | NAME PLATE                          | 1    |
| 47       | ROLL PIN D3 x 30                    | 2    |
| 48       | PLUNGER SPRING                      | 1    |
| 49       | PLUNGER O-RING                      | 2    |
| 50       | PLUNGER (A)                         | 1    |
| 51       | VALVE BUSHING (A)                   | 1    |
| 52       | O-RING (I.D. 10.7)                  | 2    |
| 53       | VALVE PACKING                       | 1    |
| 54       | URETHANE BALL (C) D7.14             | 1    |
| 55       | O-RING (S-12)                       | 1    |
| 56       | VALVE PLATE                         | 1    |
| 57       | TRIGGER VALVE BUSHING               | 1    |
| 58       | TRIGGER PLUNGER                     | 1    |
| 59       | TRIGGER SPRING (A)                  | 1    |
| 60       | TRIGGER                             | 1    |

| Item No. | Part Name                           | Q'TY |
|----------|-------------------------------------|------|
| 61       | PLUNGER (B)                         | 1    |
| 62       | VALVE RUBBER COVER                  | 1    |
| 63       | O-RING (P-9)                        | 1    |
| 64       | FEED PISTON O-RING (I.D. 14)        | 1    |
| 65       | FEED PISTON                         | 1    |
| 66       | FEED PISTON O-RING (I.D. 11)        | 1    |
| 67       | GASKET (E)                          | 1    |
| 68       | FEED PISTON COVER                   | 1    |
| 69       | MAGAZINE BUSHING                    | 1    |
| 70       | HEX. SOCKET HD. BOLT M5 x 10        | 2    |
| 71       | FEEDER SPRING                       | 1    |
| 72       | FEEDER (A)                          | 1    |
| 73       | FEEDER SHAFT                        | 1    |
| 74       | FEEDER SHAFT RING                   | 2    |
| 75       | SHAFT RING                          | 1    |
| 76       | NAIL GUIDE SHAFT                    | 1    |
| 77       | ADJUSTER                            | 1    |
| 78       | ADJUSTER SPRING                     | 1    |
| 79       | BOLT                                | 1    |
| 80       | ROLL PIN D3 x 28                    | 1    |
| 81       | MAIN NAIL STOPPER (A)               | 1    |
| 82       | NAIL STOPPER (A)                    | 1    |
| 83       | SUB STOPPER SPRING                  | 1    |
| 84       | NAIL GUIDE COVER                    | 1    |
| 85       | LOCK SHAFT                          | 1    |
| 86       | NAIL GUIDE                          | 1    |
| 87       | GUIDE LOCK (A)                      | 1    |
| 88       | ROLL PIN D3 x 10                    | 1    |
| 89       | SPRING                              | 1    |
| 90       | MAIN STOPPER SPRING                 | 1    |
| 91       | HEX. SOCKET HD. BOLT M4 x 6         | 2    |
| 92       | U-NUT M5                            | 3    |
| 93       | SLEEVE                              | 2    |
| 94       | RATCHET SPRING                      | 1    |
| 95       | NAIL HOLDER                         | 1    |
| 96       | MAGAZINE                            | 1    |
| 97       | PIN                                 | 1    |
| 98       | NYLON NUT M4                        | 1    |
| 99       | MAGAZINE GUARD                      | 1    |
| 100      | HEX. SOCKET HD. BOLT M5 x 14        | 2    |
| 101      | MAGAZINE COVER                      | 1    |
| 102      | HOLDER CAP                          | 1    |
| 103      | MACHINE SCREW M4 x 50               | 1    |
| 104      | SPRING WASHER M4                    | 1    |
| 105      | WASHER M4 (10 PCS.)                 | 1    |
| 106      | HOLDER SHAFT                        | 1    |
| 107      | PLATE NUT                           | 1    |
| 108      | GUIDE BASE                          | 1    |
| 109      | SHINGLE GUIDE                       | 1    |
| 110      | HEX. SOCKET HD. BOLT M5 x 10        | 1    |
| 111      | MAGAZINE ASS'Y (INCLUD.74,92 - 106) | 1    |
| 501      | SAFETY GLASSES                      | 1    |

Issued by

**Koki Holdings Co., Ltd.**

Shinagawa Intercity Tower A, 15-1, Konan 2-chome,  
Minato-ku, Tokyo 108-6020, Japan

Distributed by

**Koki Holdings America Ltd.**

1111 Broadway Ave,  
Braselton, Georgia, 30517

**Koki Holdings America Ltd. Canadian Branch**

3405 American Drive, Units 9-10,  
Mississauga, ON, L4V 1T6

806

Code No. C99209062 T  
Printed in Taiwan