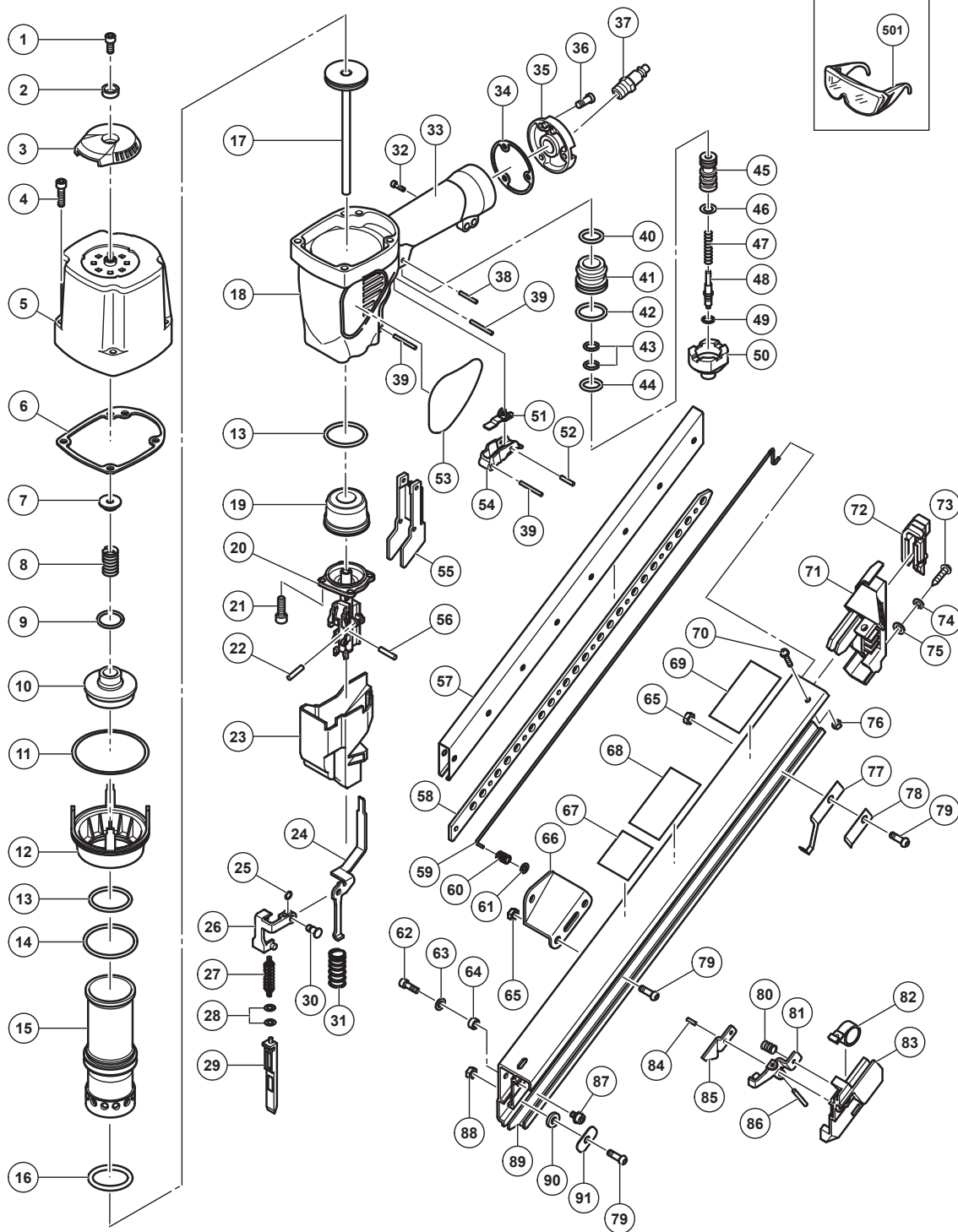


## PNEUMATIC TOOL PARTS LIST

■ STRIP NAILER  
Model NR 65AK2

2014·1·24

(E1)



**PARTS**

NR 65AK2

ITEM NO.	CODE NO.	DESCRIPTION	NO. USED	REMARKS
1	949657	HEX. SOCKET HD. BOLT M6 X 12 (10 PCS.)	1	
2	880515	PLATE	1	
3	884332	TOP COVER	1	
4	949822	HEX. SOCKET HD. BOLT M5 X 35 (10 PCS.)	4	
5	883451	EXHAUST COVER	1	
6	883452	GASKET (B)	1	
7	882914	HEAD BUMPER	1	
8	882913	HEAD VALVE SPRING	1	
9	883992	O-RING (I.D. 20.8)	1	
10	882927	HEAD VALVE (A)	1	
11	878863	O-RING (S-70)	1	
12	882910	CYLINDER PLATE	1	
13	887176	O-RING	2	
14	877368	O-RING (1AP-48)	1	
15	883989	CYLINDER	1	
16	883431	O-RING (I.D 37)	1	
17	883471	PISTON (H)	1	
18	885516	BODY ASS'Y	1	INCLUD.33
19	883432	PISTON BUMPER	1	
20	888209	NOSE	1	
21	880675	NYLOCK HIGH TENSION BOLT M6 X 20	4	
22	949535	ROLL PIN D3 X 12 (10 PCS.)	1	
23	883447	GUARD	1	
24	888210	PUSHING LEVER (C)	1	
25	873093	O-RING (1AP-3)	1	
26	883444	PUSHING LEVER (B)	1	
27	883470	SPRING	1	
28	874436	O-RING (P-4)	2	
29	883635	PUSHING LEVER (A)	1	
30	883448	PIN (A)	1	
31	883446	PUSHING LEVER SPRING	1	
32	880474	NYLOCK BOLT (W/FLANGE) M6 X 16	1	
33		GRIP RUBBER	1	SUPPLIED WITH ITEM NO.601,602
34	884342	GASKET (B)	1	
35	881949	CAP	1	
36	949821	HEX. SOCKET HD. BOLT M5 X 16 (10 PCS.)	3	
37	887863	AIR PLUG NPT 3/8	1	
38	949864	ROLL PIN D3 X 22 (10 PCS.)	1	
39	887846	ROLL PIN D3 X 28	3	
40	877699	HEAD VALVE O-RING (I.D 16.8)	1	
41	878881	VALVE BUSHING (B)	1	
42	878885	O-RING (S-18)	1	
43	878925	O-RING (I.D 8.8)	2	
44	878887	O-RING (I.D 11)	1	
45	880672	VALVE PISTON (B)	1	
46	981317	O-RING (S-4)	1	
47	883453	PLUNGER SPRING (B)	1	
48	880673	PLUNGER (A)	1	
49	878888	O-RING (I.D. 1.8)	1	
50	882920	VALVE BUSHING (A)	1	

**PARTS**

NR 65AK2

ITEM NO.	CODE NO.	DESCRIPTION	NO. USED	REMARKS
51	883454	TRIGGER ARM	1	
52	881951	ROLL PIN D2.5 X 16	1	
53		NAME PLATE	1	
54	888207	TRIGGER (E)	1	
55	883455	PUSHING LEVER GUIDE	1	
56	883438	PIN	1	
* 57	883458	NAIL RAIL	1	
* 57	883639	NAIL RAIL (S)	1	FOR (S)
* 58	883459	GUIDE PLATE	2	
* 58	883472	GUIDE PLATE (A)	2	FOR (S)
* 59	883460	SHAFT	1	
* 59	883641	SHAFT	1	FOR (S)
60	883467	SPRING	1	
61	883465	WASHER	1	
62	880630	NYLOCK HEX. SOCKET HD. BOLT M4 X 12	1	
63	962569	WASHER (B)	1	
64	883442	SLEEVE	1	
* 65	963837	NYLON NUT M6	3	
* 65	963837	NYLON NUT M6	2	FOR (S)
66	883464	HANDLE ARM	1	
67	888211	WARNING LABEL	1	
68	883466	WARNING LABEL	1	
69		LABEL	1	
70	881772	MACHINE SCREW (W/WASHER) M5 X 16 (BLACK)	1	
71	883461	MAGAZINE COVER	1	
72	883462	NAIL GATE	1	
73	302086	TAPPING SCREW (W/FLANGE) D4 X 20 (BLACK)	1	
74	949454	SPRING WASHER M5 (10 PCS.)	1	
75	949424	WASHER M5 (10 PCS.)	1	
76	877371	NYLON NUT M5	1	
77	883643	NAIL STOPPER (A)	1	
78	883642	BACK PLATE	1	
* 79	878647	HEX. SOCKET HD. BOLT M6 X 12	4	
* 79	878647	HEX. SOCKET HD. BOLT M6 X 12	3	FOR (S)
80	883441	FEEDER SPRING	1	
81	883437	FEEDER PLATE	1	
82	883440	RIBBON SPRING	1	
83	883436	NAIL FEEDER	1	
84	887458	ROLL PIN D3 X 10 (10 PCS.)	2	
85	883439	PUSHING LEVER STOPPER	1	
86	883438	PIN	1	
* 87	305735	HEX. SOCKET HD. BOLT (W/FLANGE) M4 X 6	7	
* 87	305735	HEX. SOCKET HD. BOLT (W/FLANGE) M4 X 6	5	FOR (S)
88	963837	NYLON NUT M6	1	
* 89	883457	MAGAZINE	1	
* 89	883638	MAGAZINE (S)	1	FOR (S)
90	883434	MAGAZINE RING	1	
91	883435	MAGAZINE PLATE	1	

