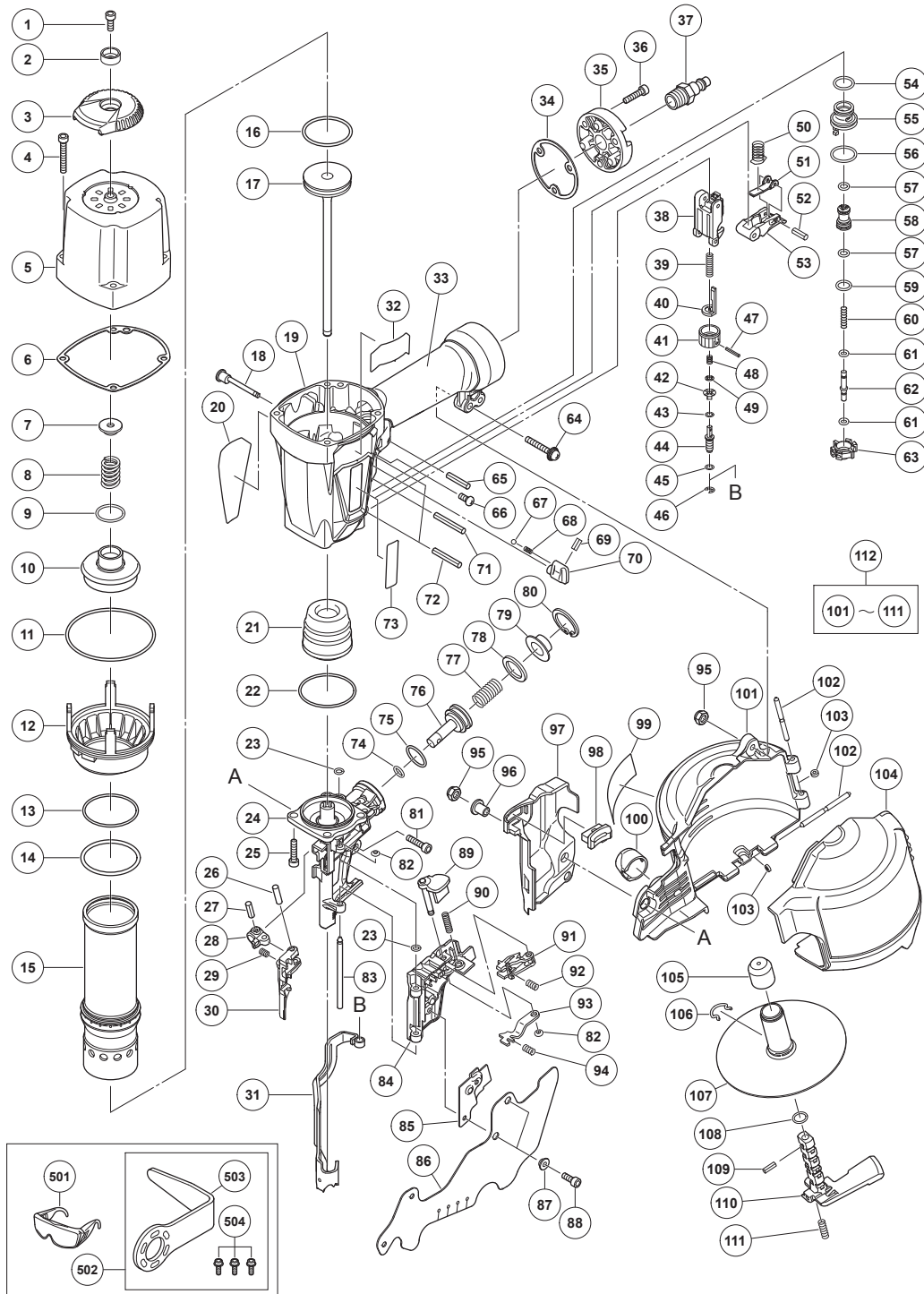


PNEUMATIC TOOL PARTS LIST

■ COIL NAILER
Model NV 75A5

2019 · 2 · 12

(E1)



PARTS

NV 75A5

ITEM NO.	CODE NO.	DESCRIPTION	NO. USED	REMARKS
1	888792	HEX. SOCKET HD. BOLT M6 X 12	1	
2	880515	PLATE	1	
3	884332	TOP COVER	1	
4	949822	HEX. SOCKET HD. BOLT M5 X 35 (10 PCS.)	4	
5	883451	EXHAUST COVER	1	
6	883452	GASKET (B)	1	
7	882914	HEAD BUMPER	1	
8	882913	HEAD VALVE SPRING	1	
9	883992	O-RING (I.D. 20.8)	1	
10	882927	HEAD VALVE (A)	1	
11	878863	O-RING (S-70)	1	
12	882910	CYLINDER PLATE	1	
13	887176	O-RING	1	
14	877368	O-RING (1AP-48)	1	
15	883989	CYLINDER	1	
16	883431	O-RING (I.D 37)	1	
17	890065	PISTON	1	
18	888798	CHANGE ROD (D)	1	
19	890087	BODY ASS'Y	1	INCLUD.33
20	890198	WARNING LABEL	1	
21	883432	PISTON BUMPER	1	
22	887176	O-RING	1	
23	874436	O-RING (P-4)	2	
24	890066	NOSE	1	
25	880675	NYLOCK HIGH TENSION BOLT M6 X 20	4	
26	943364	NEEDLE ROLLER D4 X 20	1	
27	949497	ROLL PIN D4 X 16 (10 PCS.)	1	
28	878132	FEEDER ARM	1	
29	888108	FEEDER SPRING	1	
30	890075	FEEDER	1	
31	890078	PUSHING LEVER (A)	1	
32	890199M	NAME PLATE	1	
33		GRIP RUBBER	1	SUPPLIED WITH ITEM NO.601,602
34	889080	GASKET (H)	1	
35	889079	CAP (B)	1	
36	949658	HEX. SOCKET HD. BOLT M5 X 18 (10 PCS.)	3	
37	887863	AIR PLUG NPT 3/8	1	
38	887672	PUSHING LEVER GUIDE (D)	1	
39	882892	PUSHING LEVER SPRING	1	
40	887664	PUSHING LEVER (D)	1	
41	886872	ADJUSTER	1	
42	886868	ADJUSTER PLATE (A)	1	
43	888785	O-RING D3.5	1	
44	890079	PUSHING LEVER (B)	1	
45	872822	O-RING (S-5)	1	
46	872971	RETAINING RING (E-TYPE) FOR D3 SHAFT	1	
47	886873	ROLL PIN D2 X 16	1	
48	886870	ADJUSTER SPRING	1	
49	886869	ADJUSTER PLATE (C)	1	
50	887682	TRIGGER ARM SPRING	1	

PARTS

NV 75A5

ITEM NO.	CODE NO.	DESCRIPTION	NO. USED	REMARKS
51	887755	TRIGGER ARM (D)	1	
52	881951	ROLL PIN D2.5 X 16	1	
53	887695	TRIGGER (D)	1	
54	877763	FEED PISTON O-RING (I.D. 14)	1	
55	884963	VALVE BUSHING (B)	1	
56	873570	O-RING (P-18)	1	
57	889335	O-RING (P-7)	2	
58	884964	VALVE PISTON	1	
59	889495	O-RING (1AP-10)	1	
60	887178	PLUNGER SPRING	1	
61	878888	O-RING (I.D. 1.8)	2	
62	884965	PLUNGER	1	
63	884962	VALVE BUSHING (A)	1	
64	890081	MACHINE SCREW (W/WASHERS)M5 X 30	1	
65	887621	ROLL PIN D3 X 25	1	
66	949202	MACHINE SCREW M3 X 6 (10 PCS.)	1	
67	959155	STEEL BALL D3.97 (10 PCS.)	1	
68	887673	SPRING	1	
69	887458	ROLL PIN D3 X 10 (10 PCS.)	1	
70	887674	CHANGE KNOB (D)	1	
71	887675	ROLL PIN D3 X 35	1	
72	371080	ROLL PIN D3 X 32	2	
73	890200M	BRAND LABEL	1	
74	872645	O-RING (P-9)	1	
75	880330	O-RING (P-21)	1	
76	890076	FEED PISTON	1	
77	890077	FEED SPRING	1	
78	877711	BUMPER	1	
79	880331	FEED PISTON COVER	1	
80	888028	RETAINING RING	1	
81	949757	HEX. SOCKET HD. BOLT M5 X 20 (10 PCS.)	1	
82	880319	SHAFT RING	2	
83	890074	NAIL GUIDE SHAFT	1	
84	890067	NAIL GUIDE	1	
85	890071	NAIL GUIDE COVER	1	
86	890072	COVER	1	
87	890073	SLEEVE (B)	2	
88	880630	NYLOCK HEX. SOCKET HD. BOLT M4 X 12	2	
89	886107	GUIDE LOCK	1	
90	880446	SPRING	1	
91	890068	NAIL STOPPER (A)	1	
92	890070	STOPPER SPRING (A)	1	
93	890069	NAIL STOPPER (B)	1	
94	888038	STOPPER SPRING	1	
95	877371	NYLON NUT M5	2	
96	882907	SLEEVE	1	
97	890080	PUSHING LEVER COVER	1	
98	882901	PROTECTOR (B)	1	
99	888266	LABEL	1	
100	883106	NOSE CAP (A)	1	

PARTS

NV 75A5

ITEM NO.	CODE NO.	DESCRIPTION	NO. USED	REMARKS	
101	890083	MAGAZINE	1		
102	883111	PIN	2		
103	877826	FEEDER SHAFT RING	2		
104	890084	MAGAZINE COVER	1		
105	888020	HOLDER CAP (A)	1		
106	880398	RATCHET SPRING	1		
107	890086	NAIL HOLDER	1		
108	872645	O-RING (P-9)	1		
109	878791	ROLL PIN D2.5 X 12	1		
110	890085	HOLDER SHAFT (A)	1		
111	881826	SPRING	1		
112	890082	MAGAZINE ASS'Y	1	INCLUD.101-111	

STANDARD ACCESSORIES

ITEM NO.	CODE NO.	DESCRIPTION	NO. USED	REMARKS	
501	875769	PROTECTIVE GLASSES	1		
502	889661M	HOOK ASS'Y	1	INCLUD.503,504	
503	889663	HOOK	1		
504	880219	HEX. SOCKET HD. BOLT (W/FLANGE) M5 X 16	3		

OPTIONAL ACCESSORIES

ITEM NO.	CODE NO.	DESCRIPTION	NO. USED	REMARKS	
601	881768	GRIP TAPE (A)	1		
602	888213	TAPE (2 PCS.)	2		
603	877153	PNEUMATIC TOOL LUBRICANT (30CC)	1		
604	874042	PNEUMATIC TOOL LUBRICANT (120CC)	1		
605	876212	PNEUMATIC TOOL LUBRICANT (1L)	1		
606	317918	GREASE (ATTOLUB NO.2) 500G	1		