

SLS20XP

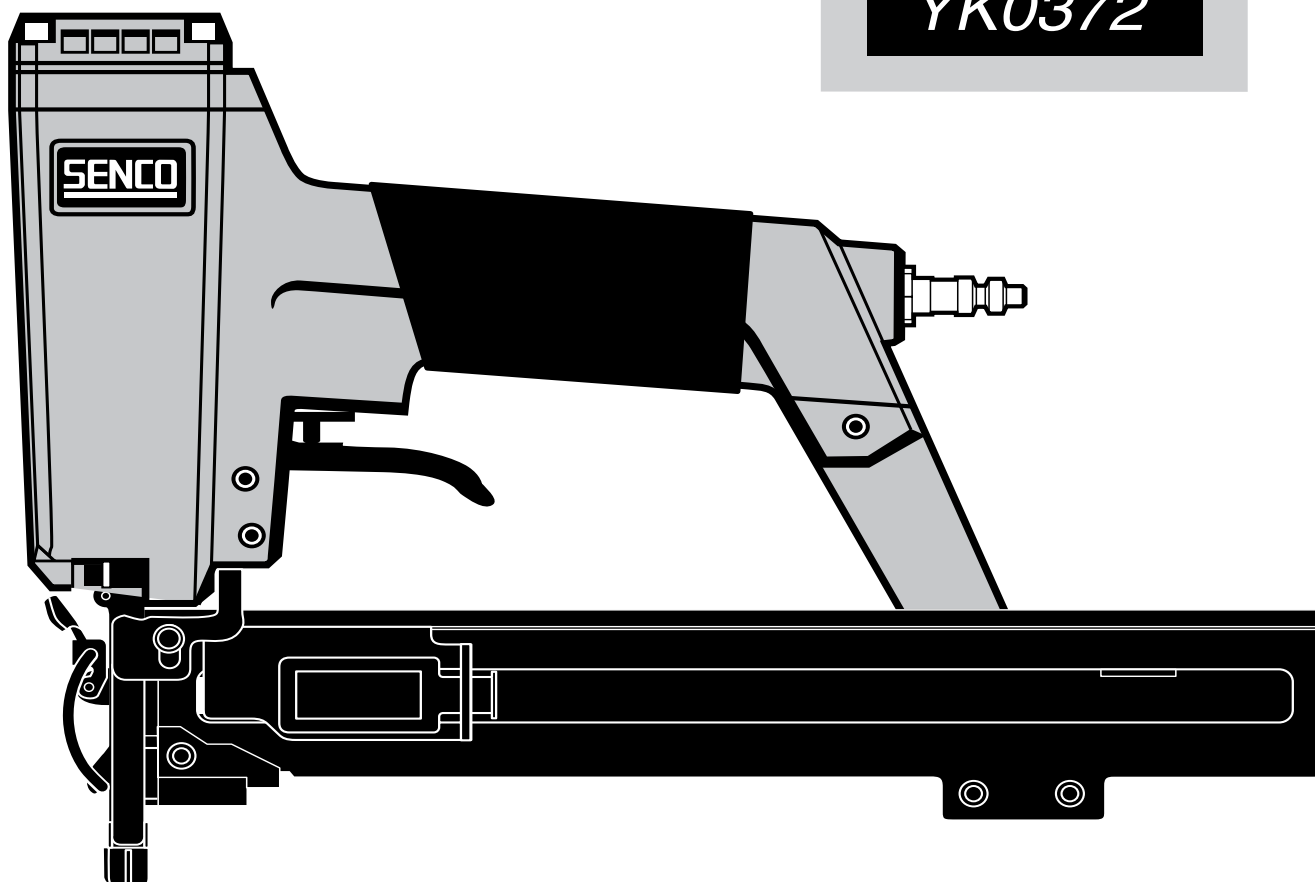


Parts Reference Guide



Repair Kit

YK0372



* Schematic drawings inside

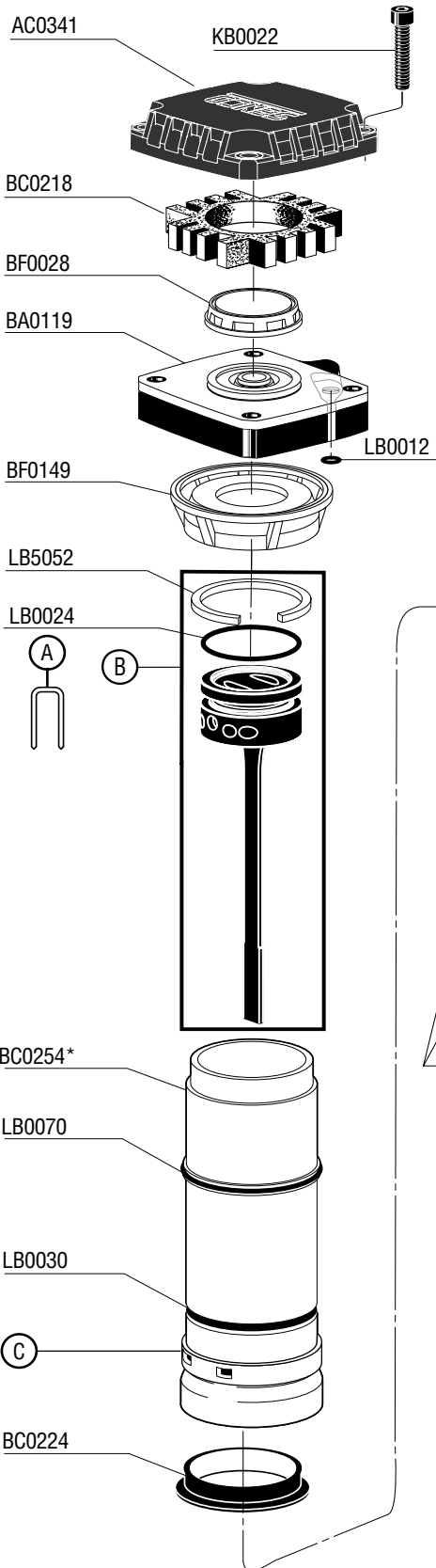
Senco Products, Inc.
8485 Broadwell Rd.
Cincinnati, OH 45244
Visit our Website: www.senco.com

Questions? Comments? call Senco's toll-free Action-line:
1-800-543-4596 (North & South America only)
or e-mail: toolprof@senco.com

SLS20XP

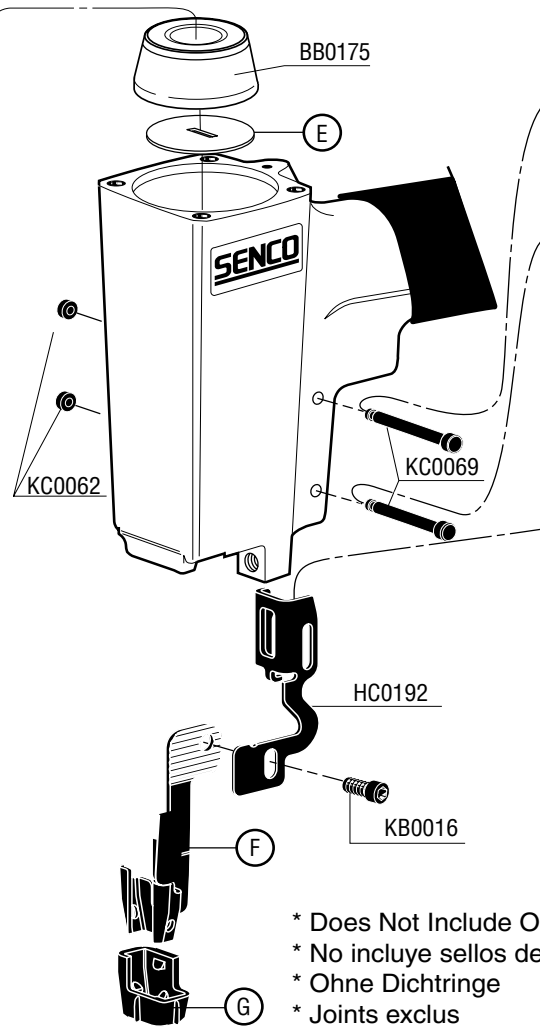
SENCO®

SSA - Single Sequential Actuation
CA - Contact Actuation



| US Model | Euro | A | B | C | E | F | G | H | I | J |
|-------------|-------------|---------|-----------------|--------|--------|--------|--------|--------|--------|--------|
| 490101N SSA | 492001N CA | K06-K14 | EA0076 | | BF0210 | HB0232 | HF0028 | FC0363 | FC0250 | GC0599 |
| | 492002N SSA | K06-K14 | EA0076 | | BF0210 | HB0232 | HF0028 | FC0363 | FC0250 | GC0599 |
| 490103N SSA | 492003N CA | L06-L17 | EA0077 | | BF0210 | HB0232 | HF0028 | FC0359 | FC0233 | GC0566 |
| | 492004N SSA | L06-L17 | EA0077 | | BF0210 | HB0232 | HF0028 | FC0359 | FC0233 | GC0566 |
| 490105N SSA | 492005N CA | L06-L17 | EA0077 | - | BF0210 | HB0232 | HF0028 | FC0359 | FC0233 | GC0566 |
| | 492006N SSA | L06-L17 | EA0077 | - | BF0210 | HB0232 | HF0028 | FC0359 | FC0233 | GC0566 |
| 490107N SSA | 492007N CA | M06-M17 | EA0078 | - | BF0211 | HB0233 | HF0029 | FC0359 | FC0251 | GC0566 |
| | 492008N SSA | M06-M17 | EA0078 | - | BF0211 | HB0233 | HF0029 | FC0359 | FC0251 | GC0566 |
| 490111N SSA | 492011N CA | R06-R13 | EA0108 1/8"CSK | BF0129 | BF0210 | HB0232 | HF0028 | FC0363 | FC0349 | GC0599 |
| | 492012N SSA | R06-R13 | EA0108 1/8"CSK | BF0129 | BF0210 | HB0232 | HF0028 | FC0363 | FC0349 | GC0599 |
| | | | EA0109 3/16"CSK | - | BF0210 | HB0232 | HF0028 | FC0363 | FC0349 | GC0599 |
| 490013N SSA | 492013N CA | M06-M17 | EA0078 | | BF0211 | HB0233 | HF0029 | FC0359 | FC0251 | GC0566 |
| | 492014N SSA | M06-M17 | EA0078 | | BF0211 | HB0233 | HF0029 | FC0359 | FC0251 | GC0566 |
| 490017N SSA | 492017N CA | K06-K14 | EA0076 | | BF0210 | HB0232 | HF0028 | FC0363 | FC0250 | GC0566 |
| | 492018N SSA | K06-K14 | EA0076 | | BF0210 | HB0232 | HF0028 | FC0363 | FC0250 | GC0566 |

| US Model | Euro | A | K | L | M | N | O | P | Q |
|-------------|--|---------|--------|--------|--------|--------|--------|--------|--------|
| 490101N SSA | 492001N Contact Actuation | K06-K14 | GC0564 | FA0164 | - | GC0568 | KB0017 | GC0578 | - |
| | 492002N Single Sequential Actuation | K06-K14 | GC0564 | FA0164 | - | GC0568 | KB0017 | GC0578 | - |
| 490103N SSA | 492003N Contact Actuation | L06-L17 | GC0564 | FA0161 | - | GC0568 | KB0017 | GC0565 | - |
| | 492004N Single Sequential Actuation | L06-L17 | GC0564 | FA0161 | - | GC0568 | KB0017 | GC0565 | - |
| 490105N SSA | 492005N Contact Actuation | L06-L17 | GC0564 | FA0161 | - | GC0568 | KB0017 | GC0565 | - |
| | 492006N Single Sequential Actuation w/Case | L06-L17 | GC0564 | FA0161 | - | GC0568 | KB0017 | GC0565 | - |
| 490107N SSA | 492007N Contact Actuation | M06-M17 | GC0581 | GC0572 | FC0283 | GC0586 | KB3265 | GC0579 | GC0619 |
| | 492008N Single Sequential Actuation | M06-M17 | GC0581 | GC0572 | FC0283 | GC0586 | KB3265 | GC0579 | GC0619 |
| 490111N SSA | 492011N Contact Actuation | R06-R13 | GC0564 | FA0163 | - | GC0568 | KB0017 | GC0594 | - |
| | 492012N Single Sequential Actuation | R06-R13 | GC0564 | FA0163 | - | GC0568 | KB0017 | GC0594 | - |
| 490013N SSA | 492013N Contact Actuation w/Case | M06-M17 | GC0581 | GC0572 | FC0283 | GC0586 | KB3265 | GC0579 | GC0619 |
| | 492014N Single Sequential Actuation w/Case | M06-M17 | GC0581 | GC0572 | FC0283 | GC0586 | KB3265 | GC0579 | GC0619 |
| 490017N SSA | 492017N Contact Actuation w/Case | K06-K14 | GC0564 | FA0164 | - | GC0568 | KB0017 | GC0578 | - |
| | 492018N Single Sequential Actuation w/Case | K06-K14 | GC0564 | FA0164 | - | GC0568 | KB0017 | GC0578 | - |



Available Triggers

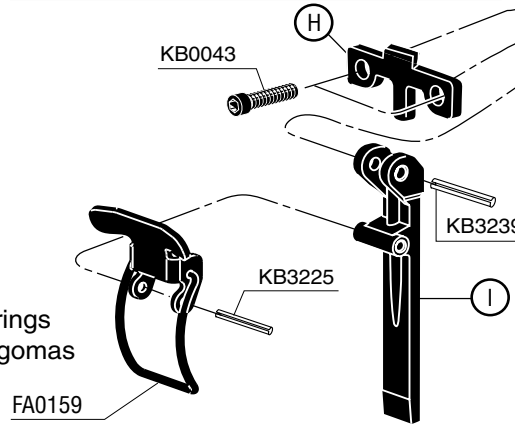
HC0335 KB3495
HC0217 HF0024

Contact Actuation HA0087

KB4130 HC0053
KB3495
KB4131

HC0193 KB4211 HF0099

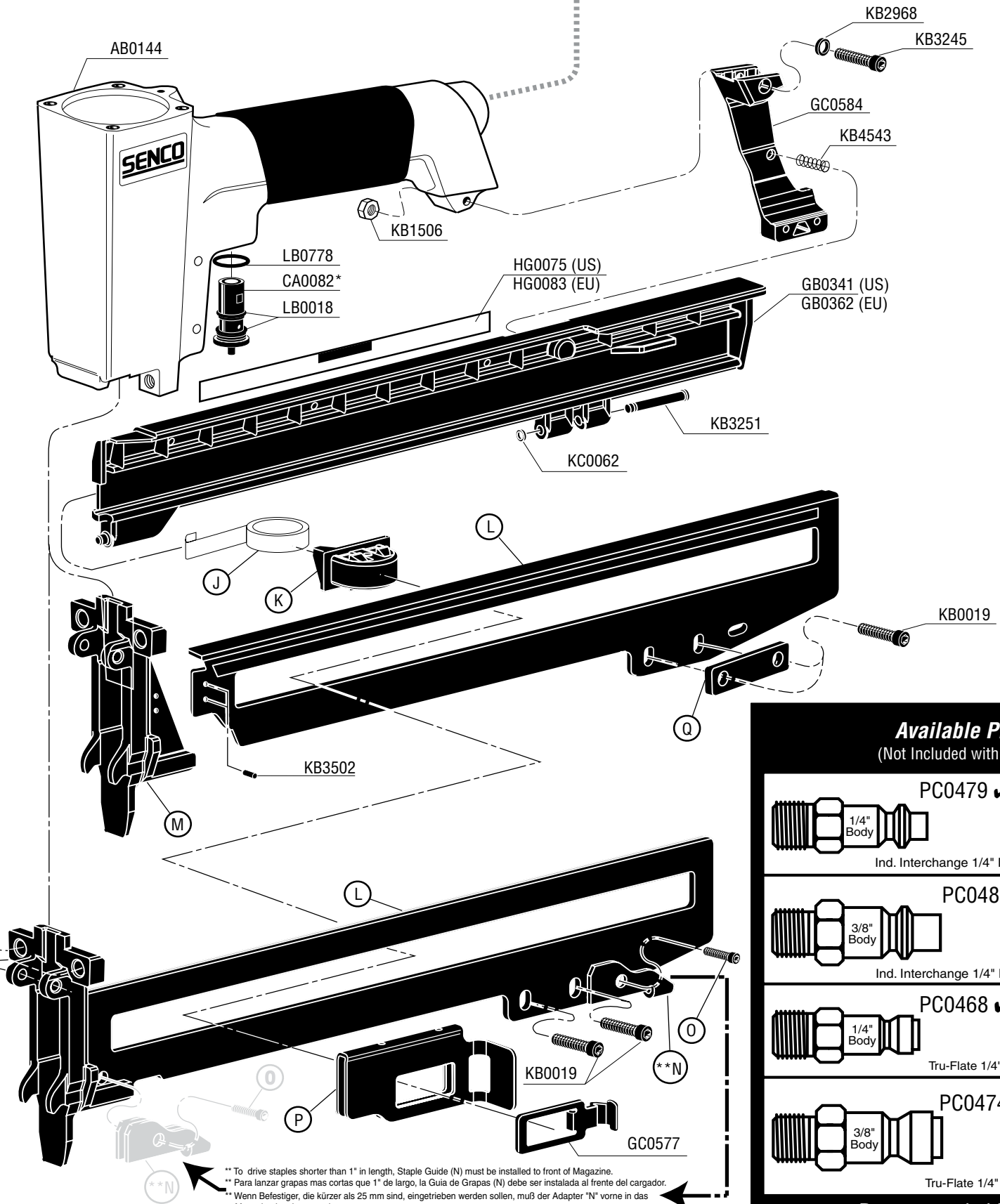
Single Sequential Actuation HA0086



- * Does Not Include O-rings
- * No incluye sellos de gomas
- * Ohne Dichtringe
- * Joints exclus

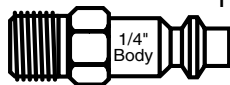
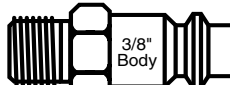
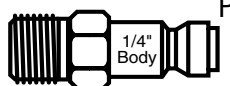

SLS20XP

SENCO[®]



MFG049 Revised August 25, 2008 (Replaces 9/13/07) ©1986, 2008 by SENCO Products, Inc. Cincinnati, Ohio 45244 - U.S.A.

Available Plugs (Not Included with Tool)

| | |
|---|----------|
|  | PC0479 ✓ |
| 1/4" Body | |
| Ind. Interchange 1/4" NPT | |
|  | PC0486 |
| 3/8" Body | |
| Ind. Interchange 1/4" NPT | |
|  | PC0468 ✓ |
| 1/4" Body | |
| Tru-Flate 1/4" NPT | |
|  | PC0474 |
| 3/8" Body | |
| Tru-Flate 1/4" NPT | |

✓ **Recommended Plugs**
Plugs shown smaller than actual size

** To drive staples shorter than 1" in length, Staple Guide (N) must be installed to front of Magazine.
 ** Para lanzar grapas mas cortas que 1" de largo, la Guia de Grapas (N) debe ser instalada al frente del cargador.
 ** Wenn Befestiger, die kürzer als 25 mm sind, eingetrieben werden sollen, muß der Adapter "N" vorne in das Magazin eingebaut werden.
 ** Pour le passage d'agrafes plus courtes que 25 mm (<1"), le guide agrafes (ou insert de magasin) doit être installé sur la partie avant du magasin.

| PART NO. | DESCRIPTION | DESCRIPCIÓN | BESCHREIBUNG | DÉSIGNATION |
|----------|-----------------|--------------------|------------------------|---------------------|
| AB0144 | MAIN BODY ASSY. | ASAMBLE DE CARCASA | GEHÄUSE-ZUSAMMENBAU | CORPS D'ASSEMBLÉE |
| AC0341 | DEFLECTOR | DESVIADOR | ABWEISER | DÉFLECTEUR |
| BA0119 | VALVE ASSY. | ASAMBLE DE VÁLVULA | VENTIL-ZUSAMMENBAU | VALVE D'ASSEMBLÉE |
| BB0175 | STOP | TOPE | PUFFER | ARRÊT |
| BC0218 | MUFFLER | SILENCIADOR | DÄMPFER | SILENCIEUX |
| BC0224 | INSERT | ACOPLAMIENTO | EINSATZ | INSERT |
| BC0254 | CYLINDER | CILINDRO | ZYLINDER | CYLINDRE |
| BF0028 | SEAL | SELLO | DICHTUNG | JOINT |
| BF0129 | RING | ANILLO | REIFEN | ANNEAU |
| BF0149 | RETAINER | JUNTA TÓRICA | SICHERUNGSRING | RETENUE |
| BF0210 | SEAL | SELLO | DICHTUNG | JOINT |
| BF0211 | SEAL | SELLO | DICHTUNG | JOINT |
| CA0082 | VALVE ASSY. | ASAMBLE DE VÁLVULA | VENTIL-ZUSAMMENBAU | VALVE D'ASSEMBLÉE |
| EA0076 | PISTON ASSY. | ASAMBLE DE PISTON | KOLBEN-ZUSAMMENBAU | PISTON D'ASSEMBLÉE |
| EA0077 | PISTON ASSY. | ASAMBLE DE PISTON | KOLBEN-ZUSAMMENBAU | PISTON D'ASSEMBLÉE |
| EA0078 | PISTON ASSY. | ASAMBLE DE PISTON | KOLBEN-ZUSAMMENBAU | PISTON D'ASSEMBLÉE |
| EA0108 | PISTON ASSY. | ASAMBLE DE PISTON | KOLBEN-ZUSAMMENBAU | PISTON D'ASSEMBLÉE |
| EA0109 | PISTON ASSY. | ASAMBLE DE PISTON | KOLBEN-ZUSAMMENBAU | PISTON D'ASSEMBLÉE |
| FA0159 | LATCH | UÑETA | VERSCHLUSS | DOIGT DE RETENUE |
| FA0161 | RAIL ASSY. | ASAMBLE DE CARRIL | SCHIENE-ZUSAMMENBAU | RAIL D'ASSEMBLÉE |
| FA0163 | RAIL ASSY. | ASAMBLE DE CARRIL | SCHIENE-ZUSAMMENBAU | RAIL D'ASSEMBLÉE |
| FA0164 | RAIL ASSY. | ASAMBLE DE CARRIL | SCHIENE-ZUSAMMENBAU | RAIL D'ASSEMBLÉE |
| FC0233 | DOOR | PUERTA | ABDECKSCHIEBER | PORTE |
| FC0250 | DOOR | PUERTA | ABDECKSCHIEBER | PORTE |
| FC0251 | DOOR | PUERTA | ABDECKSCHIEBER | PORTE |
| FC0283 | PLATE | PLACA | PLATTE | PLAQUE |
| FC0349 | DOOR | PUERTA | ABDECKSCHIEBER | PORTE |
| FC0359 | PLATE | PLACA | PLATTE | PLAQUE |
| FC0363 | PLATE | PLACA | PLATTE | PLAQUE |
| GB0362 | DOOR | PUERTA | ABDECKSCHIEBER | PORTE |
| GC0564 | COVER | CUBIERTA | ABDECKUNG | COUVERCLE |
| GC0565 | FEEDER SHOE | ALIMENTADOR | NAGELSCHIEBER | POUSSOIR |
| GC0566 | SPRING | MUELLE | FEDER | RESSORT |
| GC0568 | GUIDE | GUÍA | FÜHRUNG | GUIDE |
| GC0572 | RAIL | CARRIL | SCHIENE | RAIL |
| GC0577 | LATCH | UÑETA | VERSCHLUSS | DOIGT DE RETENUE |
| GC0579 | FEEDER SHOE | ALIMENTADOR | NAGELSCHIEBER | POUSSOIR |
| GC0581 | COVER | CUBIERTA | ABDECKUNG | COUVERCLE |
| GC0584 | SUPPORT | SOPORTE | TRAGER | SUPPORT |
| GC0586 | GUIDE | GUÍA | FÜHRUNG | GUIDE |
| GC0594 | FEEDER SHOE | ALIMENTADOR | NAGELSCHIEBER | POUSSOIR |
| GC0599 | SPRING | MUELLE | FEDER | RESSORT |
| GC0619 | PLATE | PLACA | PLATTE | PLAQUE |
| HA0086 | TRIGGER ASSY. | ASAMBLE DE GATILLO | AUSLÖSER-ZUSAMMENBAU | GACHETTED'ASSEMBLÉE |
| HA0087 | TRIGGER ASSY. | ASAMBLE DE GATILLO | AUSLÖSER-ZUSAMMENBAU | GACHETTED'ASSEMBLÉE |
| HB0232 | SAFETY ELEMENT | SEGURO | SICHERHEITSVORRICHTUNG | PALPEUR DE SÉCURITÉ |
| HB0233 | SAFETY ELEMENT | SEGURO | SICHERHEITSVORRICHTUNG | PALPEUR DE SÉCURITÉ |
| HC0053 | TRIGGER | GATILLO | AUSLÖSER | GACHETTE |
| HC0192 | SAFETY ELEMENT | SEGURO | SICHERHEITSVORRICHTUNG | PALPEUR DE SÉCURITÉ |
| HC0193 | GUIDE | GUÍA | FÜHRUNG | GUIDE |
| HC0217 | GUIDE | GUÍA | FÜHRUNG | GUIDE |
| HC0335 | TRIGGER | GATILLO | AUSLÖSER | GACHETTE |
| HF0024 | TRIGGER | GATILLO | AUSLÖSER | GACHETTE |
| HF0028 | CUSHION | AMORTIGUADOR | SCHUTZ | COUSSIN |
| HF0029 | CUSHION | AMORTIGUADOR | SCHUTZ | COUSSIN |
| HF0099 | TRIGGER | GATILLO | AUSLÖSER | GACHETTE |
| HG0075 | LABEL (US) | ETIQUETA | AUFKLEBER | ETIQUETTE |
| HG0083 | LABEL (EU) | ETIQUETA | AUFKLEBER | ETIQUETTE |
| KB0016 | SCREW | TORNILLO | SCHRAUBE | VIS |
| KB0017 | SCREW | TORNILLO | SCHRAUBE | VIS |
| KB0019 | SCREW | TORNILLO | SCHRAUBE | VIS |
| KB0022 | SCREW | TORNILLO | SCHRAUBE | VIS |
| KB0043 | SCREW | TORNILLO | SCHRAUBE | VIS |
| KB1506 | NUT | TUERCA | MUTTER | ÉCROU |
| KB2968 | WASHER | ARANDELA | SCHEIBE | RONDELLE |
| KB3225 | PIN | PASADOR | STIFT | GOUPILLE |
| KB3239 | PIN | PASADOR | STIFT | GOUPILLE |
| KB3245 | SCREW | TORNILLO | SCHRAUBE | VIS |
| KB3251 | RETAINER | JUNTA TÓRICA | SICHERUNGSRING | RETENUE |
| KB3265 | SCREW | TORNILLO | SCHRAUBE | VIS |
| KB3495 | PIN | PASADOR | STIFT | GOUPILLE |
| KB3502 | PIN | PASADOR | STIFT | GOUPILLE |
| KB4130 | SPRING | MUELLE | FEDER | RESSORT |
| KB4131 | SPRING | MUELLE | FEDER | RESSORT |
| KB4211 | SPRING | MUELLE | FEDER | RESSORT |
| KB4543 | SPRING | MUELLE | FEDER | RESSORT |
| KC0062 | RETAINER | JUNTA TÓRICA | SICHERUNGSRING | RETENUE |
| KC0069 | PIN | PASADOR | STIFT | GOUPILLE |
| LB0012 | SEAL | SELLO | DICHTUNG | JOINT |
| LB0018 | SEAL | SELLO | DICHTUNG | JOINT |
| LB0024 | SEAL | SELLO | DICHTUNG | JOINT |
| LB0030 | SEAL | SELLO | DICHTUNG | JOINT |
| LB0070 | SEAL | SELLO | DICHTUNG | JOINT |
| LB0778 | SEAL | SELLO | DICHTUNG | JOINT |
| LB5052 | SEAL | SELLO | DICHTUNG | JOINT |